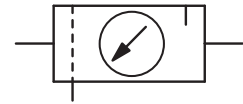


Cube FRL Service Unit

C36 / C76 / C106

Description	Modular cube FRL service unit of modern design. Equipped with pressure gauge.	
Media	compressed air or non-corrosive gases	
Supply pressure	max. 11 bar for plastic bowl,	max. 17 bar for metal bowl with sight glass
Adjustment	by plastic knob with snap-lock	
Relieving function	relieving, optionally non-relieving	
Gauge port	G $\frac{1}{8}$ at C36 and C76, G $\frac{1}{4}$ at C106, on both sides of the body, one screw plug supplied	
Filter element	20 μ m or 40 μ m, optionally 5 μ m or 20 μ m, made of polypropylene	
Bowl	plastic version with or without bowl guard,	metal version with or without all-around sight glass
Drainage	manual drain as standard for max. 21 bar,	automatic or semiautomatic drain as option for max. 12 bar
Temperature range	0 °C to 50 °C / 32 °F to 122 °F for plastic bowl and automatic or semiautomatic drain version 0 °C to 70 °C / 32 °F to 158 °F for metal bowl with sight glass	
Material	Body: zinc die-cast at C36 and C76, aluminium at C106 Elastomer: NBR/Buna-N Inner valve: brass	aluminium at C106 Spring cage: glass fibre-reinforced plastic Bowl: polyurethane or zinc die-cast



G $\frac{1}{8}$ up to G $\frac{3}{4}$

Dimensions			Combination	Bowl	Filter	Flow	Connection	Order
A	B	C	consisting	design	element	rate	thread	number
mm	mm	mm	of	made of / with	μ m	m 3 /h*1 l/min*1	G	

FRL unit, 2-part C36 / C76 / C106

P $_1$: max. 11 / 17 bar, P $_2$: 0.3...9 bar, 20 / 40 μ m, manual drain, relieving, with pressure gauge

81	178	108	B+L36	plastic	20	51	850	G $\frac{1}{8}$	C 36-01BL-A C 36-01BL-W
				metal/sight glass					C 36-02BL-A C 36-02BL-W
112	208	138	B+L76	plastic	40	102	1700	G $\frac{3}{8}$	C 76-03BL-A C 76-03BL-W
				metal/sight glass					C 76-04BL-A C 76-04BL-W
136	262	169	B+L106	plastic	40	222	3700	G $\frac{1}{2}$	C106-04BL-A C106-04BL-W
				metal/sight glass					C106-06BL-A C106-06BL-W



C76-03BL-A
with plastic bowl

FRL unit, 3-part C36 / C76 / C106

P $_1$: max. 11 / 17 bar, P $_2$: 0.3...9 bar, 20 / 40 μ m, manual drain, relieving, with pressure gauge

122	178	108	F+R+L36	plastic	20	51	850	G $\frac{1}{8}$	C 36-01FRL-A C 36-01FRL-W
				metal/sight glass					C 36-02FRL-A C 36-02FRL-W
168	208	138	F+R+L76	plastic	40	102	1700	G $\frac{3}{8}$	C 76-03FRL-A C 76-03FRL-W
				metal/sight glass					C 76-04FRL-A C 76-04FRL-W
204	262	169	F+R+L106	plastic	40	222	3700	G $\frac{1}{2}$	C106-04FRL-A C106-04FRL-W
				metal/sight glass					C106-06FRL-A C106-06FRL-W



C76-03FRL-W
with all-around sight glass

Special options, add the appropriate letter

5 μm filter element			C...-0...-.G
semiautomatic drain	PKF36, piston drain,	max. 12 bar for C36	C 36-0...-.S
	RK500SY, spring-loaded,	max. 12 bar for all	C...-0...-.M
automatic drain	SA605MD,	max. 12 bar for C76/C106	C...-0...-.R

Accessories, enclosed

mount. bracket at spring cage	for C36/C76	BW30-02	for C106	BW45-02
aluminium nut	for C36/C76	M30x1,5A	for C76	M45x1,5A
mounting bracket, at the side	for C36	BW00-03	for C106	BW00-04 BW00-05

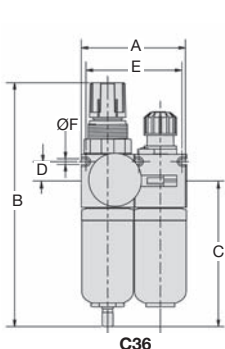


RK500SY

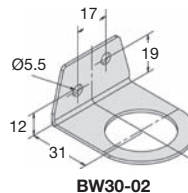
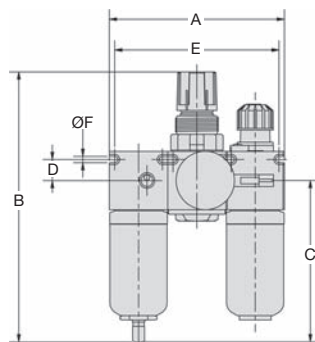
SA605MD



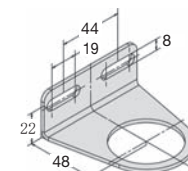
PKF36



C36



BW30-02



BW45-02

*1 at 7 bar supply pressure, 6 bar outlet pressure and 1 bar pressure drop



Order example:
C36-01BL-A

China website: www.duray-control.cn

FRL
units



2-part	D	E	Ø F
C 36	14	73	4.5
C 76	18	98	5.5
C106	20	126	6.5

3-part	D	E	Ø F
C 36	14	113	4.5
C 76	18	154	5.5
C106	20	194	6.5