

Cube Compressed Air Lubricator

L36 / L76 / L106

Description	Modular cube compressed air lubricator of modern design. Threads of ports in body or in adapter plates. Integrated wall mounting system, no brackets necessary. Many different bowl types available.	
Bowl	plastic version with or without bowl guard metal version with or without all-around sight glass	
Operating pressure	max. 11 bar for plastic bowl max. 17 bar for metal bowl with sight glass max. 21 bar for metal bowl without sight glass	
Temperature range	0 °C to 50 °C / 32 °F to 122 °F for plastic bowl 0 °C to 70 °C / 32 °F to 158 °F for metal bowl with sight glass 0 °C to 80 °C / 32 °F to 176 °F for metal bowl without sight glass for appropriately conditioned compressed air down to -30 °C / -22 °F	
Material	Body: zinc die-cast at L36 and L76, Bowl: polyurethane or zinc die-cast Elastomer: NBR/Buna-N	aluminium at L106



Dimensions			Bowl		Flow rate	Operating pressure	Connection thread	Order number
A	B	C	Design	Capacity				
mm	mm	mm	made of / with	l	m ³ /h*1	l/min*1	max. bar	G

Cube compressed air lubricator L36/L76/L106

40	146	93	plastic	0.05	72	1200	11	G ¹ / ₈	L 36-01A
40	146	92	metal				21		L 36-01D
40	151	98	metal / sight glass				17		L 36-01W
40	146	93	plastic	0.05	90	1500	11	G ¹ / ₄	L 36-02A
40	146	92	metal				21		L 36-02D
40	151	98	metal / sight glass				17		L 36-02W
56	176	120	plastic	0.11	108	1800	11	G ³ / ₈	L 76-03A
56	176	120	plastic / bowl guard				11		L 76-03B
56	173	116	metal				21		L 76-03D
56	179	123	metal / sight glass				17		L 76-03W
56	176	120	plastic	0.11	120	2000	11	G ¹ / ₂	L 76-04A
56	176	120	plastic / bowl guard				11		L 76-04B
56	173	116	metal				21		L 76-04D
56	179	123	metal / sight glass				17		L 76-04W
68	218	153	plastic	0.25	270	4500	11	G ¹ / ₂	L 106-04A
68	218	153	plastic / bowl guard				11		L 106-04B
68	218	154	metal				21		L 106-04D
68	225	161	metal / sight glass				17		L 106-04W
68	218	153	plastic	0.25	336	5600	11	G ³ / ₄	L 106-06A
68	218	153	plastic / bowl guard				11		L 106-06B
68	218	154	metal				21		L 106-06D
68	225	161	metal / sight glass				17		L 106-06W



L76-03A
plastic bowl

L76-03D
metal bowl



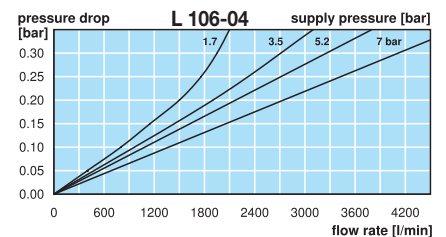
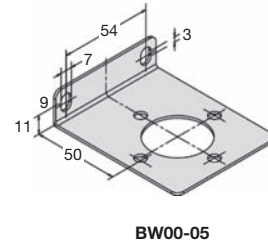
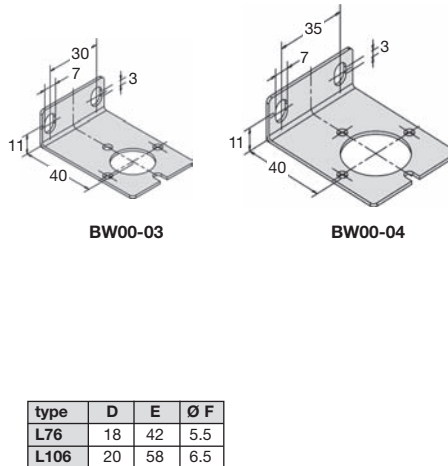
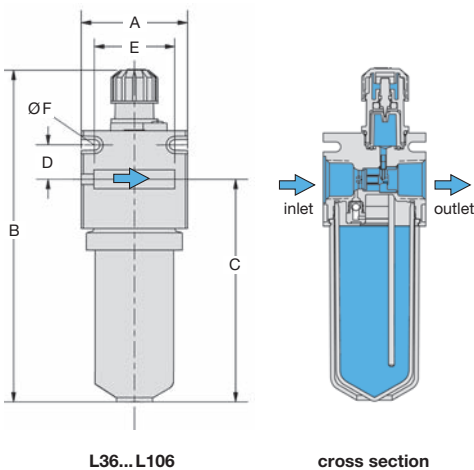
L76-03B
bowl guard

L76-03W
all-around sight glass

Accessories, enclosed

mounting bracket side mounting, made of steel

for L36 **BW00-03**
for L76 **BW00-04**
for L106 **BW00-05**



*1 at 7 bar operating pressure and 0.33 bar pressure drop



Order example:
L36-01A

China website: www.duray-control.cn

