

Cube Compressed Air Filter

F36 / F76 / F106

Description	Modular cube pressure regulator of modern design. Threads of ports in body or in adapter plates. Integrated wall mounting system, no brackets necessary. Many different bowl types available.	
Filter element	20 µm or 40 µm, optionally 5 µm or 20 µm,	made of polypropylene
Bowl	plastic version with or without bowl guard,	metal version with or without all-around sight glass
Drainage	manual drain as standard,	for max. 21 bar
	optionally automatic or semiautomatic drain,	for max. 12 bar
Operating pressure	max. 11 bar for plastic bowl	max. 17 bar for metal bowl with sight glass
	max. 21 bar for metal bowl without sight glass	
Temperature range	0 °C to 50 °C / 32 °F to 122 °F for plastic bowl and automatic or semiautomatic drain version	
	0 °C to 70 °C / 32 °F to 158 °F for metal bowl with sight glass	
	0 °C to 80 °C / 32 °F to 176 °F for metal bowl without sight glass	
	for appropriately conditioned compressed air down to -30 °C / -22 °F	
Material	Body: zinc die-cast at F36 and F76,	aluminium at F106
	Bowl: polyurethane or zinc die-cast	Elastomer: NBR/Buna-N



Dimensions			Bowl	Flow	Supply	Filter	Connection	Order
A	B	C	Design	Capacity	rate	element	thread	number
mm	mm	mm	made of / with	l	m ³ /h*1	µm	G	

Cube filter with manual drain F 36 / F 76 / F106

A	B	C	Design	Capacity	Flow rate	Supply max.	Filter element	Connection thread	Order number	
40	129	108	plastic	0.05	54	900	20	G ¹ / ₈	F 36-01AH	
			metal						F 36-01DH	
			metal/sight glass						F 36-01WH	
40	129	108	plastic	0.05	66	1100	20	G ¹ / ₄	F 36-02AH	
			metal							F 36-02DH
			metal/sight glass							F 36-02WH
56	160	135	plastic	0.11	114	1900	40	G ³ / ₈	F 76-03AJ	
			plastic/bowl guard							F 76-03BJ
			metal							F 76-03DJ
56	160	135	metal/sight glass						F 76-03WJ	
			plastic	0.11	120	2000	40	G ¹ / ₂	F 76-04AJ	
			plastic/bowl guard							F 76-04BJ
metal		F 76-04DJ								
56	160	135	metal/sight glass						F 76-04WJ	
			plastic	0.25	234	3900	40	G ¹ / ₂	F106-04AJ	
			plastic/bowl guard							F106-04BJ
metal		F106-04DJ								
68	203	169	metal/sight glass						F106-04WJ	
			plastic	0.25	258	4300	40	G ³ / ₄	F106-06AJ	
			plastic/bowl guard							F106-06BJ
metal		F106-06DJ								
68	203	169	metal/sight glass						F106-06WJ	



F76-03AJ plastic bowl

F76-03DJ metal bowl



F76-03BJ bowl guard

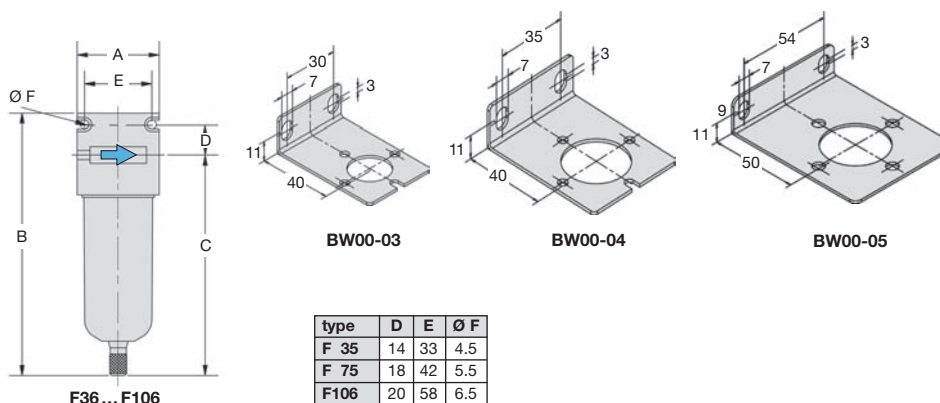
F76-03WJ all-around sight glass

Special options, add the appropriate letter

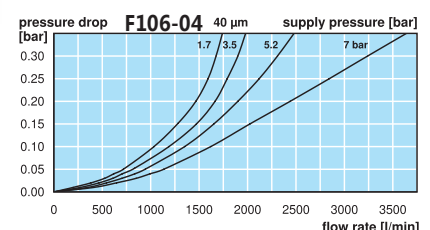
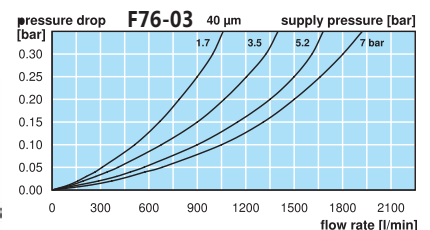
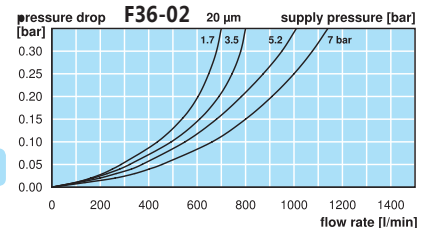
5 µm filter element			F...-0...G
NPT connection thread			F...-0...N
semiautomatic drain	PKF36, piston drain,	max. 12 bar	for F36 F 36-0...S
	RA500SY, spring-loaded,	max. 12 bar	F...-0...M
automatic drain	SA605MD,	max. 12 bar	for F76 F 76-0...R
	SAF106MD,	max. 12 bar	for F106 F106-0...R

Accessories, enclosed

mounting bracket	made of steel, fixed at the side	for F36 BW00-03
		for F76 BW00-04
		for F106 BW00-05



*1 at 7 bar operating pressure and 0.33 bar pressure drop



Order example:
F36-01AH
China website: www.duray-control.cn