

Description	Pressure transducer in compact and robust stainless steel housing with piezo-resistive measuring element. Factory-made calibration of zero point and range is possible.
Media	compressed air, non-corrosive gases or liquids
Overpressure	max. 3x full scale, min. 3 bar, for DPA-D6 and DPA-E1 max. 1500 bar
Supply voltage	9...33 V DC at current signal, 15...30 V DC at voltage signal, residual ripple 5%, reverse voltage protection, short-circuit-proof
ATEX version	only current signal 10...30 V DC, max. 1 W, as per EN 50.014 / EN 50.020: 1974 A1...A5, Atex 2640-1
Electrical connector	plug according to DIN 43650, with coupling socket
Output signal	4...20 mA: max. power consumption 260 mW, 0...10 V: max. power consumption 50 mW
Linearity/Hysteresis	< 0.1% FS
Temperature sensitivity	Repeatability < 0.1% FS Long-term stability < 0.1% FS, < 0.5% FS at version up to 500 mbar
Response time	< 0.02% FS per °C / K, < 0.06% FS at version up to 2 bar per °C / K, at range of 0 °C to 70 °C / 32 °F to 158 °F
Vibration resistance	< 0.1 % FS at version up to 500 mbar per °C / K, 1 ms for 10...90% of pressure range
Mounting position	any
Material	Body/Diaphragm: stainless steel 316L, material no. 1.4435 O-rings: FKM, optionally EPDM

-1...1000 bar, accurate to 0.1% compressed air or gases

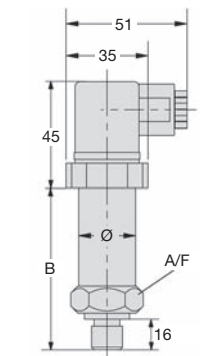
Dimensions			Accuracy	Measurement range	Order number	Measurement range	Order number
B	Ø	A/F	%	mbar/bar	4...20 mA	mbar/bar	4...20 mA
mm	mm	mm					

Pressure transducer				G½, stainless steel, overpressure, with angular coupling socket, 4...20 mA				DP			
53	24	27	0.1	0... 50 mbar	DPA-B5H	0... 100 mbar	DPA-C1H				
53	24	27	0.1	0... 160 mbar	DPA-C2H	0... 10 bar	DPA-10H				
				0... 250 mbar	DPA-C3H	0... 16 bar	DPA-16H				
				0... 400 mbar	DPA-C4H	0... 25 bar	DPA-25H				
				0... 600 mbar	DPA-C6H	0... 40 bar	DPA-40H				
				0... 1.0 bar	DPA-01H	0... 60 bar	DPA-60H				
				0... 1.6 bar	DPA-02H	0... 100 bar	DPA-D1H				
				0... 2.5 bar	DPA-03H	0... 160 bar	DPA-D2H				
				0... 4.0 bar	DPA-04H	0... 250 bar	DPA-D3H				
				0... 6.0 bar	DPA-06H	0... 400 bar	DPA-D4H				
						0... 600 bar	DPA-D6H				
53	24	27	0.5		DPA-D6	0... 1000 bar	DPA-E1				

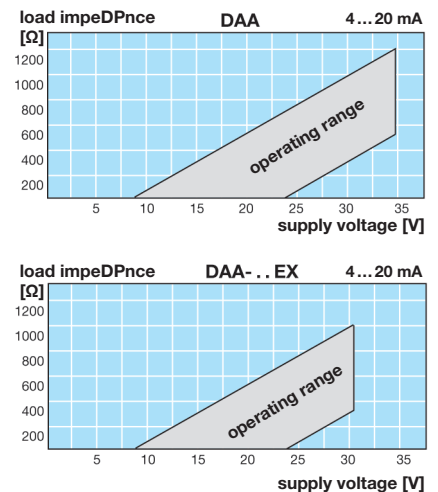
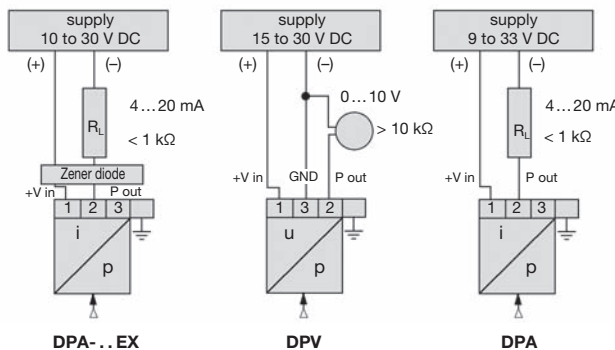


Special options, add the appropriate letter

0...10 V output signal	not for ATEX version	DPV-..
deviant pressure range	measurement range to be indicated in clear text	DP..XX
absolute pressure range	from 50 mbar on	DP..A
vacuum	0... -1 bar	DP..V
ATEX version	II 1G Ex ia IIC T6	DPA...EX
0.25 % linearity	for 100 mbar up to 1000 bar	DP..G
0.5 % linearity	for 50 mbar up to 600 bar	DP..S
-25...100 °C / -13...212 °F	media temperature compensated up to 85 °C / 185 °F, T4	DP..T
-25...150 °C / -13...302 °F	media temperature compensated up to 85 °C / 185 °F, T3	DP..F
flush-mounted diaphragm	connection thread G½, up to 600 bar and vacuum	DP..04
G½m	connection thread	DP..E
EPDM elastomer		



version	B (mm)
stanDPrd	40
stand. 150 °C	67
Ex	94
Ex, T3	121



Order example:
DPA-B5H
China website: www.duray-control.cn