

Description	The operating pressure is converted into a proportional, electrical signal by a ceramics pressure transducer. After amplification the signal is monitored as an analogue voltage or current signal.	
Media	DP7 all non-corrosive media compatible with stainless steel, nylon, silicon, silicone and epoxy DP8 compressed air, non-corrosive gases or liquids compatible with ceramics and NBR/Buna-N	
Supply voltage	12...30 V DC, residual ripple 5%, with reverse voltage protection, max. current consumption 1 mA	
Electrical connector	plug M12x1, 4-pin, with coupling socket	
Output signal	4...20 mA: max. power consumption 260 mW	0...10 V: max. power consumption 50 mW
	DP7	DP8
Linearity/Hysteresis	< 0.2 % FS typ. < 0.5 % FS	< 0.1 % FS typ. < 0.2 % FS
Repeatability	< 0.1 % FS typ. < 0.2 % FS	< 0.1 % FS typ. < 0.2 % FS
Long-term stability	< 0.5 % FS typ. < 1 % FS	< 0.3 % FS typ. < 0.6 % FS
Temperature sensitivity	< 0.03% FS typ./°C < 0.08% FS/°C (0...50 °C)	< 0.03% FS typ./°C < 0.05% FS/°C (0...70 °C)
Vibration resistance	2 g at 5...500 Hz	10 g at 5...500 Hz
Temperature range	-40 °C to 85 °C / -40 °F to 185 °F	-40 °C to 100 °C / -40 °F to 212 °F
Response time	1 ms for 10...90% of pressure range	Shock resistance 50 g
Material	Body: stainless steel 316L, mat. no. 1.4404	Measuring cell (DP8): ceramics Al ₂ O ₃ and NBR/Buna-N o-ring

accurate to 0.2% or 0.5% compressed air or liquids

Dimensions		Operating pressure	Measurement range	Order number for output signal	
B	Ø	max. bar	mbar/bar	4...20 mA	0...10 V
mm	mm				

For non-corrosive media			G ¹ / _m , open sensor, gauge pressure, with angular coupling socket	DP7A ^{accurate to 0.5%}	DP7V
52	22	0.25	0... 10 mbar	DP7A-B1	DP7V-B1
		0.25	-10... 10 mbar	DP7A-B1V	DP7V-B1V
		0.35	0... 25 mbar	DP7A-B2	DP7V-B2
		0.35	-25... 25 mbar	DP7A-B2V	DP7V-B2V
		1	0... 70 mbar	DP7A-B7	DP7V-B7
		1	-70... 70 mbar	DP7A-B7V	DP7V-B7V
		1	0... 350 mbar	DP7A-C3	DP7V-C3
		1	-350... 350 mbar	DP7A-C3V	DP7V-C3V
		2	0... 1 bar	DP7A-01	DP7V-01
		2	-1... 1 bar	DP7A-V1	DP7V-V1
		4	0... 2 bar	DP7A-02	DP7V-02
		10	0... 5 bar	DP7A-05	DP7V-05
		10	0... 7 bar	DP7A-07	DP7V-07



DP7

DP8

For compressed air or liquids			G ¹ / _m , ceramic sensor, with angular coupling socket	DP8A ^{accurate to 0.2%}	DP8V
52	22	2	0... -1 bar	DP8A-V0	DP8V-V0
		2	-1... 1 bar	DP8A-V1	DP8V-V1
		2	0... 1 bar	DP8A-01	DP8V-01
		4	0... 2 bar	DP8A-02	DP8V-02
		10	0... 5 bar	DP8A-05	DP8V-05
		20	0... 10 bar	DP8A-10	DP8V-10
		32	0... 16 bar	DP8A-16	DP8V-16
		40	0... 20 bar	DP8A-20	DP8V-20
		50	0... 25 bar	DP8A-25	DP8V-25
		70	0... 35 bar	DP8A-35	DP8V-35
		100	0... 50 bar	DP8A-50	DP8V-50
		140	0... 70 bar	DP8A-70	DP8V-70
		200	0... 100 bar	DP8A-100	DP8V-100



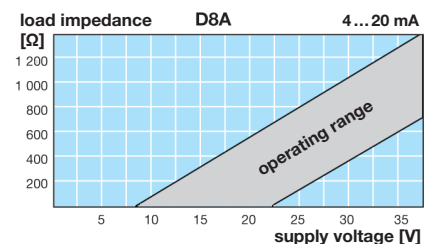
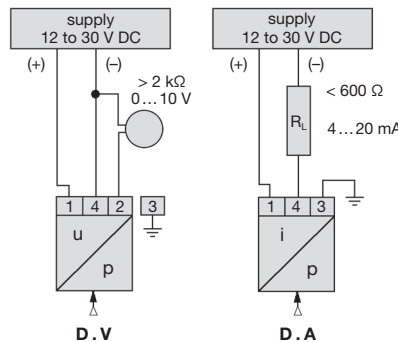
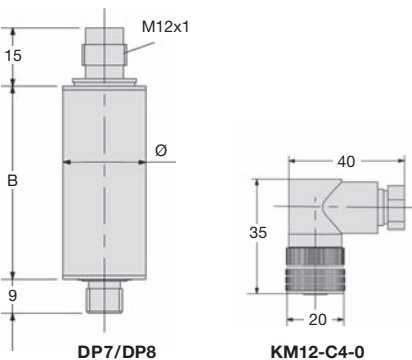
KM12-C4-0

Special options, add the appropriate letter

deviant pressure range	measurement range to be indicated in clear text	D...-XX
absolute pressure range	lowest measurement range: 0...1 bar _{abs}	D...-A
G¹/_m	connection thread	D...-02
G³/_m	connection thread	D...-03
for oxygen	specially cleaned, max. 40 bar	DP8...15 for DP8

Accessories, enclosed

coupling socket, 4-pin	M12x1, straight	KM12-A4-0	angular	KM12-C4-0
socket with cable	2 m, straight	KM12-A4-2	angular	KM12-C4-2
	5 m, straight	KM12-A4-5	angular	KM12-C4-5



Order example:
DP7A-B1
 China website: www.duray-control.cn