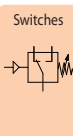
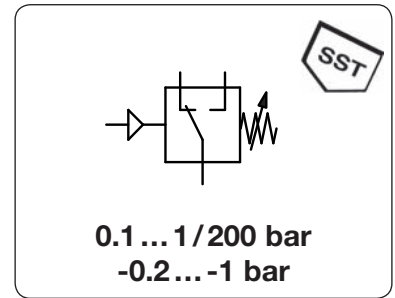


Description	The pressure switch closes or opens an electrical contact when the desired pressure is reached. If it falls below, the contact will be reset.
Media	compressed air, non-corrosive gases or liquids
Overpressure	see chart for max. static pressure, dynamic pressures are 50% lower
Switch contact	DS25/26: NO contact, optionally NC contact DS27/28: SPDT switch
Contact load	DS25/26: 2 A at 42 V DC, DS27: 4 A at 42 V DC, DS28: 4 A at 250 V AC
Electrical connector	DS25/26: screw terminal, DS27/28: spade terminal 6.3 x 0.8 mm, optionally also for DS25/16
Hysteresis	DS25/26: 5...20%, DS27/28: adjustable to 10...30% by factory
Life cycle	10 ⁶ switching cycles at < 50 bar
Vibration resistance	10 g at 5...200 Hz
Certifications	CSA-certified and UL-listed
Protection class	IP 00, with coupling socket IP 65
Temperature range	-30 °C to 100 °C / -22 °F to 212 °F for NBR/Buna-N, -30 °C to 120 °C / -22 °F to 248 °F for EPDM, -5 °C to 120 °C / 23 °F to 248 °F for FKM
Material	Body: steel, brass at DS25, optionally stainless steel at DS28 Elastomer: NBR/Buna-N, optionally EPDM or FKM



Pressure transmission by	Overpressure protection < bar	Measuring tolerance ± bar	Measurement range bar	Order number
--------------------------	-------------------------------	---------------------------	-----------------------	--------------

Pressure switch G ¹ / ₄ m, NO 42V		hysteresis 5...20%, steel, NBR/Buna-N, without protective cap	DS26
diaphragm	300	0.2	0.1 ... 1.0 DS26-A
		0.5	1.0 ... 10 DS26-B
		1.0	10 ... 20 DS26-C
		2.0	20 ... 50 DS26-D
piston	600	5.0	50 ... 150 DS26-E



Pressure switch G ¹ / ₄ m, SPDT 42V		adjustable hysteresis, steel, NBR/Buna-N, with coupling socket	DS27
diaphragm	100	0.2	0.3 ... 1.5 DS27-A
		0.5	1.0 ... 10 DS27-B
		1.0	1.0 ... 10 DS27-C
		3.0	10 ... 50 DS27-D
		5.0	10 ... 100 DS27-E
piston	600	5.0	50 ... 200 DS27-H



Pressure switch G ¹ / ₄ m, SPDT 250V		adjustable hysteresis, steel, NBR/Buna-N, with coupling socket	DS28
diaphragm	100	0.2	0.3 ... 1.5 DS28-A
		1.0	1.0 ... 10 DS28-C
		3.0	10 ... 50 DS28-D
		5.0	10 ... 100 DS28-E
		5.0	50 ... 200 DS28-H
piston	600	5.0	50 ... 200 DS28-H



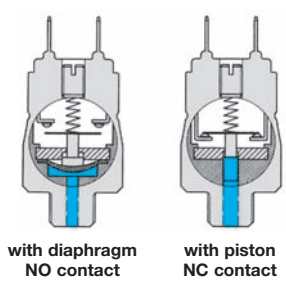
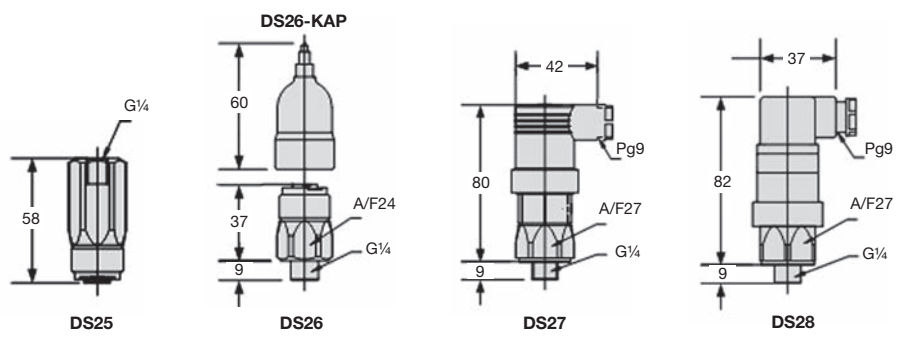
Vacuum switch G ¹ / ₈ f, NO 42V		hysteresis 5...20%, brass, FKM, without protective cap	DS25
diaphragm	20	0.1	0.2 ... -1 DS25-03

Special options, add the appropriate letter

EPDM elastomer		not for DS25	DS2.-E
FKM elastomer		not for DS25	DS2.-V
free of grease and oil	suitable for oxygen, max. 10 bar		DS2.-L
NC contact	instead of normally open contact	for DS25 and DS26	DS2.-1
spade terminal	6.3 x 0.8 mm, galvanised	for DS25 and DS26	DS2.-T
600 bar overpressure	maximum	for DS26	DS26.-U
gold contact	max. 24 V AC/DC, 50 mA	for DS27	DS27.-G
250 V	max. voltage	for DS27	DS27.-W
stainless steel body	0.5...5/200 bar	for DS28	DS28.-S
factory-set pressure	pressure indication: falling pressure: VF	rising pressure	DS2.-VS..

Accessories, enclosed

protection cap	straight, IP 65	for DS25 and DS26	DS26-KAP
-----------------------	-----------------	-------------------	-----------------



Order example:
DS26-A
China website: www.duray-control.cn