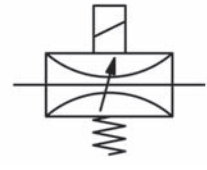


# Miniature Proportional Volume Flow Regulator

PVL

<b>Description</b>	Small proportional flow valve for regulating both air and non-corrosive gases. Voltage signal 10 V as standard or optionally 5 V or 20 V DC.				
<b>Media</b>	50 µm filtered compressed air or non-corrosive gases				
<b>Operating pressure</b>	see chart, max. 7 bar				
<b>Electrical specification</b>	<b>command signal</b>	<b>max. voltage</b>	<b>resistance</b>	<b>current consumption</b>	<b>power consumption</b>
	0 - 5 V DC	0 - 6.2 V DC	13 Ω	0 - 370 mA	1.9 W
	0 - 10 V DC	0 - 12.4 V DC	54 Ω	0 - 185 mA	1.9 W
	0 - 20 V DC	0 - 24.8 V DC	218 Ω	0 - 92 mA	1.9 W
<b>Electrical connection</b>	solder lug or terminal lug, 2.5 x 0.5 mm				
<b>Mounting position</b>	any				
<b>Hysteresis</b>	± 10% FS		<b>Repeatability</b> ± 3% FS		
<b>Temperature range</b>	0 °C to 60 °C / 32 °F to 140 °F				
<b>Material</b>	<b>Body:</b> nickel-plated brass		<b>Elastomer:</b> NBR/Buna-N, optionally FKM or EPDM		
	<b>Inner valve:</b> stainless steel and brass				



**DN 0.2 to DN 1.5**  
**0 - 5 / 10 / 20 V DC**



Dimensions			Nominal size	K <sub>v</sub> value	Flow rate	Operating pressure	Connection thread	Order number
A	B	C	DN	(m <sup>3</sup> /h)	l/min*1	max. bar	M5	
mm	mm	mm						

Volume flow regulator M5								0-10 V DC, 2-port/2-way valve for compressed air or non-corrosive gases, with terminal lug, brass, NBR/Buna-N	PVL
20	40	5	0.2	0.03	0...3	1.7	M5	PVL-092	
						3.5		PVL-093	
						7.0		PVL-097	
20	40	5	0.3	0.07	0...7	1.7	M5	PVL-132	
						3.5		PVL-133	
						7.0		PVL-137	
20	40	5	0.6	0.24	0...24	1.7	M5	PVL-252	
						3.5		PVL-253	
						7.0		PVL-257	
20	40	5	1.0	0.18	0...19	1.7	M5	PVL-402	
						3.5		PVL-403	
20	40	5	1.5	0.14	0...14	1.7	M5	PVL-602	



**PVL-257**  
with M5 connection



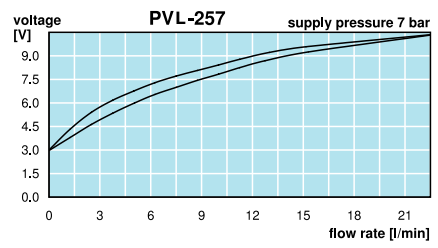
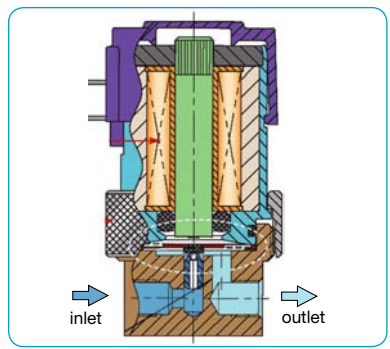
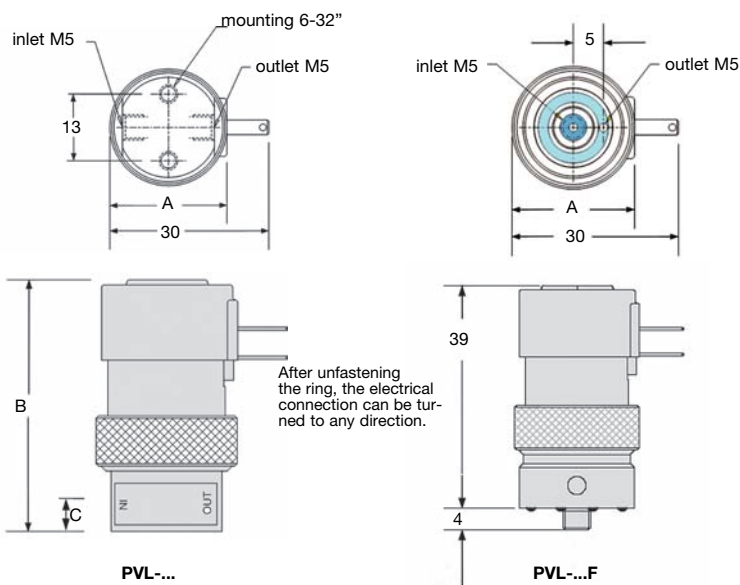
**PVL-092AF**  
with flange connection

## Special options, add the appropriate letter

<b>0 - 5 V</b>	input signal max. 6.2 V,	0 - 370 mA,	13 Ω	PVL-...A
<b>0 - 20 V</b>	input signal max. 25 V,	0 - 92 mA,	218 Ω	PVL-...C
<b>flange connection</b>	for panel mounting			PVL-...F
<b>FKM elastomer</b>				PVL-...V
<b>EPDM elastomer</b>				PVL-...E

## Accessories, enclosed

**manifold block** for valve with flange connection, for 2, 4 ... 12 valves



\*1 at max. current consumption and max. operating pressure



**Order example:**  
**PVL-092**  
China website: [www.duray-control.cn](http://www.duray-control.cn)