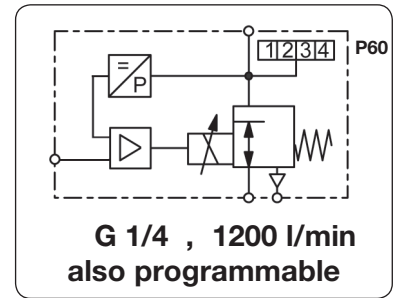


Technical features P60

- **Pressure range** 0.1...1bar to 0.1...10bar, vacuum
- **Low power consumption** <1W
- **No self-heating** even not at pressure absence
- **High flow rate** max.1400l/min
- **Exhaust** full nominal size
- **Adjustment** zeropoint,span and amplification
- **Sensitivity** resistant to mounting,shock and vibration
- **Linearity** <0.25%FStyp.
- **Hysteresis** <0.25%FStyp.
- **Response sensitivity** <0.1%FS
- **Repeatability** <0.2%FS
- **Monitor signal** 0...10V
- **Protection class** IP65
- **Air consumption** <5l/min



General features

Model Proportional pressure regulator with proven moving coil and flapper/nozzle technology, built-in volume booster and coated glandless spool. The regulator has a single loop, electric feedback from the outlet pressure. Proportional valve for industrial use with 5µm built-in filter protection.

Mounting position any, preferably upright

Protection class IP65

Life cycle <30 million switching cycles

Temperature range -5°C up to 50°C/ 22°F to 122°F

Material Body: anodized aluminium and nylon Elastomer: NBR/Buna-N
Cap: zinc die-cast, painted black

Pneumatic features

Media dry, oil-free and at least 50 µm filtered compressed air or non-corrosive gases

Supply pressure max.14 bar, min.1bar above desired outlet pressure

Flow rate max.1200 l/min at P₁=10bar, P₂=6 bar and 1bar pressure drop

Exhaust same nominal size as on inlet valve, thus same relief capacity

Air consumption max.5l/min, max.0.5% of volume flow

Minimum flow >0.1 l for P61 and 0.2 l for P60

Electrical features

Supply voltage 24V DC±25%, max.250mA power consumption, with reverse voltage protection

Command signal 4...20mA/0...10V

CE certification EN50081-2, EN50082-2 and EN61000-6-2

Electrical connector round connector according to DIN43650, M12x1,5-pin with coupling socket

Feedback signal 0...10V

Note no self-heating at pressure absence

Accuracy

Linearity <0.25%FStyp.

Hysteresis <0.25%FStyp.

Response sensitivity <0.1%FS

Reproducibility <0.2%FS

Vibration sensitivity <3%FS, at 3g in range 10...2000Hz

Temperature sensitivity P60: <0.03%FStyp.per°C/K, for zero point and span

P61: 3mbar typ.per°C/K, for zero point and span

Regulating time P60: <80ms at 10 to 90% and 0.1l

P61: <100ms at 10 to 90% and 0.1l

Adjustment

P60 Zero point Adjustment via potentiometer "Z" :±50%FS

Span Adjustment via potentiometer "S" :±50%FS

Amplification Adjustment via potentiometer "G"

P61 Zero point Adjustment via push buttons :±100%FS

Span Adjustment via push buttons :±100%FS

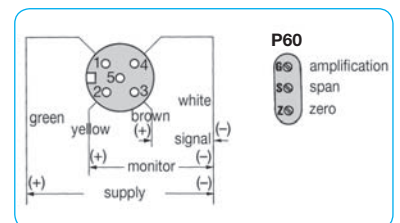
Amplification Adjustment via push buttons: 0...7

P61 Programming

Display double-spaced, 8-digit, alphanumeric

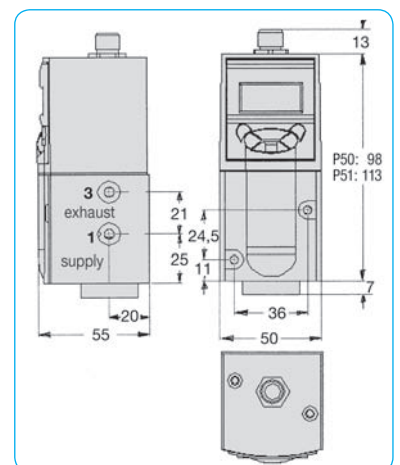
Handling via push button

Function password pressure unit select pressure window alert
language amplification select time window alert
zero point setting device technical data continuous loading ramp
span setting operation time cascade loading ramp



connection diagram

adjustment

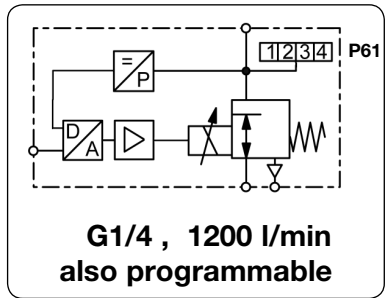


dimensions



Technical features P61
(additional to P60)

- **Processor** 16 bit
- **Fully programmable** with diagnostics
- **Language** five languages selectable
- **Protection** password-protected
- **Pressure unit** switchable to bar / psi / kPa / etc.
- **Display** digital display of outlet pressure
- **Filter** integrated 50 µm filter
- **Green LED display** on: ok, flash: pressure not reached
- **Red LED display** on: ok, flash: pressure out of time frame
- **Programmable** zero point, span, dynamic etc.



Dimensions			K _v value (m ³ /h)	Flow rate l/min	Supply pressure max. recomm. bar	Connection thread	Pressure range	Order number
A	B	C						

Proportional valve w/o display 0...10 V input signal, supply voltage 24 V DC, with coupling socket **P60**

A	B	C	K _v	Flow rate	Supply pressure	Connection	Pressure range	Order number
50	105	55	1.0	1200	-1	1	G ¼	P60-V00
					4	4		P60-010
					4	3		P60-020
					10	8		P60-040
					14	10	0.1...6	P60-060
					14	14		P60-100

Proportional valve with display 0...10 V input signal, supply voltage 24 V DC, with coupling socket **P61**

A	B	C	K _v	Flow rate	Supply pressure	Connection	Pressure range	Order number
50	120	55	1.0	1200	4	3	G ¼	P61-010
					4	4		P61-020
					10	8		P61-040
					14	10		P61-060
					14	14		P61-100



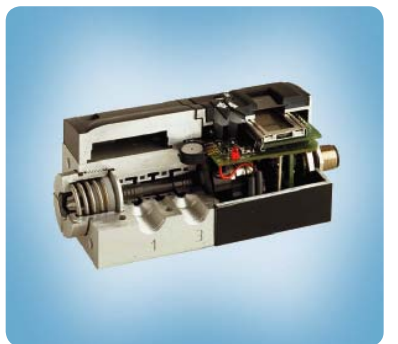
P60



P61

Special options, add the appropriate number

- NPT connection thread **P 6.-... N**
- 4...20 mA supply signal **P 6.-... 2**
- flange connection ISO2 **P 6.-... F**
- declining characteristic curve **P60 only P60-... X59**
- calibrated in psi **P60 only P60-... P**
- mounting clips for DIN rail **P 6.-... C**



P61 cutaway model

*1 at 10 bar supply pressure, 6 bar outlet pressure and 1 bar pressure drop