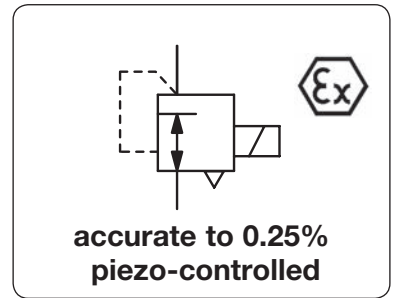


Proportional Pressure Regulator with Piezo Element and Feedback

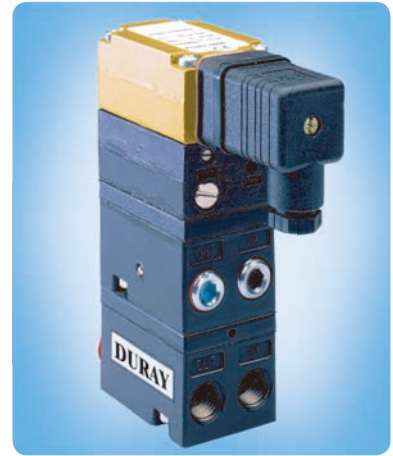
PU7

Description	The proportional valve translates a direct current or voltage signal into a linear proportional pneumatic outlet signal. With rapid response controls using low-powered piezo microelectronics, flapper nozzle and solid state control circuit. The proportional valve has internal electronic with an electrical feedback sensor and is housed in NEMA4X (IP65) enclosure with six outlet ranges, jumper selectable. Input and outlet ports on both ends of the body simplify pneumatic piping.		
Media	5 µm filtered compressed air or non-corrosive gases		
Supply voltage	7...30 V DC, 90 mW,	required for 0...10 V setpoint input only,	with reverse voltage protection
Electrical connector	plug according to DIN 43650A, contact gap 18 mm, 3-pin, with coupling socket 30 x 30 mm		
Command signal	0...10 V / 10 kΩ, 3-pin, 24 V DC supply voltage,	4...20 mA / 330 Ω, two-wire, min. 7 V DC on input	
Failsafe	exhaust at power breakdown		
Linearity	< 0.25% FS		
Hysteresis	< 0.1% FS at 0.2...0.5 bar, otherwise < 0.25% FS		
Adjustment	Zero point: by 0.3 bar Range: 40% FS		
Temperature range	-40 °C to 70 °C / -40 °F to 158 °F		
Material	Body: chromated aluminium	Elastomer: NBR/Buna-N	Inner valve: stainless steel, brass, zinc-plated steel
	Nozzle: sapphire in nickel-plated brass plate		



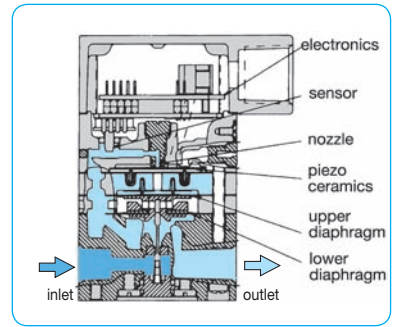
Dimensions			Flow rate l/min*1	Supply pressure max. bar	Command signal V/mA	Pressure range bar	Order number
A	B	C					

Prop. pressure regulator 0...10 V							¼" NPT, air consumption 2...8 l/min subject to pressure range	PU780
57	95	13	250	8	0...10 V	0.2...1	PU780-B100	
						0.2...2	PU780-B200	
57	133	13	300	10	0...10 V	0...2	PU780-0200	
						0...4	PU780-0400	
						0...8	PU780-0800	



PU78.-0.

Prop. pressure regulator 4...20 mA							¼" NPT, air consumption 2...8 l/min subject to pressure range	PU782
57	95	13	250	8	4...20 mA	0.2...1	PU782-B100	
						0.2...2	PU782-B200	
57	133	13	300	10	4...20 mA	0...2	PU782-0200	
						0...4	PU782-0400	
						0...8	PU782-0800	



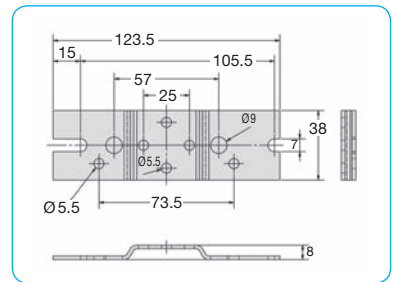
cross section

Special options, add the appropriate letter

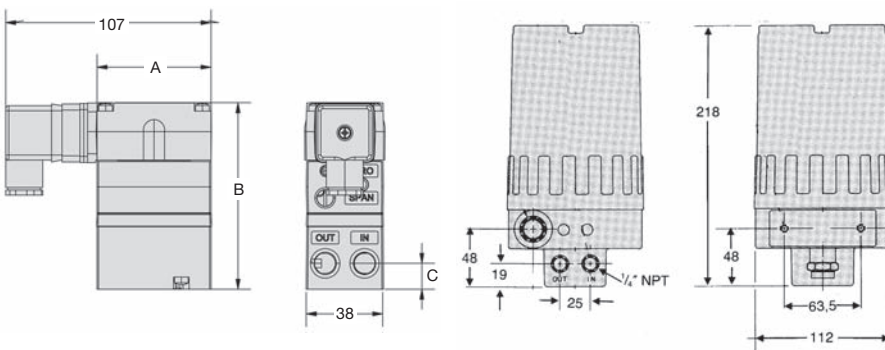
⊕ ATEX version	intrinsically safe: ATEX II 1G Ex ia IIB T4	only 4...20 mA	PU782-...01
⊕ ATEX version	explosion-proof: ATEX ds IIC T6	max. 2 bar only 4...20 mA	PU782-...0E

Accessories, enclosed

mounting bracket	made of steel, for standard version for DIN rail	SA-PT1
	for ⊕ ATEX version, explosion-proof	SA-PT2
		SA-PT3
isolate transmitter	Ex ia II C E/A: 0...20 mA, 24 V DC, EX 1-32	KFD2-CD



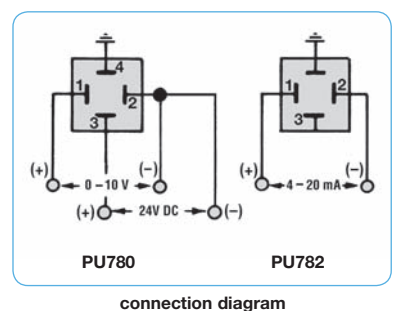
SA-PT1



PU78.-B.

PU782, ⊕ ATEX version, explosion-proof

*1 at 7 bar supply pressure and 1.4 bar outlet pressure



PU780

PU782

connection diagram



Order example:
PU780-B100
China website: www.duray-control.cn

