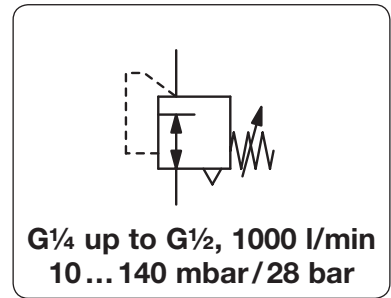


Description	The diaphragm pressure regulator provides precision regulation in high flow applications. A balanced inner valve, sensitive rolling diaphragm and carefully positioned aspirator tube ensure constant outlet pressure even with changing supply pressure and flow fluctuations.	
Media	compressed air or non-corrosive gases	
Supply pressure	max. 35 bar	
Accuracy	response sensitivity: < 2 mbar	
Air consumption	max. 6 l/min, subject to outlet pressure	
Adjustment	by handwheel with locknut	
Relieving function	relieving, optionally non-relieving	
Relief capacity	150 l/min at 1.5 bar outlet and 0.35 bar overpressure above setpoint	
Gauge port	G $\frac{1}{4}$ on both sides of the body, optionally $\frac{1}{4}$ " NPT	
Temperature range	0 °C to 90 °C / 32 °F to 194 °F, for appropriately conditioned compressed air down to -40 °C / -40 °F	
Material	Body: aluminium die-cast	Inner valve: stainless steel and brass
	Elastomer: NBR/Buna-N, optionally FKM	



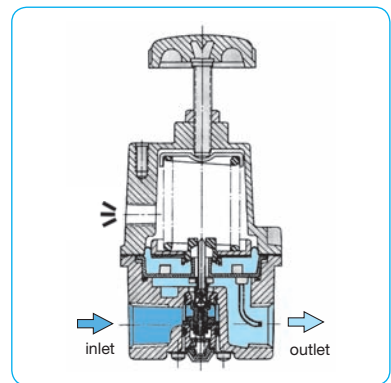
Dimensions			K _v value (m ³ /h)	Flow rate		Connection thread G	Pressure range bar	Order number
A mm	B mm	C mm		m ³ /h*1	l/min*1			

Precision pressure regulator							supply pressure max. 35 bar, relieving, with constant bleed	Model 11
67	169	26	0.64	60	1000	G $\frac{1}{4}$	0.01... 0.14	11212H
							0.01... 0.7	11222H
							0.01... 1.4	11202H
							0.01... 2.1	11232H
							0.07... 4.1	11242H
							0.14... 10.0	11262H
							0.20... 14.0	11272H
67	178	26	0.64	60	1000	G $\frac{1}{4}$	0.30... 21.0	11282H
							0.30... 28.0	11292H



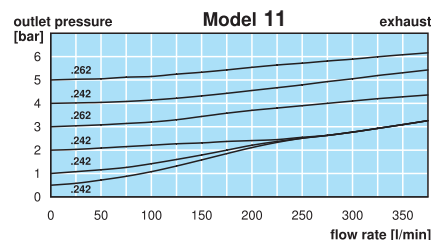
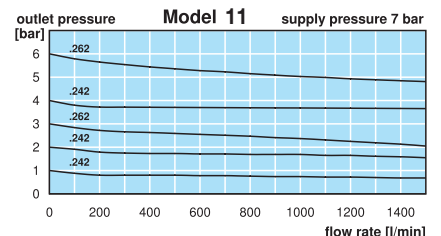
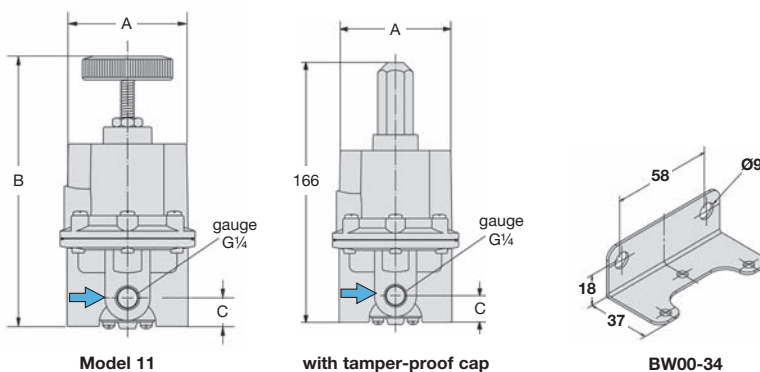
Special options, add the appropriate letter

G $\frac{3}{8}$	connection thread	112. 3H
G $\frac{1}{2}$	connection thread, recommended for mbar range	112. 4H
NPT	connection thread	112. 2
non-relieving	and without constant bleed	112. 2.N
reduced bleeding	ca. 2 l/min	112. 2.B
for small flow rate	high constant bleed for mor sensitivity	112. 2.L
tapped exhaust	connection thread G $\frac{1}{4}$	112. 2.E
FKM elastomer		112. 2.J
tamper-proof cap	aluminium, adjustment by screwdriver, total height 166 mm	112. 2.T
for oxygen	specialy cleaned	112. 2.SC
non-ferrous metal-free	FKM elastomer	112. 2.X63



Accessories, enclosed

pressure gauge	Ø 63 mm, 0...160 mbar, G $\frac{1}{4}$, capsule type	MA6302-C2
pressure gauge	Ø 50 mm, 0...*2 bar, G $\frac{1}{4}$, Bourdon tube	MA5002-..*2
gauge connectors	for NPT ports, adapter $\frac{1}{4}$ " NPT to G $\frac{1}{4}$ female	VP-0202N
mounting bracket	made of steel	BW00-34



*1 at 7 bar supply pressure, 6 bar outlet pressure and 1 bar pressure drop
*2 O1 = 0...1 bar, O2 = 0...2.5 bar, O6 = 0...6 bar, 10 = 0...10 bar, 16 = 0...16 bar, 25 = 0...25 bar, 60 = 0...60 bar



Order example:
11212H
China website: www.duray-control.cn