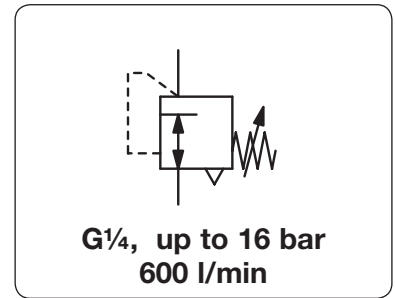


Precision Regulator without Constant Bleed, up to 16 bar Outlet Pressure

R227

Description	Diaphragm pressure regulator with good regulation accuracy at varying volume flow.		
Media	compressed air or non-corrosive gases		
Supply pressure	max. 16 bar		
Air consumption	without constant bleed		
Adjustment	by handwheel with locknut, suitable for panel mounting		
Relieving function	relieving, optionally non-relieving		
Gauge port	G $\frac{1}{4}$ on both sides of the body, one screw plug supplied		
Mounting position	any		
Temperature range	0 °C to 80 °C / 32 °F to 176 °F		
Material	Body: zinc die-cast	O-ring: NBR/Buna-N	
	Spring cage: zinc die-cast	Bottom screw: POM	
	Diaphragm: FKM		



Dimensions			K _v value (m ³ /h)	Flow rate (m ³ /h*1 / l/min*1)	Connection thread G	Pressure range bar	Order number
A mm	B mm	C mm					

Precision pressure regulator

supply pressure max. 16 bar, relieving, without constant bleed

R227

82	148	20	0.3	36	600	G $\frac{1}{4}$	0.01 ... 1	R227-02A
							0.20 ... 3	R227-02B
							0.40 ... 6	R227-02C
							0.50 ... 10	R227-02D
							0.70 ... 16	R227-02E



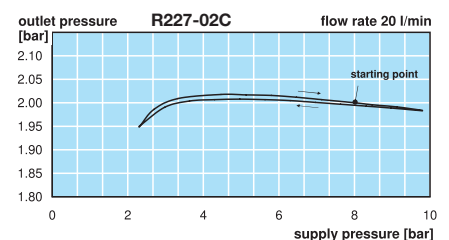
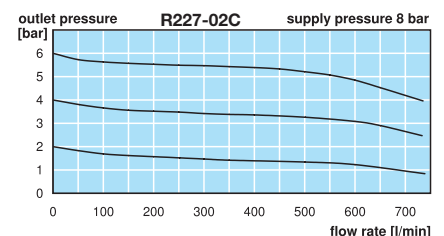
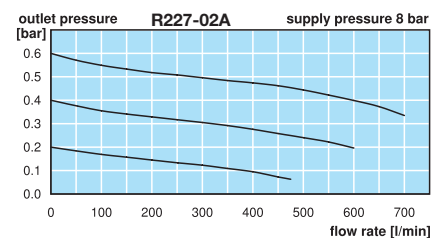
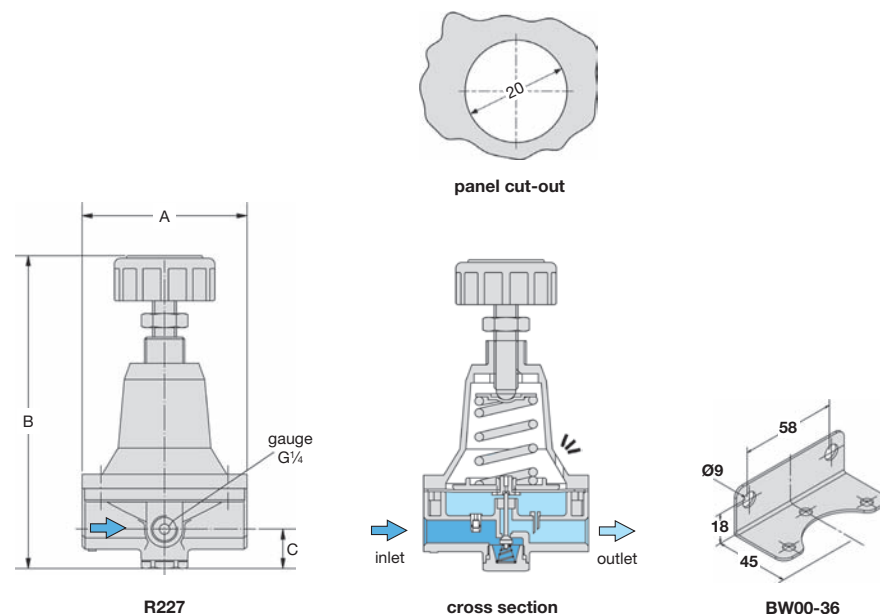
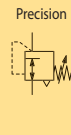
R227

Special options, add the appropriate letter

free of grease and oil specially cleaned R227-0..L

Accessories, enclosed

pressure gauge Ø 63 mm, 0...*2 bar, G $\frac{1}{4}$ MA6302-..*2
 mounting bracket made of steel BW00-36



*1 at 8 bar supply pressure, 6 bar outlet pressure und 1 bar pressure drop
 *2 01 = 0...1 bar, 04 = 0...4 bar, 06 = 0...6 bar, 10 = 0...10 bar, 16 = 0...16 bar



Order example:
R227-02A
 China website: www.duray-control.cn