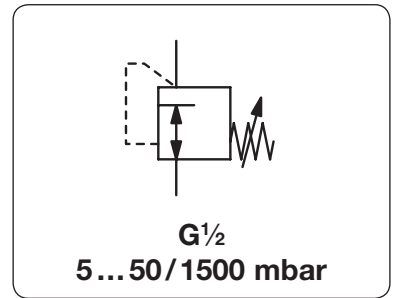


Precision Low Pressure Regulator for Pure Gases

RQ

Description	Precision regulator in mbar range without auxiliary power. Accurate and reliable regulation with large diaphragm for high sensitivity compressed air or non-coRQosive gases up to 5.0 purity (99.999% vol.)	
Media	compressed air or non-coRQosive gases up to 5.0 purity (99.999% vol.)	
Supply pressure	max. 20 bar	
Air consumption	without constant bleed	
Adjustment	by handwheel with locknut	
Relieving function	non-relieving	
Gauge port	G $\frac{1}{2}$ on the bottom side of the body, screw plug supplied	
Mounting position	any	
Temperature range	-20 °C to 70 °C / -4 °F to 158 °F, for CO $_2$ up to 40 °C / 104 °F	
Material	Body:	grey-coated brass
	Diaphragm:	EPDM with PTFE coating
	O-rings:	NBR/Buna-N
	Inner valve:	brass



Dimensions			Flow rate		Connection thread	Pressure range	Order number
A	B	C	m 3 /h*1	l/min*1	G	mbar/bar	

Low pressure regulator

supply max. 20 bar
non-relieving, without constant bleed

RQ

164	156	41	5	75	G $\frac{1}{2}$	5... 50 mbar	RQ-04A
			12	200		10... 100 mbar	RQ-04B
			30	500		50... 500 mbar	RQ-04C
			45	750		0.1... 1 bar	RQ-04D
			51	850		0.2... 1.5 bar	RQ-04E



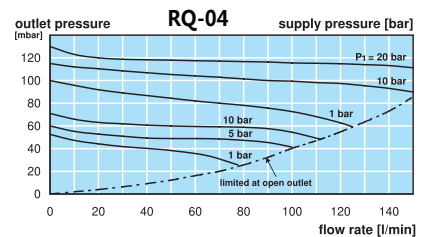
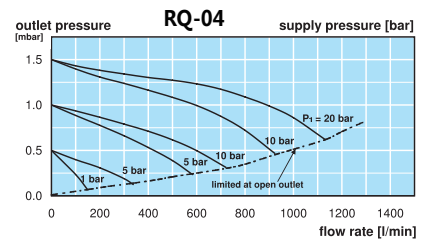
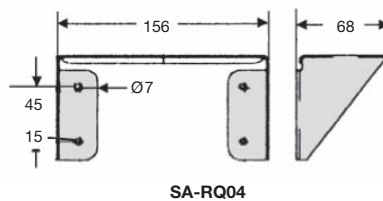
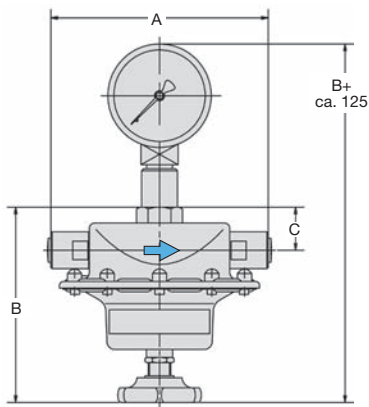
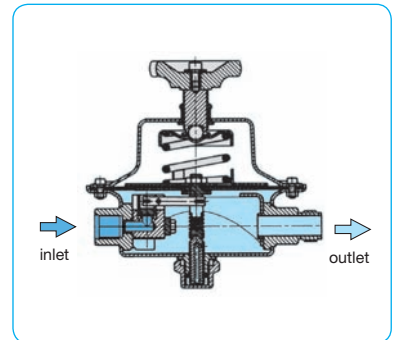
RQ-04D

Special options, add the appropriate letter

free of grease and oil	suitable for oxygen and flammable gases	RQ-...L
pressure gauge	Ø 100 mm, 0... bar, handwheel at the bottom	RQ-...G

Accessories, enclosed

mounting bracket	made of steel	SA-RQ04
-------------------------	---------------	---------



*1 at 6 bar supply pressure and open outlet



Order example:
RQ-04A

China website: www.duray-control.cn