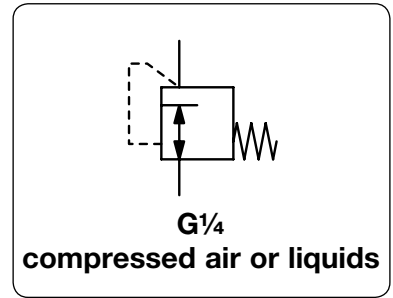




Description	In-Line pressure regulator with factory-set outlet pressure, reducing from e.g. 15 bar to 5 bar. Pressure stability with different flow rates is guaranteed with an outlet pressure tolerance of $\pm 20\%$.
Benefits	<ul style="list-style-type: none"> • Higher safety through lower pressure. Tools and equipment protected against pressure damages. • Cost reduction through substantially reduced air consumption. Longer service life. • Noise reduction for tools.
Media	compressed air, non-corrosive gases
Supply pressure	max. 18 bar
Adjustment	Select the pressure regulator according to the desired outlet pressure. The outlet pressure cannot be subsequently adjusted. This safeguards against tampering.
Relieving function	non-relieving, therefore not recommended for applications such as nailers
Temperature range	0 °C to 60 °C / 32 °F to 140 °F, for appropriately conditioned compressed air down to -30 °C / -22 °F
Material	Body: cadmium-plated steel Elastomer: NBR/Buna-N, optionally FKM



Dimensions			Flow rate	Supply pressure	Connection thread	Outlet pressure	Order number
Ø A	B	A/F	l/min*1	max. bar	G	bar	
mm	mm	mm					

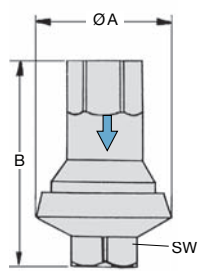
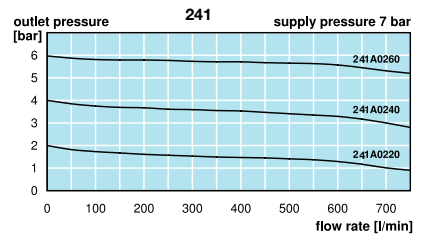
Regulator for air				supply pressure max. 18 bar, non-relieving, accuracy $\pm 20\%$, made of cadmium-plated steel		241	
34	52	17	700	18	G1/4	1.0	241A0210
						2.0	241A0220
						3.0	241A0230
						4.0	241A0240
						5.0	241A0250
						6.0	241A0260
						7.0	241A0270
						8.0	241A0280



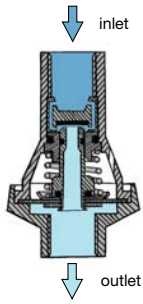
241A0240

Special options, add the appropriate letter

NPT	connection thread	241.1...
deviant pressure range	indicate on order	241..2.. XX



241A0...



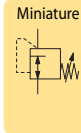
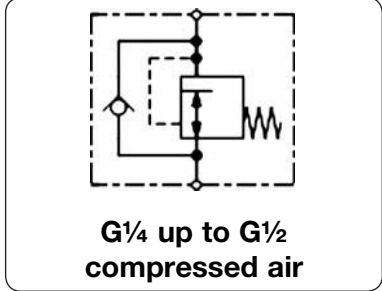
cross section

*1 at 7 bar supply pressure, respective outlet pressure and 1 bar pressure drop, for water: supply pressure 2 bar above outlet pressure



Order example:
241A0210
China website: www.duray-control.cn

Description	In-Line pressure regulator with factory-set outlet pressure, reducing from e.g. 15 bar to 6 bar. With an outlet pressure tolerance of only ±10% it is especially suitable for nailing machines.
Benefits	<ul style="list-style-type: none"> • Higher safety through lower pressure. Tools and equipment protected against pressure damages. • Cost reduction through substantially reduced air consumption. Longer service life. • Noise reduction for tools.
Media	compressed air or non-corrosive gases
Supply pressure	max. 25 bar
Adjustment	Select the pressure regulator according to the desired outlet pressure. The outlet pressure cannot be subsequently adjusted. This safeguards against tampering.
Relieving function	relieving at removal of supply pressure
Temperature range	0 °C to 80 °C / 32 °F to 176 °F
Material	Body: aluminium Elastomer: NBR/Buna-N



Dimensions				Flow rate	Supply pressure	Connection thread	Outlet pressure	Order number
ØA	B	A/F1	A/F2					
mm	mm	mm	mm	l/min*1	max. bar	G	bar	

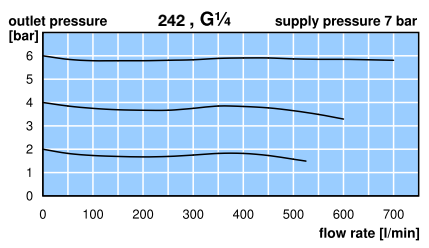
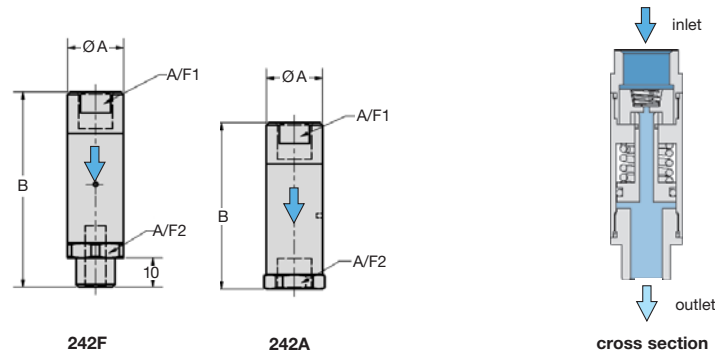
Regulator with relieving function								supply pressure max. 25 bar, accuracy ±10%, aluminium body	242
19	64	16	19	600	25	G ¹ / ₄ /m	2	242F0220	
								242F0240	
								242F0260	
								242F0280	
19	54	16	19	600	25	G ¹ / ₄	2	242A0220	
								242A0240	
								242A0260	
								242A0280	
25	60	22	25	1500	25	G ³ / ₈	2	242A0320	
								242A0340	
								242A0360	
								242A0380	
30	68	27	30	2500	25	G ¹ / ₂	2	242A0420	
								242A0440	
								242A0460	
								242A0480	



Special options, add the appropriate letter

NPT connection thread 242. 1 . . .

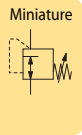
deviant pressure range indicate on order 242. . . XX



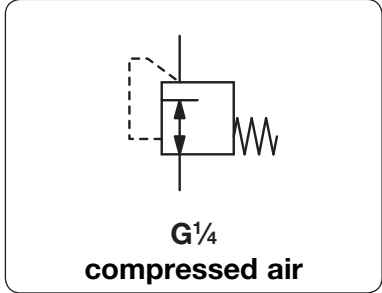
*1 at 7 bar supply pressure, respective outlet pressure and 1 bar pressure drop



Order example:
242F0220
China website: www.duray-control.cn



Description	Cartridge pressure regulator suitable for assembly block.	
Media	compressed air or non-corrosive gases	
Supply pressure	max. 12 bar	
Adjustment	Select the pressure regulator according to the desired outlet pressure. The outlet pressure cannot be subsequently adjusted. This safeguards against tampering.	
Relieving function	non-relieving	
Temperature range	-20 °C to 60 °C / -4 °F to 140 °F	
Material	Body: brass Elastomer: NBR/Buna-N	Piston: brass Filter: stainless steel



Dimensions		Flow rate l/min*1	Supply pressure max. bar	Connection thread G	Outlet pressure bar	Order number
A	A/F					
mm	mm					

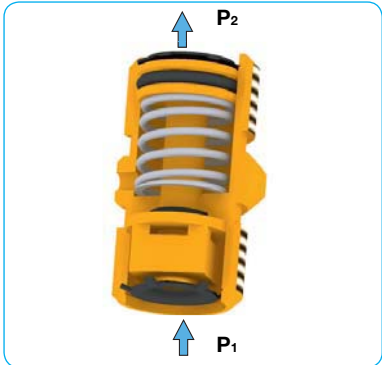
Factory-set outlet pressure				supply pressure max. 12 bar non-relieving	Connection thread	Outlet pressure	Order number
24	14	400	12	G1/4	2	243G0220	
					4	243G0240	
					6	243G0260	



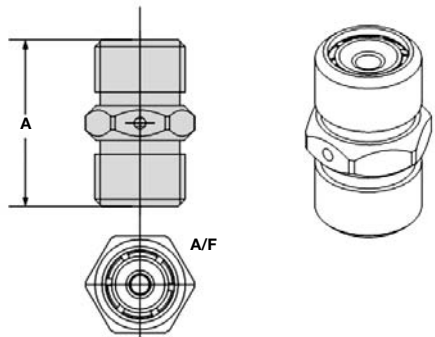
243

Special options, add the appropriate letter

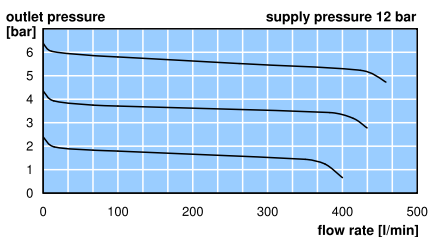
NPT	connection thread	243G X2.0
-----	-------------------	-----------



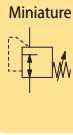
cross section



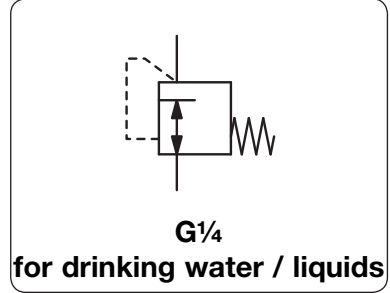
243



Order example:
243G0220
China website: www.duray-control.cn



General	In-Line pressure regulator with factory-set outlet pressure, reducing from e.g. 10 bar to 5 bar. The outlet pressure cannot be subsequently adjusted. This safeguards against tampering.	
	249A	249C
Description	regulator for liquids, compressed air and non-corrosive gases	regulator for drinking water conforms to the DIN 50930-6 / FDA / EU / TÜV drinking water directives
Application	water, hydraulik and sprinkler systems, cooler, cleaning systems	applications areas such as drinking water, food and medical industry
Supply pressure	max. 10 bar for liquids max. 18 bar for compr. air, non-corrosive gases	max. 10 bar for liquids max. 18 bar for compr. air, non-corrosive gases
Temperature range	0 °C to 60 °C / 32 °F to 140 °F	
Material	Body: nickel-plated brass Inner parts: brass Elastomer: NBR/Buna-N, optionally FKM	Body: brass Eco brass® /Cuphin®, unleaded Inner parts: stainless steel Elastomer: NBR/Buna-N, optionally FKM



Dimensions			Flow rate	Supply pressure	Connection thread	Outlet pressure	Order number
ØA	B	A/F	l/min*1	max. bar	G	bar	

Regulator for liquids				brass, supply pressure max. 18 bar, accuracy ±15%*2		249A	
34	52	17	4	10	G1/4	1	249A0210
						2	249A0220
						3	249A0230
						4	249A0240
						5	249A0250
						6	249A0260
						7	249A0270
						8	249A0280



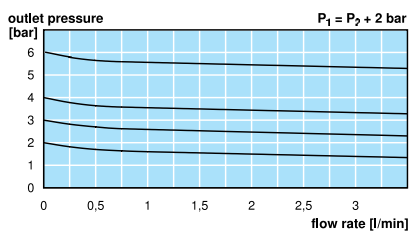
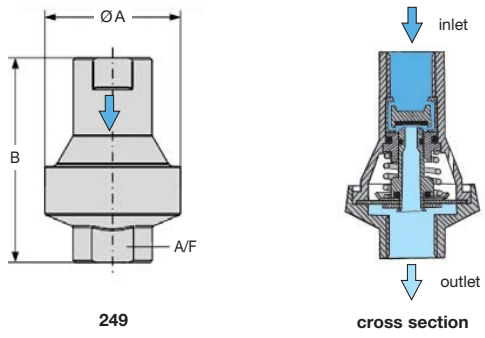
249A0210

Regulator for drinking water				Eco brass®, supply pressure max. 18 bar, accuracy ±15%		249C	
34	52	17	4	10	G1/4	1	249C0210
						2	249C0220
						3	249C0230
						4	249C0240
						5	249C0250
						6	249C0260
						7	249C0270
						8	249C0280



249C0210

Special options, add the appropriate letter			
NPT	connection thread		249.1 . . .
deviant pressure range	indicate on order		249..2 XX
for oxygen	specially cleaned, FKM-Elastome	249A only	249 M . . .



*1 at 2 bar supply pressure above outlet pressure *2 outlet pressure < 3 bar ± 30%



Order example:
249A0210
China website: www.duray-control.cn