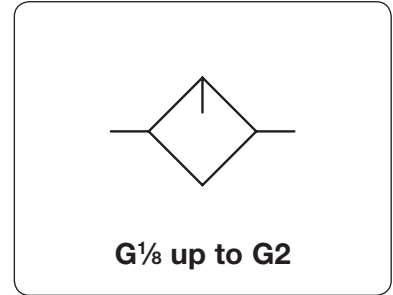


Compressed Air Lubricator Series "D", up to 30 bar

LD

Description	Good value zinc die-cast compressed air lubricator of solid design lubricating in proportion to flow rate. Wall mounting through two drilled holes in the body. Suitable for compressed air or non-corrosive gases.	
Bowl	plastic version, standard or short metal version with or without sight glass	
Operating pressure	max. 12 bar for plastic bowl max. 16 bar for metal bowl with sight glass max. 30 bar for metal bowl without sight glass	
Temperature range	0 °C to 50 °C / 32 °F to 122 °F for plastic bowl 0 °C to 70 °C / 32 °F to 158 °F for metal bowl with sight glass 0 °C to 80 °C / 32 °F to 176 °F for metal bowl without sight glass for appropriately conditioned compressed air down to -30 °C / -22 °F	
Material	Body: zinc die-cast at G $\frac{1}{8}$ and G $\frac{1}{4}$ aluminium at G $\frac{3}{8}$ to G2 Bowl: polyurethane or zinc die-cast Elastomer: NBR/Buna-N	



Dimensions			Bowl		Flow rate	Operating pressure	Connection thread	Order number
A	B	C	Design	Capacity				
mm	mm	mm	made of / with	l	m ³ /h*1	l/min*1	max. bar	G

Lubricator series "D"

LD

40	161	115	plastic	0.05	36	600	12	G $\frac{1}{8}$	LD-01L
40	127	81	plastic, short	0.03			12		LD-01K
40	161	115	metal / sight glass	0.05			16		LD-01M
40	161	115	plastic	0.05	40	660	12	G $\frac{1}{4}$	LD-02L
40	127	81	plastic, short	0.03			12		LD-02K
40	161	115	metal / sight glass	0.05			16		LD-02M
64	214	136	metal / sight glass	0.20	144	2400	16	G $\frac{3}{8}$	LD-03M
			metal				30		LD-03N
64	214	136	metal / sight glass	0.20	156	2600	16	G $\frac{1}{2}$	LD-04M
			metal				30		LD-04N
100	256	178	metal / sight glass	0.50	420	7000	16	G $\frac{3}{4}$	LD-06M
			metal				30		LD-06N
100	256	178	metal / sight glass	0.50	480	8000	16	G1	LD-08M
			metal				30		LD-08N
150	249	169	metal / sight glass	0.50	540	9000	16	G1 $\frac{1}{4}$	LD-10M
			metal				30		LD-10N
150	249	169	metal / sight glass	0.50	600	10000	16	G1 $\frac{1}{2}$	LD-1AM
			metal				30		LD-1AN
199	331	230	metal / sight glass	1.50	1620	27000	16	G1 $\frac{1}{2}$	LD-12M
			metal				30		LD-12N
199	331	230	metal / sight glass	1.50	1680	28000	16	G2	LD-16M
			metal				30		LD-16N



LD-02L

LD-02M



LD-04M



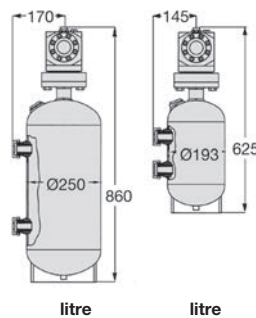
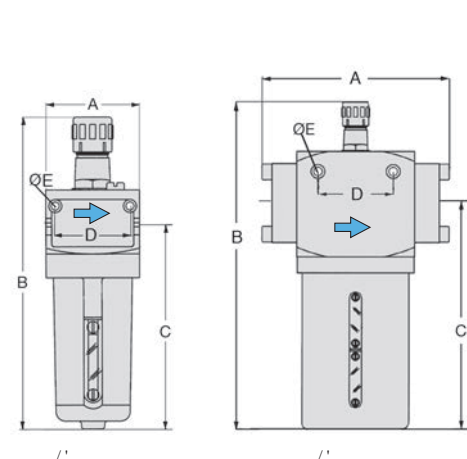
LD-08M



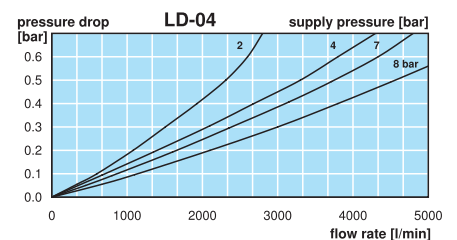
LD-16M

Special options, add the appropriate letter

0.02 litre bowl	made of plastic, max. 12 bar	for G $\frac{1}{8}$ and G $\frac{1}{4}$	LD-0.
8 litre bowl	made of brass, max. 20 bar	for G1 $\frac{1}{2}$ and G2	LD-1..08
24 litre bowl	made of brass, max. 20 bar	for G1 $\frac{1}{2}$ and G2	LD-1..24



type	D	Ø E
LD-01/02	30	4.5
LD-03/04	51	5.5
LD-06 to -1A	76	6.5
LD-12/16	76	8.5



*1 at 7 bar operating pressure and 0.33 bar pressure drop



Order example:
LD-01L

China website: www.duray-control.cn

Lubri-
cators

