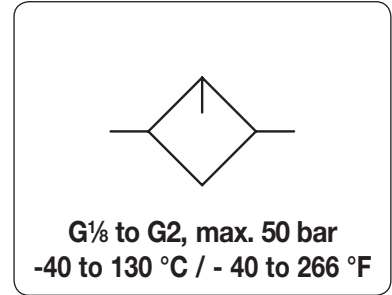


Compressed Air Lubricator Made of Brass, up to 50 bar

LM

Description	Lubricator for compressed air with bowl without sight glass, extremely robust, with manual adjustment of oil drip rate.	
Bowl	stainless steel version without sight glass up to G1,	brass version without sight glass at G1½ and G2
Operating pressure	max. 50 bar	
Temperature range	0 °C to 60 °C / 32 °F to 140 °F for NBR/Buna-N or FKM, for appropriately conditioned air down to -20 °C / -4 °F 0 °C to 130 °C / 32 °F to 266 °F for high temperature version -40 °C to 60 °C / -40 °F to 140 °F for low temperature version	
Material	Body: brass	
	Bowl: stainless steel 316L / material no. 1.4404 at sizes G½ to G1,	brass at G1½ and G2
	Elastomer: NBR/Buna-N, optionally FKM	
	Inner valve: brass and plastic (not at high temperature version)	



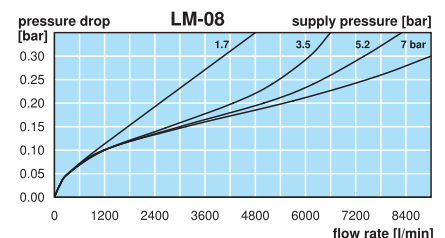
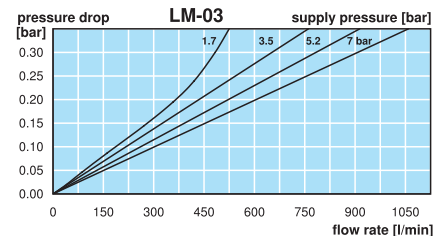
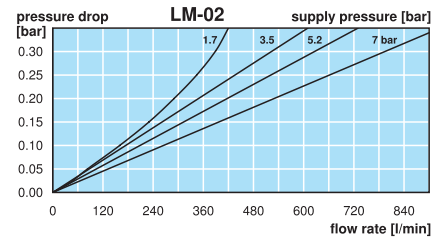
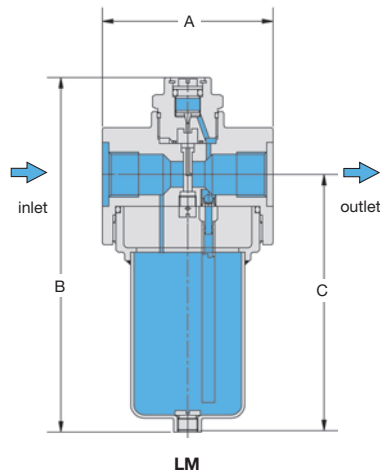
Dimensions			Bowl		Flow rate		Operating pressure	Connection thread	Order number
A	B	C	Design	Capacity	m³/h*1	l/min*1	max. bar	G	

Lubricator made of brass										operating pressure max. 50 bar		LM	
140	124	80	brass	0.04	145	11750	50	G½	LM-01				
164	173	129	stainless steel	0.15	154	11900	50	G¾	LM-02				
					160	11000		G¾	LM-03				
179	175	130	stainless steel	0.21	144	12400	50	G½	LM-04				
					150	12500		G¾	LM-A6				
89	206	168	stainless steel	0.58	480	18000	50	G¾	LM-06				
					492	18200		G1	LM-08				
168	279	224	stainless steel	1.50	720	12000	50	G1½	LM-12				
					780	13000		G2	LM-16				



Special options, add the appropriate letter

NPT	connection thread	LM-..N
8 litre bowl		LM-1.08
24 litre bowl		LM-1.24
down to -40 °C / -40 °F	low temperature version	LM-..X51
up to 130 °C / 266 °F	high temperature version	LM-..X54
FKM elastomer	0 °C to 60 °C / 32 °F to 140 °F	LM-..V
flange connection	see chapter for stainless steel devices / flanges	LM-..F.



*1 at 7 bar operating pressure and 0.33 bar pressure drop



Order example:
LM-01
China website: www.duray-control.cn