

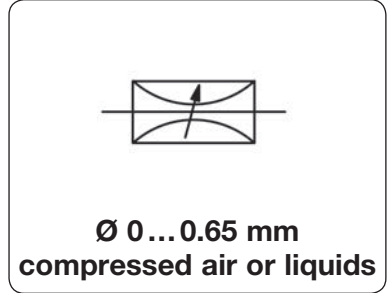
Precision Needle Valve, Ø 0 to 0.65 mm

NV30

Restrictors



Description	The precision needle valve is an manually adjustable flow control valve used in pneumatic and fluid systems. Unique laminar flow design ensures sensitive reproducible control. Ideal for precision gas metering and circuit speed or sequencing control.	
Media	5 µm filtered compressed air, non-corrosive gases or liquids	
Operating pressure	vacuum up to positive pressure of max. 12 bar	
Adjustment	The flow control needle needs 8 screw turns for maximum flow, approximately equal to an 0.65 mm / 0.025" orifice.	
Panel mounting	borehole 8 mm / 0.312", max. panel thickness 3.5 mm / 0.15"	
Temperature range	-40 °C to 95 °C / -40 °F to 203 °F	
Material	Body and needle: nickel-plated brass	Elastomer: NBR/Buna-N



Flow adjustment by	Operating pressure max. bar	Volume flow at 3.5 bar and 6 turns l/min	Nipple diameter Ø mm	Nipple diameter inch	Order number
--------------------	-----------------------------	--	----------------------	----------------------	--------------

Needle valve with knurled screw					operating pressure max. 12 bar, nickel-plated brass, Ø 0...0.65 mm	NV30-K
knurled-head	12	0...32	3.0	1/16"	NV30-2K	
			4.9	1/8"	NV30-4K	

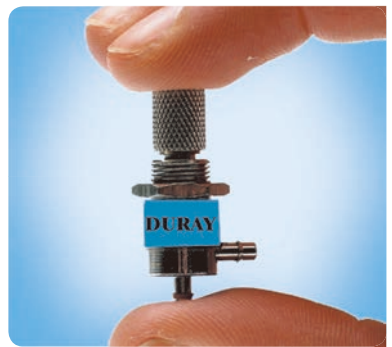
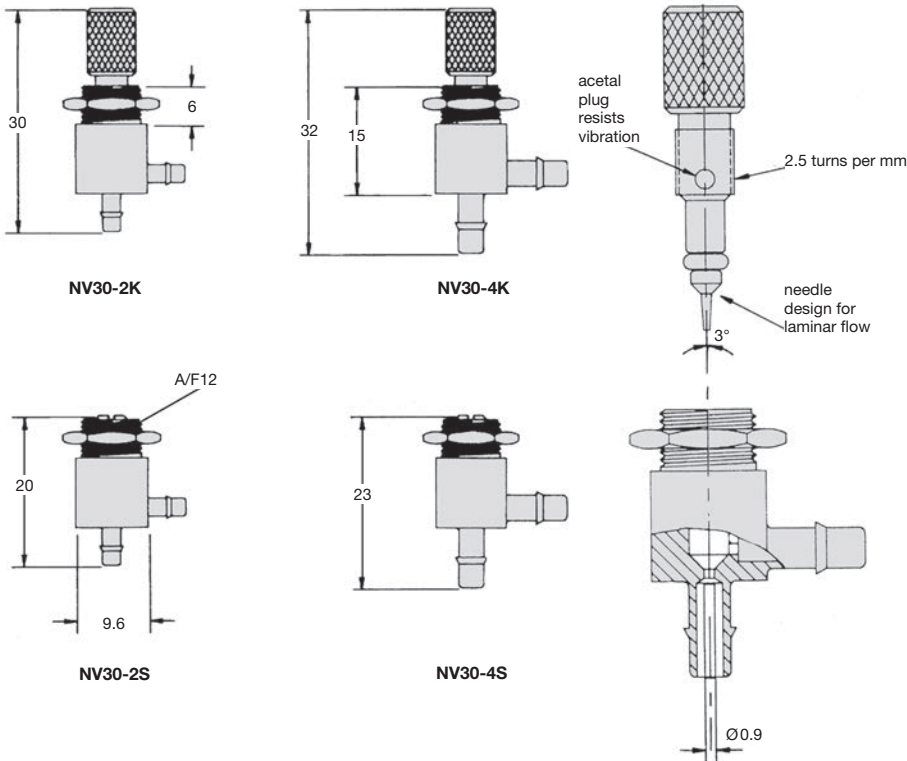


NV30-2K with knurled-head

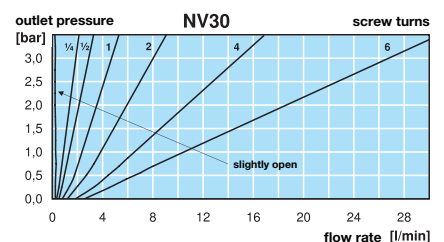
Needle valve with slotted screw					operating pressure max. 12 bar, nickel-plated brass, Ø 0...0.65 mm	NV30-S
slotted screw	12	0...32	3.0	1/16"	NV30-2S	
			4.9	1/8"	NV30-4S	



NV30-4S with slotted screw



NV30-2K



Order example:
NV30-2K
China website: www.duray-control.cn