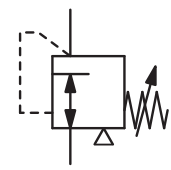


# Miniature Vacuum Pressure Regulator

V800 / V900

<b>Description</b>	Miniature precision vacuum regulator with diaphragm and high outlet pressure constancy. Plastic, wetted sections corrosion-resistant. 20-turn hysteresis-free adjustment range allows pressure setting to 2.5 mbar.		
<b>Media</b>	compressed air or non-corrosive gases		
<b>Supply pressure</b>	max. -1000 mbar		
<b>Accuracy</b>	at supply pressure variation of 170 mbar:	< 4 mbar pressure deviation	
	at supply pressure removal/reapplication:	< 7 mbar pressure deviation	
	setting accuracy:	< 2.5 mbar	
<b>Air consumption</b>	0.3 l/min at -1000 mbar supply pressure		
<b>Adjustment</b>	by plastic knob, adjusting screw or preset		
<b>Gauge port</b>	not available		
<b>Mounting position</b>	any		
<b>Temperature range</b>	4 °C to 66 °C / 39 °F to 151 °F		
<b>Material</b>	Body:	polysulfone	Elastomer: NBR/Buna-N
	Inner valve:	stainless steel and acetal	



**10-32" or flangeable**  
**0 ... -350/-850 mbar**

Dimensions			Pressure adjustment	Flow rate	Vacuum range	Order number
A	B	C				
mm	mm	mm	by	l/min	mbar	

Vacuum regulator 10-32"				supply pressure max. -1000 mbar, with constant bleed	V900-W	
29	78	8	adjusting knob	22	-350 ... 0	V900-10WK
					-850 ... 0	V900-30WK
29	60	8	adjusting screw	22	-350 ... 0	V900-10WOS
					-850 ... 0	V900-30WOS
29	43	8	preset	22	indicate on order	V901-..



Vacuum regulator with flange				supply pressure max. -1000 mbar, with constant bleed	V900-M	
29	78	8	adjusting knob	22	-350 ... 0	V900-10MWK
					-850 ... 0	V900-30MWK
29	60	8	adjusting screw	22	-350 ... 0	V900-10MWOS
					-850 ... 0	V900-30MWOS
29	43	8	preset	22	indicate on order	V901-..M

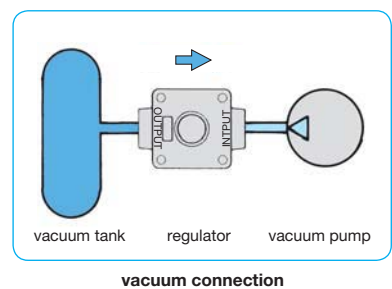
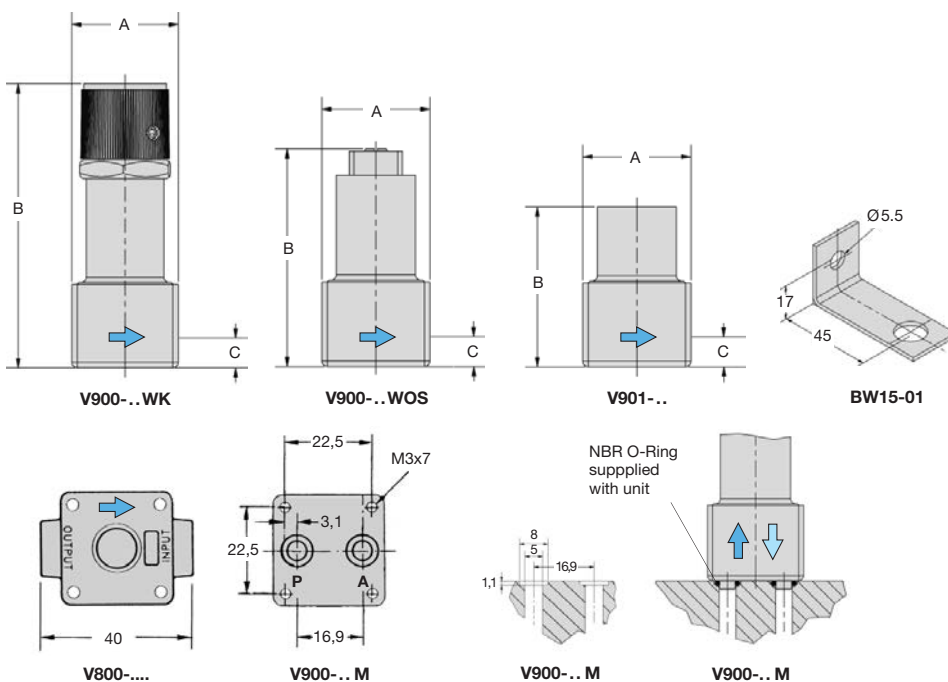
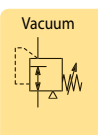


**Special options,** add the appropriate letter or number

1/8" NPT      connection thread, width 40 mm      V8. ....

**Accessories,** enclosed

mounting bracket      made of steel      BW15-01



**Order example:**  
**V900-10WK**  
China website: [www.duray-control.cn](http://www.duray-control.cn)