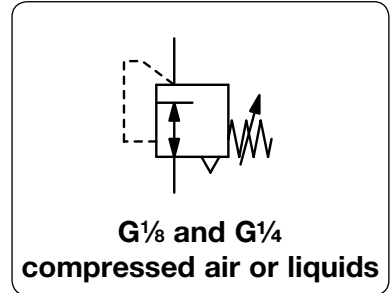


# Plastic Miniature Precision Pressure Regulator

R038 / R039

Miniature

<b>Description</b>	Diaphragm miniature pressure regulator made of plastic and of small and lightweight design. Regulator R039 has increased accuracy due to a rolling diaphragm and a piston compensated to inlet pressure.
<b>Media</b>	compressed air, non-corrosive gases or liquids
<b>Supply pressure</b>	max. 16 bar
<b>Air consumption</b>	without constant bleed, except for R039-F with max. 3 l/min air consumption
<b>Adjustment</b>	by plastic knob with snap-lock
<b>Relieving function</b>	relieving for compressed air, red adjusting knob non-relieving for liquids, black adjusting knob
<b>Gauge port</b>	G $\frac{1}{8}$ on both sides of the body, screw plugs supplied
<b>Mounting position</b>	any
<b>Temperature range</b>	0 °C to 50 °C / 32 °F to 122 °F for NBR/Buna-N 0 °C to 70 °C / 32 °F to 158 °F for EPDM
<b>Material</b>	Body: POM with brass thread insert Elastomer: NBR/Buna-N, optionally EPDM Inner valve: brass, optionally stainless steel at EPDM version



Dimensions			Flow rate		Connection	Pressure	Order no.	Order no.
A	B	C	water	air	thread	range	for water	compressed air
mm	mm	mm	l/min*1	l/min*1	G	bar	non-relieving	relieving

Miniature pressure regulator							supply pressure max. 16 bar		R038	
40	76	11	5	350	G $\frac{1}{8}$	0 ... 2	R038-01AK	<b>R038-01A</b>		
						0 ... 4	R038-01BK	<b>R038-01B</b>		
						0 ... 6	R038-01CK	<b>R038-01C</b>		
						0 ... 8	R038-01DK	<b>R038-01D</b>		
						0 ... 12	R038-01EK	<b>R038-01E</b>		
40	76	11	5	380	G $\frac{1}{4}$	0 ... 2	R038-02AK	<b>R038-02A</b>		
						0 ... 4	R038-02BK	<b>R038-02B</b>		
						0 ... 6	R038-02CK	<b>R038-02C</b>		
						0 ... 8	R038-02DK	<b>R038-02D</b>		
						0 ... 12	R038-02EK	<b>R038-02E</b>		



R038-02C R039-01CK

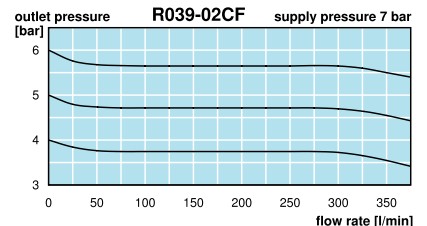
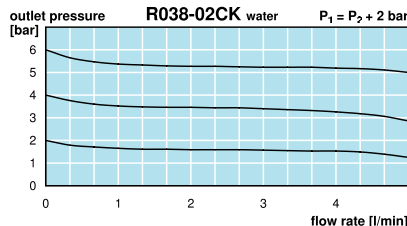
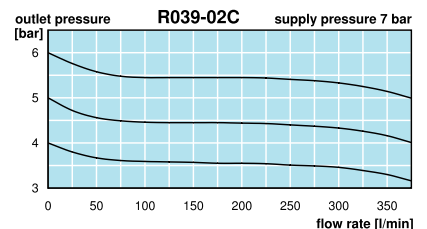
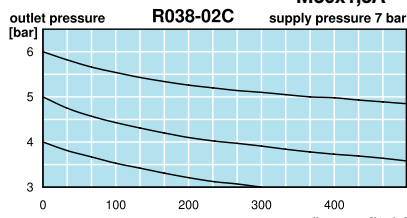
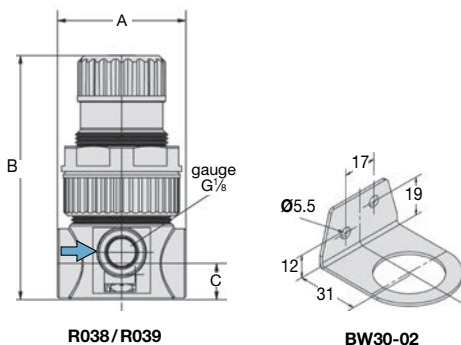
Regulator w. increased accuracy							supply pressure max. 16 bar, w. rolling diaphragm, inlet pressure-compensated		R039	
40	76	11	5	350	G $\frac{1}{8}$	0 ... 2	R039-01AK	<b>R039-01A</b>		
						0 ... 4	R039-01BK	<b>R039-01B</b>		
						0 ... 6	R039-01CK	<b>R039-01C</b>		
						0 ... 8	R039-01DK	<b>R039-01D</b>		
						0 ... 12	R039-01EK	<b>R039-01E</b>		
40	76	11	5	380	G $\frac{1}{4}$	0 ... 2	R039-02AK	<b>R039-02A</b>		
						0 ... 4	R039-02BK	<b>R039-02B</b>		
						0 ... 6	R039-02CK	<b>R039-02C</b>		
						0 ... 8	R039-02DK	<b>R039-02D</b>		
						0 ... 12	R039-02EK	<b>R039-02E</b>		



R038-01BKME  
free of non-ferrous metal, SST and EPDM

Special options, add the appropriate letter				
precision regulator	with constant bleed	R039 only	R039-0..F	
plastic housing	EPDM elastomer, SST inner valve	R038-01..K only	R038-01..KME	
adjustment lock	non-adjustable knob		R03..0..T	
free of grease and oil	specially cleaned, suitable for oxygen	R038 only	R038-0..L	
without gauge port			R03..0..X02	
for oxygen	specially cleaned, with oxygen grease	not for R039-0..F	R039-0..15	

Accessories, enclosed			
pressure gauge	Ø 40 mm, 0...*2 bar, G $\frac{1}{8}$		<b>MA4001-..*2</b>
mounting bracket	made of steel		<b>BW30-02</b>
mounting nut	made of plastic		<b>M30x1,5K</b>
	made of aluminium		<b>M30x1,5A</b>



\*1 at 7 bar supply pressure, 6 bar outlet pressure and 1 bar pressure drop, for water: supply pressure 2 bar above outlet pressure.  
\*2 02 = 0...2.5 bar, 04 = 0...4 bar, 10 = 0...10 bar, 16 = 0...16 bar



**Order example:**  
R038-01AK  
China website: www.duray-control.cn