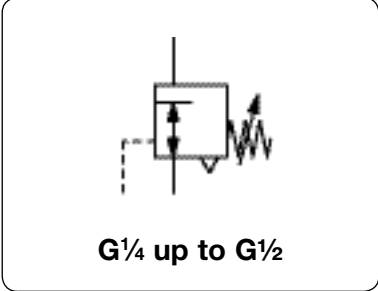


# Pressure Regulator with External Feedback

R10-R

<b>Description</b>	All-purpose, high-performance, compact diaphragm regulator with high flow. Due to the external feedback regulation is significantly improved and the flow rate increased.	
<b>Media</b>	compressed air	
<b>Supply pressure</b>	max. 21 bar	<b>Air consumption</b> approx. 2 l/min
<b>Adjustment</b>	R10: by plastic knob with snap-lock,	R11: by T-handle with locknut
<b>External feedback</b>	should be installed on that point where pressure stability is desired, e.g. at least 50 cm after the outlet or in the case of a combination with a volume booster at the booster outlet.	
<b>Relieving function</b>	relieving	
<b>Gauge port</b>	not available	
<b>Temperature range</b>	R10-R: 0 °C to 50 °C / 32 °F to 122 °F	<b>Mounting position</b> any
<b>Material</b>	R11-R: 0 °C to 70 °C / 32 °F to 158 °F, for appropriately conditioned compressed air down to -30 °C / -22 °F	
	Body: zinc die-cast	zinc die-cast at R11
	Spring cage: glass fibre-reinforced plastic at R10,	zinc die-cast at R11
	Elastomer: NBR/Buna-N, optionally FKM	Inner valve: brass, optionally stainless steel



Dimensions			K <sub>v</sub> value (m³/h)	Flow rate		Connection thread G	Pressure range bar	Order number
A mm	B mm	C mm		m³/h*1	l/min*1			

Regulator with external feedback							supply max. 21 bar, without gauge, relieving, with constant bleed		R10-R
60	124	35	2.0	144	2400	G¼	0.2 ... 1.8	R10-02RA	
							0.2 ... 4.0	R10-02RB	
							0.3 ... 9.0	R10-02RC	
							0.5 ... 17.0	R10-02RD	
60	124	35	2.1	150	2500	G¾	0.2 ... 1.8	R10-03RA	
							0.2 ... 4.0	R10-03RB	
							0.3 ... 9.0	R10-03RC	
							0.5 ... 17.0	R10-03RD	
60	124	35	2.2	156	2600	G½	0.2 ... 1.8	R10-04RA	
							0.2 ... 4.0	R10-04RB	
							0.3 ... 9.0	R10-04RC	
							0.5 ... 17.0	R10-04RD	



R10-02RC with adjusting knob

## Special options, add the appropriate letter

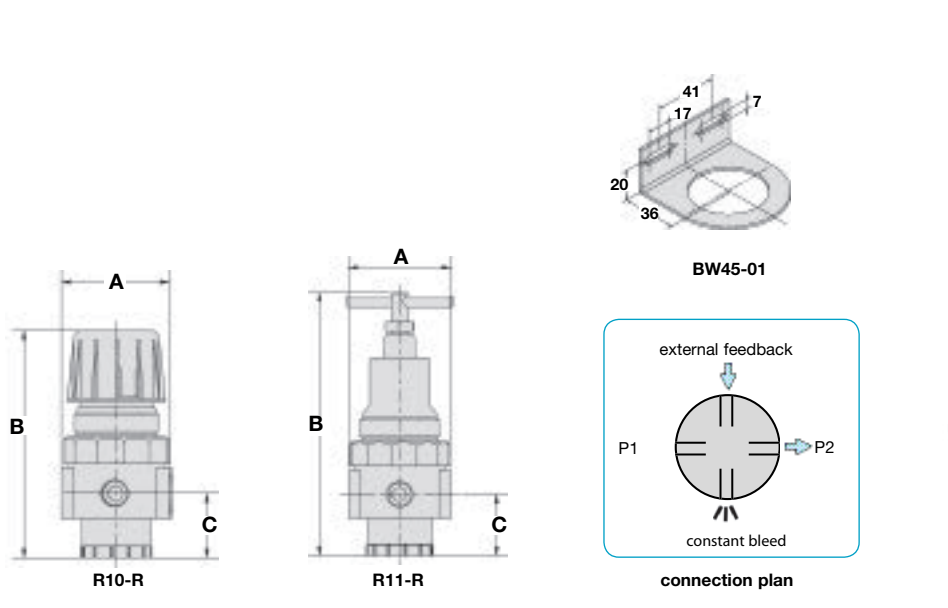
<b>T-handle</b>	including locknut	R11-0. R.
<b>NPT</b>	connection thread	R1. -0. R. N
<b>FKM elastomer</b>	inner parts made of brass	R1. -0. R. X64
	inner parts made of stainless steel, free of non-ferrous metal	R1. -0. R. X08



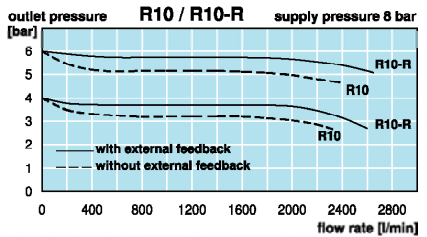
R11-02RC with T-handle

## Accessories, enclosed

<b>mounting bracket</b>	made of steel	<b>BW45-01</b>
<b>mounting nut</b>	made of plastic	<b>M45x1,5K</b>
	made of aluminium	<b>M45x1,5A</b>



example: combination with booster



\*1 at 8 bar supply pressure, 6 bar outlet pressure and 1 bar pressure drop



**Order example:**  
R10-02RA  
China website: www.duray-control.cn