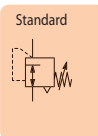
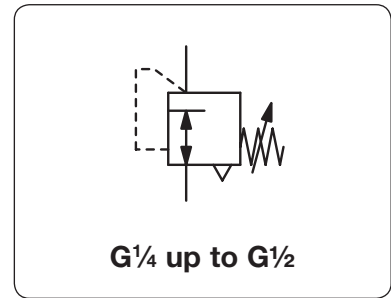


# "Midi" Pressure Regulator

R10 / R11

<b>Description</b>	All-purpose, high-performance, compact diaphragm regulator with high flow.		
<b>Media</b>	compressed air or non-corrosive gases		
<b>Supply pressure</b>	max. 21 bar		
<b>Adjustment</b>	R10: by plastic knob with snap-lock R11: by T-handle with locknut		
<b>Relieving function</b>	relieving, optionally non-relieving		
<b>Gauge port</b>	G $\frac{1}{4}$ on both sides of the body, screw plug supplied		
<b>Mounting position</b>	any		
<b>Temperature range</b>	R10: 0 °C to 50 °C / 32 °F to 122 °F R11: 0 °C to 70 °C / 32 °F to 158 °F, for appropriately conditioned compr. air down to -30 °C / -22 °F		
<b>Material</b>	Body:	zinc die-cast	zinc die-cast at R11
	Spring cage:	glass fibre-reinforced plastic at R10,	Inner valve: brass, optionally stainless steel
	Elastomer:	NBR/Buna-N, optionally FKM	



Dimensions			K <sub>v</sub> value (m <sup>3</sup> /h)	Flow rate		Connection thread G	Pressure range bar	Order number
A mm	B mm	C mm		m <sup>3</sup> /h*1	l/min*1			

"Midi" pressure regulator							supply pressure max. 21 bar, relieving, without pressure gauge	R10	
60	124	35	1.8	132	2200	G $\frac{1}{4}$	0.2 ... 1.8	R10-02A	
								0.2 ... 4.0	R10-02B
								0.3 ... 9.0	R10-02C
								0.5 ... 17.0	R10-02D
60	124	35	1.9	138	2300	G $\frac{3}{8}$	0.2 ... 1.8	R10-03A	
								0.2 ... 4.0	R10-03B
								0.3 ... 9.0	R10-03C
								0.5 ... 17.0	R10-03D
60	124	35	2.0	144	2400	G $\frac{1}{2}$	0.2 ... 1.8	R10-04A	
								0.2 ... 4.0	R10-04B
								0.3 ... 9.0	R10-04C
								0.5 ... 17.0	R10-04D



**R10-02C**  
with knob, accessory: gauge

## Special options, add the appropriate letter

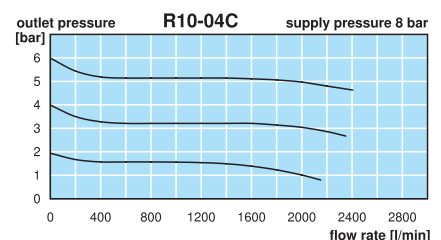
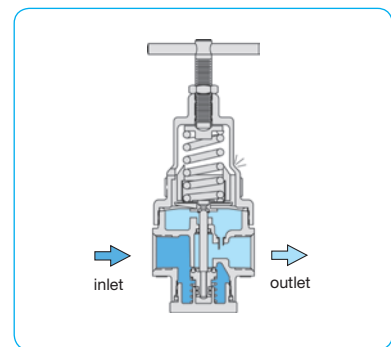
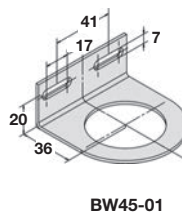
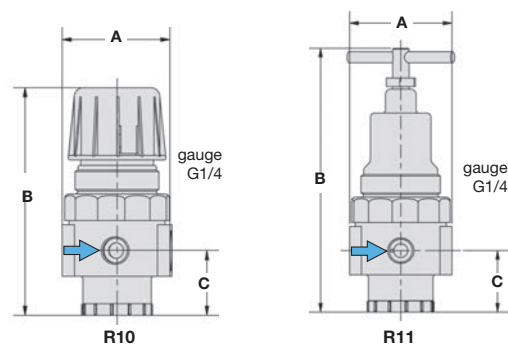
<b>T-handle</b>	including locknut	R11-0..
<b>NPT</b>	connection thread	R1.-0..N
<b>non-relieving</b>		R1.-0..K
<b>FKM elastomer</b>	inner parts made of brass	R1.-0..X64
	inner parts made of stainless steel	R1.-0..X08



**R11-02C**  
with T-handle, accessory: gauge

## Accessories, enclosed

<b>pressure gauge</b>	Ø 50 mm, 0...*2 bar, G $\frac{1}{4}$	MA5002-...*2
<b>mounting bracket</b>	made of steel	BW45-01
<b>mounting nut</b>	made of plastic	M45x1,5K
	made of aluminium	M45x1,5A



\*1 at 8 bar supply pressure, 6 bar outlet pressure and 1 bar pressure drop.  
\*2 02 = 0...2.5 bar, 04 = 0...4 bar, 10 = 0...10 bar, 25 = 0...25 bar



**Order example:**  
R10-02A  
China website: www.duray-control.cn