

GENERAL CHARACTERISTICS

The sensor probe contains a metering liquid which expands with increasing temperature and by means of a flexible diaphragm triggers an adjustable micro switch. The adjustment of the micro switch is provided by an external adjustment dial.

- * externally adjustable
- * optional installation

Male thread G1/2A brass

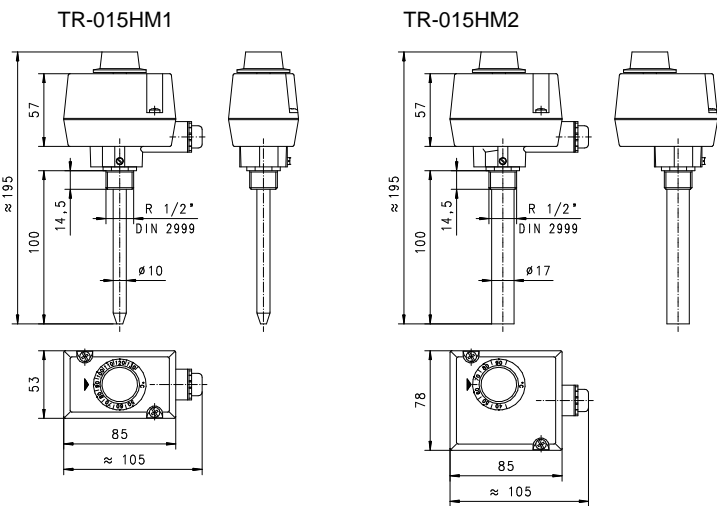


TR-015HM1

TECHNICAL DATA

adjustable range	TR-015HM1	externally adjustable	50 - 130°C
	TR-015HM2	externally adjustable	35 - 95°C
		internally adjustable	50 - 130°C

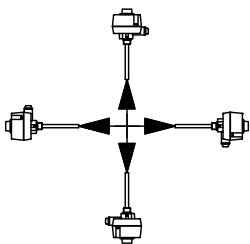
adjustment	in 5°C increments		
tolerance	±5K		
pressure	PN 16 bar		
media temperature	max. 145°C		
ambient Temperature	max. 80°C		
hysteresis	TR-015HM1	8K	
	TR-015HM2	5K	
weight	TR-015HM1	0.3kg	
	TR-015HM2	0.5kg	



MATERIALS

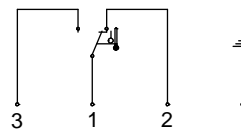
body	brass nickel plated
immersion sleeve	brass nickel plated
probe	copper nickel plated
cap	plastic

MOUNTING POSITION

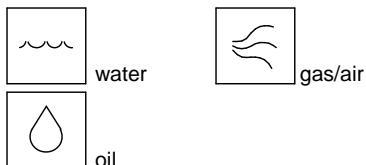


ELECTRICAL DATA

micro switch
 wiring 0.342 change over
 250 V AC 15 A (8 A inductive)
 cable gland Pg13.5
 protection class IP 43



METERING SUBSTANCES



NOMENCLATURE

TR-	015	H	M	1	basic type
	015				specification
		H			● connection thread R1/2"
			M		● socket thread
				1	● brass design
				2	● 1 contact
					● 2 contacts
Programme option BASIC					○ length of probe 200mm switch range on request
					probe stainless steel 1.4301
					protection class IP 54

All technical changes reserved

- BASIC Standard
- BASIC Programme option
- VARIO Special option
- ⊕ PLUS Accessories
- ✗ not recommendable