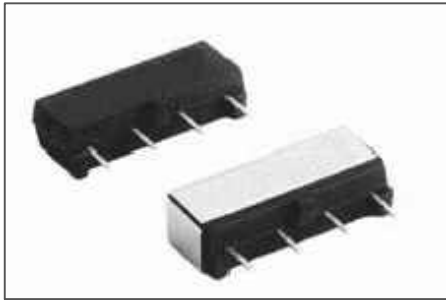


SIP Reed Relays



DESCRIPTION

SIP(Single-In-Line Package)Reed Relays reduce the required space to a minimum, Requiring only half the PCB area of the DIP or DIL series, the SIP relays offer all the advantages of Reed Technology. SIP Reed Relays have an internationally usual pin allocation and are thereby compatible to nearly all other manufacturers.

FEATURES

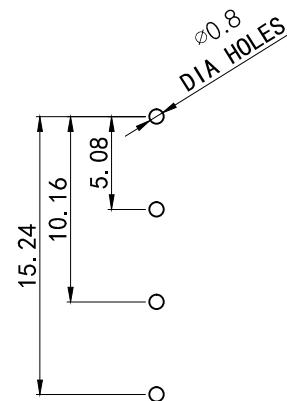
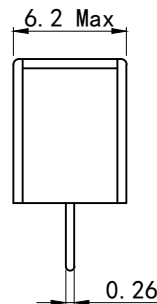
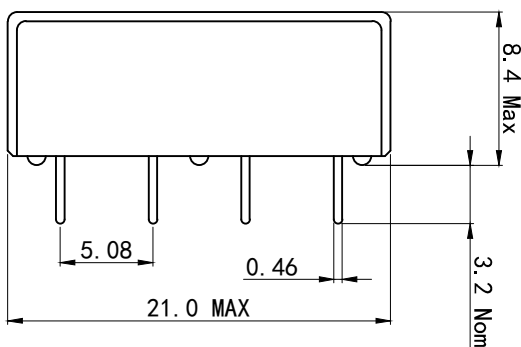
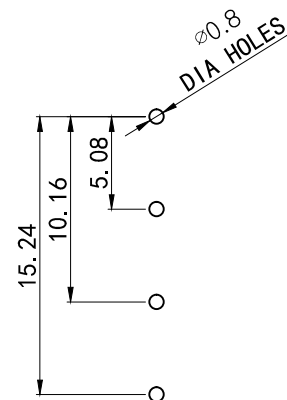
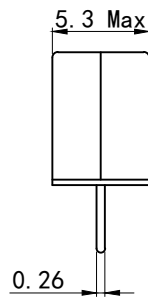
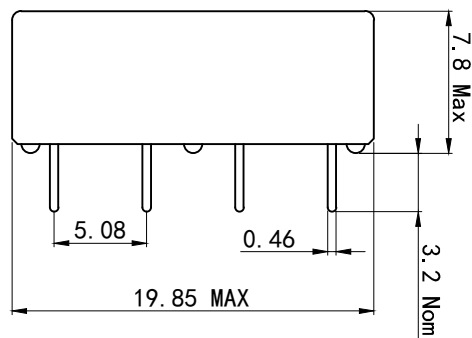
- Epoxy molded, single-in-line package.
- Can be immersed during board cleaning operations.
- High density board mounting.
- High isolation between input and output.
- Standard nominal coil voltage=5, 12 and 24 volts.
- Can be meet special requirements for coil voltage and/or coil resistance.

APPLICATIONS

- ATE
- In-circuit tester
- Alarm & Security
- Consumer Electronic

DIMENSIONS

all dimensions in mm



RELAY DATA

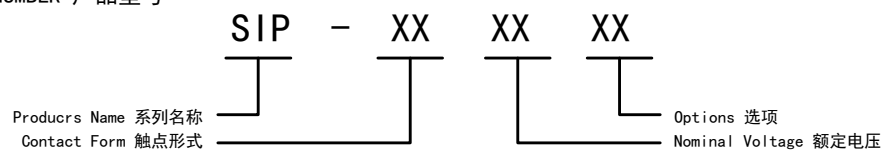
All Data at 20°C		Contact Form →		Form A			
Contact Ratings		Conditions		Min.	Typ.	Max.	Units
Switching Power	Any DC combination of V & A not to exceed their individual max.'s				10	W	
Switching Voltage	DC or peak AC				100	V	
Switching Current	DC or peak AC				1.0	A	
Carry Current	DC or peak AC				1.2	A	
Static Contact Resistance	w/ 0.5 V & 10mA				160	m Ω	
Dynamic Contact Resistance	Measured w/ 0.5 V & 50mA , 1.5 ms after closure				200	m Ω	
Insulation Resistance across Contacts	Across Contact Coil - Contact		10 ¹⁰ 10 ¹²	10 ¹³		Ω	
Breakdown Voltage across Contacts	Across Contact Coil - Contact		220 1500			VDC	
Operation Time incl. Bounce	at nominal voltage				0.5	ms	
Release Time	with no coil suppression				0.1	ms	
Capacitance	Across Contact Coil - Contact			0.4 2.0		pF	

Life Expectance					
Switch Voltage 5V - 10 mA	DC <10 pF stray cap.		100		10 ⁶ Cycles

Environmental Data					
Shock Resistance	1/2 sinus wave for 11 ms			50	g
Vibration Resistance	10 - 2000 Hz			20	g
Ambient Temperature	10°C/ minute max. allowable			70	°C
Stock Temperature	10°C/ minute max. allowable	-35		95	°C
Soldering Temperature	5 sec.			260	°C

ORDER INFORMATION

PART NUMBER 产品型号



Picture	Part Number	Schematic Contact Form (Bottom View)	Nominal Voltage (VDC)	Coil Resistance (ohms±10%)	Nominal Input Power(mW)	Must Release Voltage (VDC)	Must Operate Voltage (VDC)	Maximum Voltage (VDC)
	SIP-1A05	1Form A	5	500	50	3.75	0.6	15.0
	SIP-1A12		12	1000	144	8.60	1.6	30.0
	SIP-1A24		24	2000	288	17.50	2.5	40.0

- Options:**
 Nil:Std Type
 B:Diode
 S:Magnetic Shield
 BS:Diode and Magnetic Shield