

HVR24-2A04-02

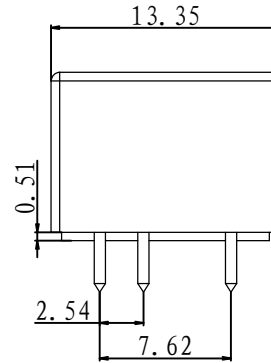
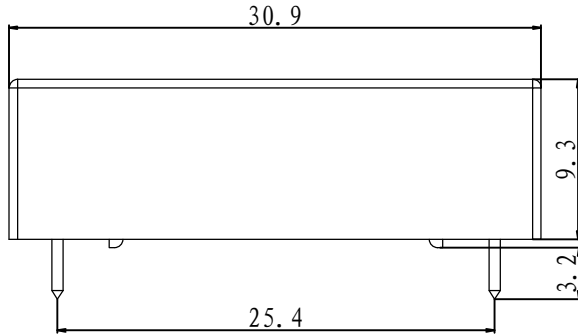
- High Voltage Reed Relay
- Coil Voltage 24V
- Breakdown up to 4KV

Misensor Tech (Shanghai) Co., Ltd
 Add: No. 25 Hangming Road Hangtou Town,
 Pudong new district, Shanghai
 TEL: 021- 60976200 FAX: 021-60976212
 Http://www.Misensor.cn

[Outline Dimension]

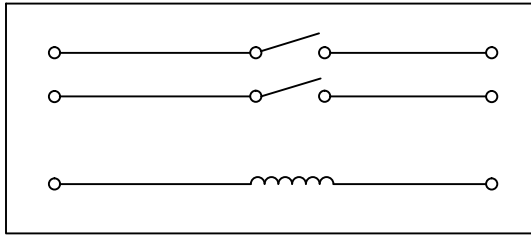
Unit: mm

Scale: 2.5:1



[Pin Layout]

[Top View]



Order Information

HVR24-2A04-02

Coil Parameters		Relay Parameters	
1 Nominal coil voltage	24 VDC	1 Min Breakdown Voltage	4K VDC
2 Max Operating voltage	29 VDC	2 Dielectric Strength coil/contact	4K VDC
3 Max Pull-in voltage	18 VDC	3 Insulation Resistance coil/contact	1.00E+12ohm
4 Min Drop-out voltage	2.0 VDC	4 Operate Time, incl. Bounce	1.0ms
5 Coil Resistance	1600ohm	5 Reset Time	0.1ms
Contact Parameters		6 Capacitance Across Contacts	0.2pF
1 Max Contact Rating	100 W	7 Storage Temperature	-35 +105°C
2 Max Switch Voltage	1000VACpeak/VDC	8 Operating Temperature	-20 +70 °C
3 Max Switch Current	1.0 A	9 Soldering Temperature	5 sec. max 260°C
4 Max Carrying Current	2.5 A		
5 Min Breakdown Voltage	4K VDC		
6 Max Contact Resistance	150 mohm		

Version: 02	Designed by		TITLE	
	Checked by		2 Form A Reed Relay	
	Approved by		P/N	Scale: 2.5:1
	Date	5th, Dec, 2010	HVR24-2A04-02	Page: 1/1