

### HVR12-2A20-150

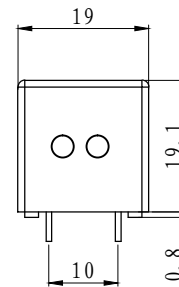
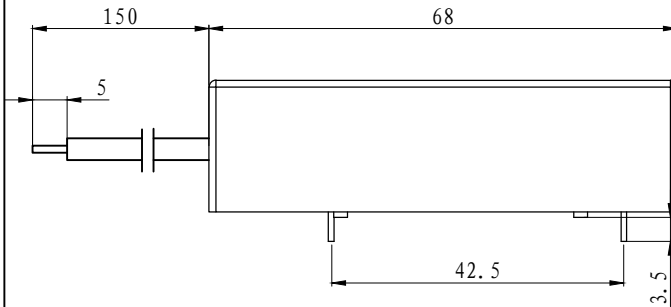
- High Voltage Reed Relay
- Coil Voltage 12V
- Breakdown up to 20KV

Misensor Tech (Shanghai) Co., Ltd  
 Add: No. 25 Hangming Road Hangtoun Town,  
 Pudong new district, Shanghai  
 TEL: 021- 60976200 FAX: 021-60976212  
 Http://www.Misensor.cn  
 E-mail: Postmaster@misensing.com

[Outline Dimension]

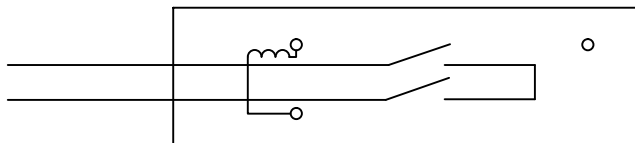
Unit: mm

Scale: 1/1



[Pin Layout]

[Top View]



Order Information
HVR12-2A20-150

Coil Parameters		Relay Parameters	
1 Nominal coil voltage	12 VDC	1 Min Breakdown Voltage	20K VDC
2 Max Operating voltage	16 VDC	2 Dielectric Strength coil/contact	20K VDC
3 Max Pull-in voltage	9.0 VDC	3 Insulation Resistance coil/contact	1.00E+12ohm
4 Min Drop-out voltage	1.0 VDC	4 Operate Time, incl. Bounce	3.0ms
5 Coil Resistance	85ohm	5 Reset Time	1.5ms
Contact Parameters		6 Capacitance Across Contacts	0.8pF
1 Max Contact Rating	50 W	7 Storage Temperature	-35 +105°C
2 Max Switch Voltage	10K VACpeak/VDC	8 Operating Temperature	-20 +70 °C
3 Max Switch Current	3.0 A	9 Soldering Temperature	5 sec. max 260°C
4 Max Carrying Current	5.0 A		
5 Min Breakdown Voltage	20K VDC		
6 Max Contact Resistance	250 mohm		

Version: 01	Designed by		TITLE High Voltage Reed Relay	
	Checked by			
	Approved by		P/N HVR12-2A20-150	Scale: 1:1
	Date	5th, Oct, 2010		Page: 1/1