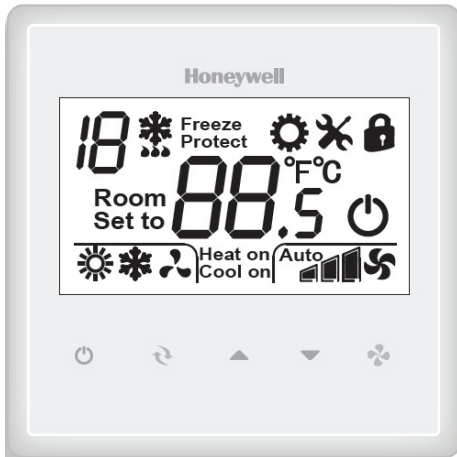


Large LCD Digital Thermostat 220 VAC 2-pipe/4-pipe fan coil control

Data Sheet



Application

This digital thermostat is designed for application of 3-speed fan and valves in fan coil system.

Including

- 2-pipe cool only/heat only/manual changeover
- 4-pipe manual or automatic changeover
- Ventilation mode
- Manual or automatic 3-speed fan control
- Water valve on/off control

Features

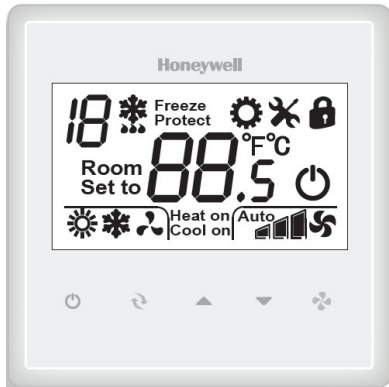
- Super modern appearance design, suitable for office, hotel and residential building
- Slim design, direct installation on 86 size box
- 2-pipe/4-pipe integrated into one unit with easy configuration
- Big LCD display with English and icons
- Easy to install and set-up
- Selectable room temperature or setpoint temperature display
- Manual or automatic fan speed selection
- Cycles per Hour (CPH) function
- Adjustment of display room temperature
- Temperature unit either °C or °F
- User setting can be kept when power off
- Freezing protection function available
- Lock or unlock keys or part of keys in Installer Set-up
- Heat and cool setpoint limitation for energy saving

Model Summary

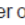
Model	Backlight	2-pipe/4-pipe	Power supply (V)	Ventilation	Manual/Automatic Fan
T6820A2001	Y	2/4	220	Y	Y

T6820A Digital Thermostat




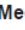
Thermostat Appearance



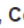
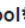
1. Power On/Off

Press  to power on or off thermostat.

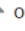

2. Fan Speed

Press  to select fan speed: Low , Medium , High , Auto.

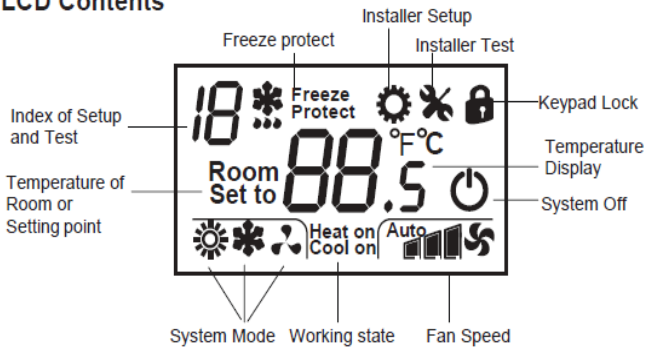
3. System mode

Press  to select the system mode: Heat , Cool , Ventilation .

4. Temperature setting

In heat or cool mode, press  or  to set the target room temperature.

LCD Contents



Terminal Designations

Number	Symbol	Description
1	Cc	Cooling Valve Close
2	Y	Cooling Valve Open
3	L	Line Voltage Power; 220VAC
4	Ch/Cc	Heating/Cooling Valve Close
5	W/Y	Heating/Cooling Valve Open
6	N	Line voltage Neutral
7	Gh	High speed fan relay
8	Gm	Medium speed fan relay
9	Gl	Low speed fan relay

Technical Specification

Power Supply: 220V (+15%,-10%)

Control Algorithm: PI, On/Off Output

Accuracy: $\pm 1^{\circ}\text{C}$ at 21°C

Load Rating: Fan 2A; Valve 1A

Setpoint Range: $10\text{-}32^{\circ}\text{C}$

Installation: $86\text{*}86\text{mm}$ box

Protection Class: IP20

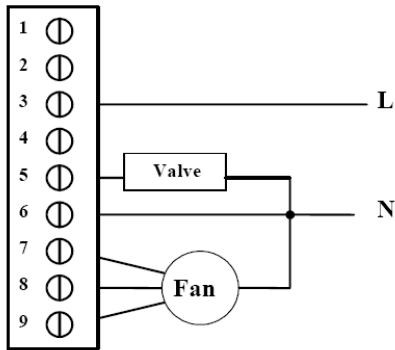
Working ambient temperature: -18°C to 49°C

Shipping temperature: -35°C to 65°C

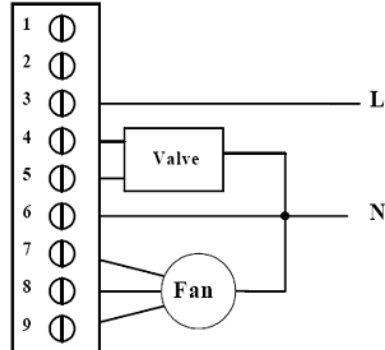
Relative Humidity: 5% RH to 90% RH, non-condensing

Wiring Diagrams

2-Pipe, Heat/Cool only; 2-Pipe Heat/Cool Manual Changeover

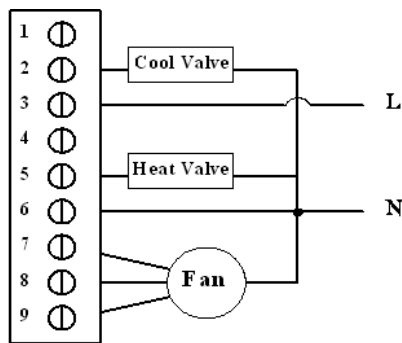


Honeywell VC4013 Series Wiring Diagram

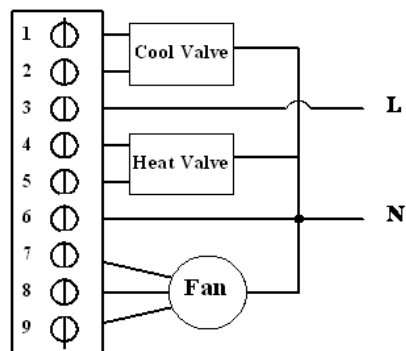


Honeywell VC6013 Series Wiring Diagram

4-Pipe, Heat/Cool Auto Changeover; 4-Pipe Heat/Cool Manual Changeover

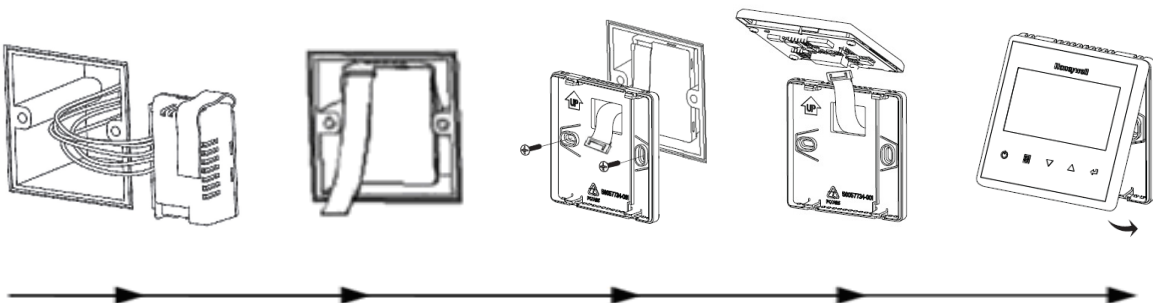


Honeywell VC4013 Series Wiring Diagram



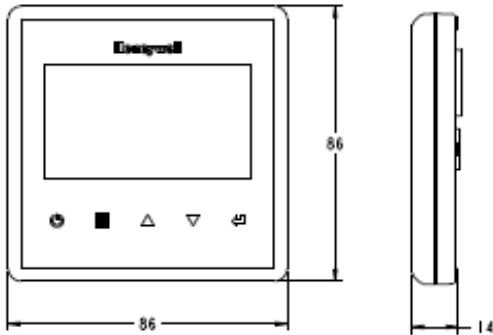
Honeywell VC6013 Series Wiring Diagram

Installation



T6820A Digital Thermostat

Dimensions (mm)



Troubleshooting Tips

If ...	Then ...
Heating system does not turn on.	<ul style="list-style-type: none"> ◆ Set the mode to by pressing ◆ Check if the set point is above the room temperature. ◆ Check if 'Heat on' shows solidly in LCD. ◆ 5 minutes later, checking the states of heating equipments.
Cooling system does not turn on.	<ul style="list-style-type: none"> ◆ Set the mode to by pressing ◆ Check if the set point is below the room temperature ◆ Check if 'Cool on' shows solidly in LCD. ◆ 5 minutes later, checking the states of cooling equipments.
does not work	<ul style="list-style-type: none"> ◆ Check if keypad is locked. ◆ Check if thermostat is in mode.
or does not work	<ul style="list-style-type: none"> ◆ Check if keypad is locked. ◆ Check if system is in ventilation mode. ◆ Check if thermostat is in mode.

Honeywell