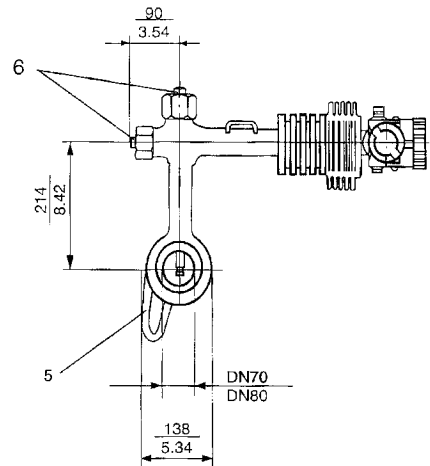
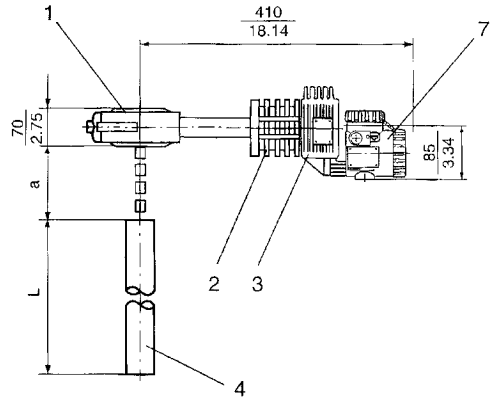
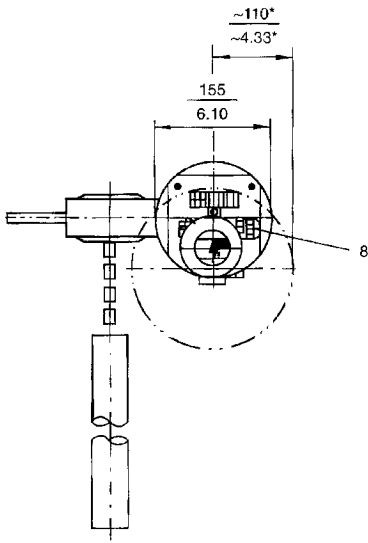
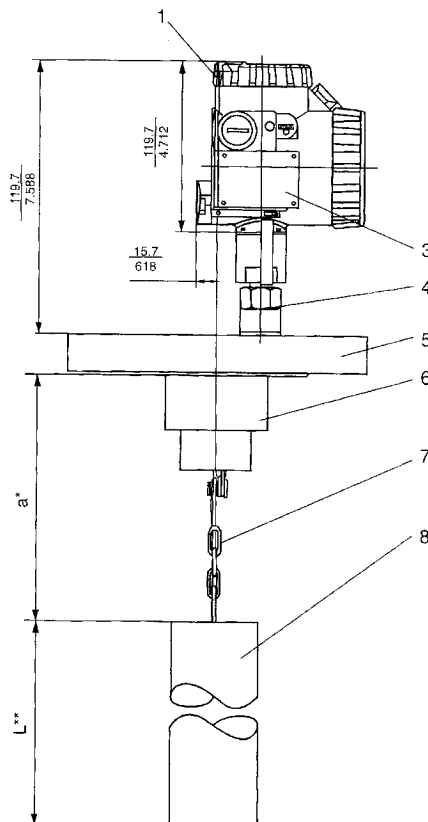
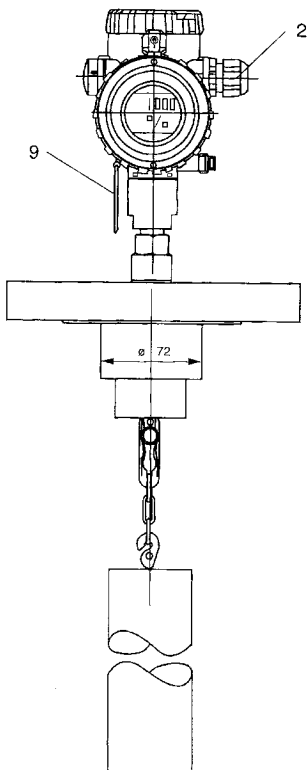


LC3144LD 型 PN40.0/PN50.0MPa


1. 上部构件 Topworks
2. 散热片 Heat sink
3. 测量模块盒 Sensor housing
4. 浮筒 Displacer
5. 吊钩 Mounting bracket
6. 螺钉旋塞 Plug screw
7. 接线盒 Amplifier housing
8. 螺纹密封套 Female thread

LC3144LVD 型 DN80, PN10.0 ~40.0MPa


* 适用于FOX BROECKARDT 的转换装置尺寸
其他长度根据具体要求定
* *L: 浮筒长度、转换装置尺寸
* Suited to the dimensions of
FOXBORO ECKARDT-displacer,
other lengths on request.
**L(measuring range)

1. 顶部壳盖
Connecting compartment cover
2. 用螺丝拧紧的电缆密封入口
Cable entry with screwed gland
3. 放大器壳体 Amplifier housing
4. 传感器从放大器断开或连接微形放大器的安装工具(微形放大器的安装)
Disconnection of sensor from the amplifier or for the connection of the remote amplifier mounting kit (for remote amplifier mounting)
5. 连接法兰 Connection flange
6. 测量部份 Measuring cell
7. 浮子悬链 Suspension
8. 浮筒 Displacer 104DE
9. 钢制标签 Steel label with TAG.No.