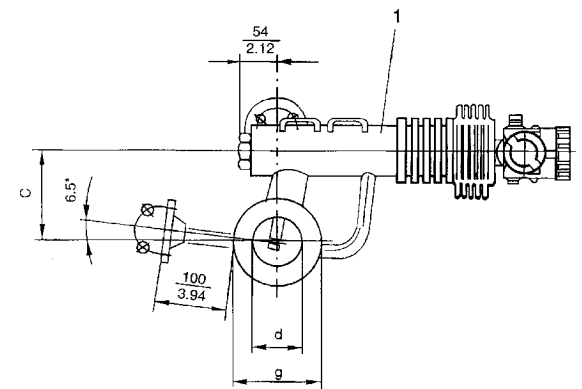
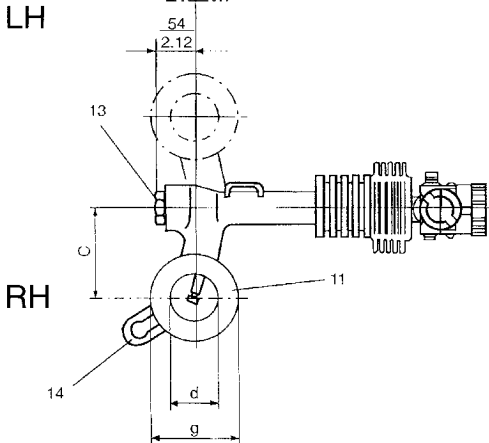
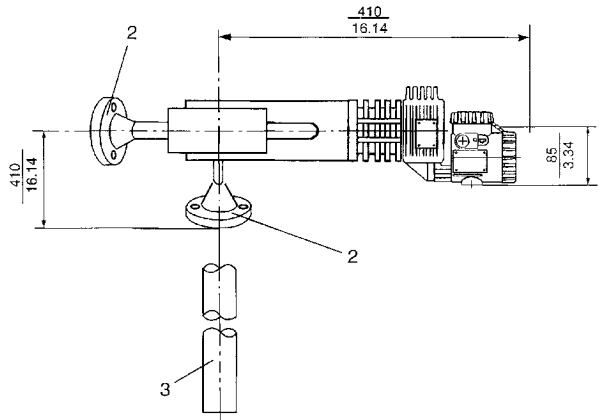
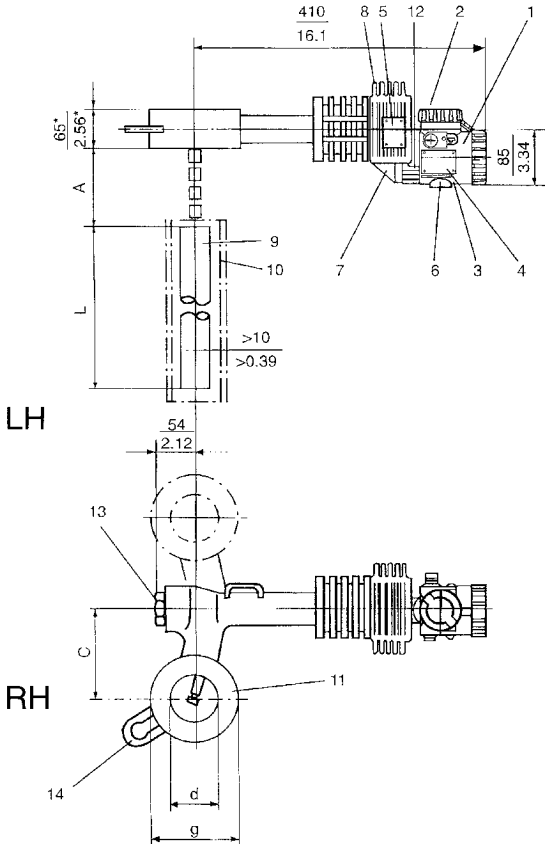
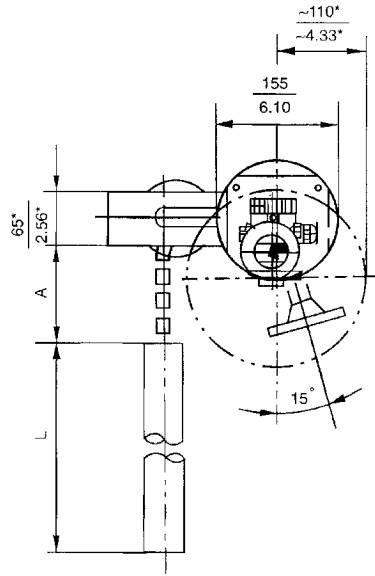
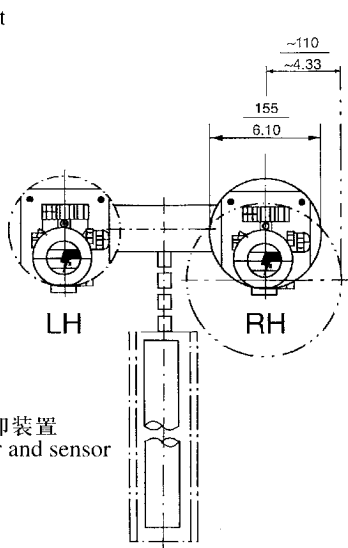


外形尺寸 DIMENSIONS

LC3144LD型(压力最大到25MPa) up to PN25 MPa

LC3144LD型 带加热保温套(压力最大到16MPa)
with heating jacket up to PN16MPa

1. 放大器盒体 Amplifier housing
2. 接线盒 Connection compartment
3. 铭牌 Tag No. label
4. 数据标牌(放大器)
Amplifier nameplate
5. 数据标牌(变送器)
Sensor label
6. 备用接头
Alternate connection
7. 测量模块盒 Sensor housing
8. 散热片 Heat sink
9. 浮筒 Displacer
10. 浮筒保护套筒
Protective tube for displacer
11. 上部构件 Wafer body
12. 放大器同测量模块之间的拆卸装置
Disconnection between amplifier and sensor
13. 螺钉旋塞 Screw plug
14. 吊钩 Lifting hook



RH: 上部构件置于变送器主体位置右侧 “Right hand mounted”
LH: 上部构件置于变送器主体位置左侧 “Left hand mounted”
RH Right Hand=mounting amplifier to wafer body “Right hand mounted”
LH Left Hand=mounting amplifier to wafer body “Left hand mounted”

1.PN2.5Mpa 加热保温套 Heating jacket
2. 加热保温套连接法兰 DN15 PN2.5MPa
Connection flanges for heating jacket
3.L= 浮筒长度 L = Length of displacer