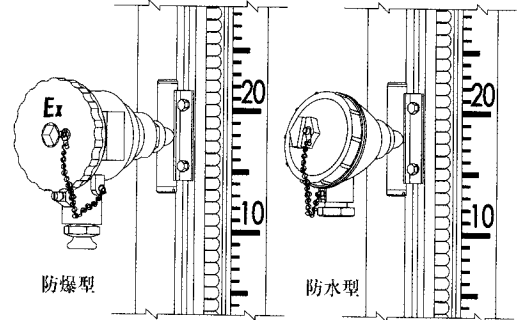


UHZ-517 磁翻柱液位计配套液位开关
LEVEL SWITCH MATCHED WITH UHZ-517 MAGNETIC LIQUID LEVEL GAUGE

干簧开关型液位开关 DRY REED SWITCH

该类型液位开关采用进口优质干簧开关，安装在液位计磁翻柱面板上，处于和液位计同一磁耦合系统中，与工艺介质不直接接触，且具有防爆和防震保护性能。

Import high-grade dry reed switch is used in this level switch. And the switch is fixed on indicator of liquid level gauge, so they are in same magnetic coupling system. It doesn't contact process medium. Besides, it is explosion-proof and shockproof.



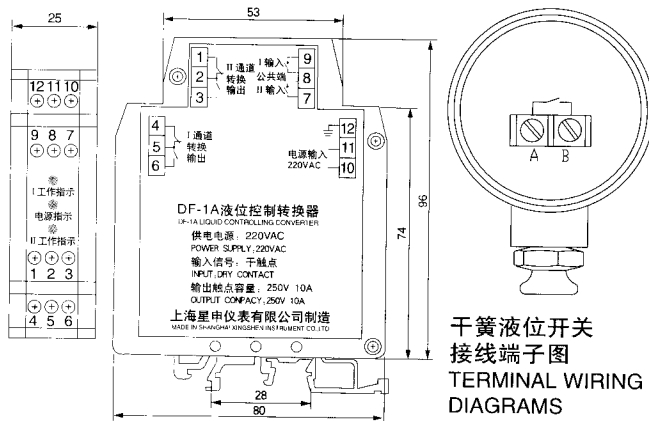
型号规格 MODEL AND SPEC

选型代号 code	名称 name	型号 model	开关类型及功能 switch type and function	应用 application
M	点动式液位开关 point level switch	CK-1	当液位到达高(低)液位控制点时，开关闭合(无记忆功能)。When liquid level reaches high(low) level control point, switch close(without memorial function)	只适用于自保型电器自动控制回路中。Just only for self-holding electric circuit.
N	防爆型点动式液位开关 explosion-proof point switch	CK-1/Ex		
S	区域型液位开关 section switch	AK-1	一定数量的干簧开关并联，液位在高(低)液位报警区域内，开关始终闭合，反之断开。ome dry reed switches connect in parallel. In ange of high(low) alarm region, switch is lways close, contrarily it is open.	用于液位报警系统。(请用户注明区域范围) for liquid level alarm system.(the range need noted.)
T	区域型防爆液位开关 explosion-proof section switch	AK-1/Ex		

注意：干簧开关型液位开关可直接接入仪表报警回路系统，如PLC系统、DCS系统。如果拖动负载为交流接触器等感性负载时，必须通过DF-1A转换器。如果在本安型系统时，必须采用8012-Ex隔离安全栅。

Note: the switch can be connected directly with instrument alarm system such as PLC and DCS. If load is inductive as AC contactor, DF-1 converter must be used. While for intrinsically safe system, 8012-Ex isolating barrier must be used.

DF-1A 转换器接线端子图
CONVERTING TERMINAL WIRING DIAGRAMS



干簧液位开关
接线端子图
TERMINAL WIRING
DIAGRAMS

(1) (2) (3)	II 通道继电器触点输出	(4) (5) (6)	I 通道继电器触点输出
(7) (8)	II 通道液位开关输入	(8) (9)	I 通道液位开关输入
(10) (11)	电源: 220V AC	(12)	接地(可不接)

主要技术参数
MAIN TECHMICAL PARAMETER

工作温度 operating temperature: -40~130℃

采用特殊安装及隔热附件后，工艺温度可达300℃。
With special installation and insulator, the process temperature can be up to 300℃.

触点容量 contact capacity:

250VAC, 0.5A (阻性负载resistive load)

开关寿命 switch life: 10⁵次

防护等级 enclosure classification: IP65

防爆标志 explosion proof classification:

本安型 intrinsically safe type: Exib II CT4,
隔爆型 explosion proof type: Exd II BT4

电气接口 electric joint:

防水型 water-proof:

M15 × 1.5 内螺纹inner thread

防爆型 explosion-proof:

M20 × 1.5 内螺纹inner thread

