



# UHZ-517C17 耐腐型磁翻柱液位计

## UHZ-517C17 CORROSION-PROOF MAGNETIC LIQUID LEVEL GAUGE

### 适用范围 SUITABLE RANGE

UHZ-517C17型耐腐型磁翻柱液位计采用通用UPVC管件组合,是一种经济型产品,由于UPVC的耐腐蚀性,可适用由工作温度不高的一般酸性、碱性溶液,但不能用于芳香剂、碳化氢、酮、酯类等液体。缺点:安装在室外易老化。

UHZ-517C17 corrosion-proof magnetic liquid level gauge is assembled with universal UPVC pipe and fitting, so it is an economical product. At same time, because of corrosion-proof ability of UPVC, it is suitable for general acidic and alkaline solutions, but it cannot be used for pastille, hydrocarbon, ketone and ester etc.. On the other hand it has disadvantage of aging when installed outdoors.

### 技术参数 SPECIFICATION

测量范围 measuring range:

两个法兰中心之间的距离 center-center distance

最小 min. 150mm 至最大 max. 8000mm

工作压力 operating pressure: 1.0MPa;

工作温度 operating temperature: -20~60℃

介质密度 medium density: 0.5~2.0g/cm<sup>3</sup>

过程连接 process connecting:

旁路侧面安装法兰 side mounting convex flange:

DN25, PN1.0 凸面

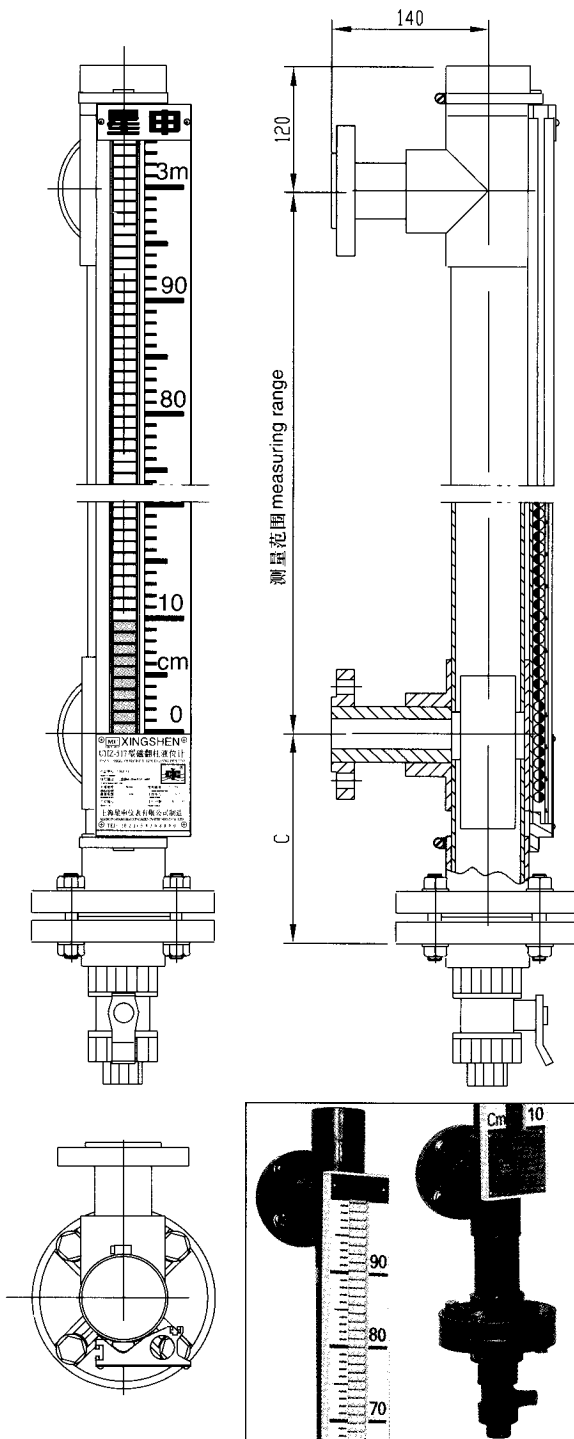
法兰标准 flange standard: HG20592~20635-97 其它

法兰标准请用户注明 Other standard on request.

材质 material: 旁路管 bypass tube: UPVC

浮子 float: UPVC、PP

可选项 optional item:



UHZ-517C17	
<input type="checkbox"/> L	排污阀 with drain valve
<input type="checkbox"/>	液位开关 with level switch, G、M、N、S、T 任选 option
<input type="checkbox"/> R	4~20mA 二线制变送器 with two-wire transmitter
<input type="checkbox"/> D	隔爆型 explosion proof type: dIIBT4
<input type="checkbox"/> E	本安型 intrinsically safe type: ibIICT4
<input type="checkbox"/> F	配隔离安全栅 matched with isolating barrier
<input type="checkbox"/> A	XGTH-510(竖式)显示调节报警仪 with display and regulating instrument(upright)
<input type="checkbox"/> B	XGTA-810(横式)显示调节报警仪 with display and regulating instrument(horizontal)
<input type="checkbox"/>	测量范围 measruing range(mm)
<input type="checkbox"/>	介质密度 specific gravity of medium(g/cm <sup>3</sup> )
<input type="checkbox"/>	工作压力 operating pressure (MPa)