

UHZ-517C15A 无盲区耐腐型磁翻柱液位计

UHZ-517C15A NO BLIND AREA AND CORROSION-PROOF MAGNETIC LIQUID LEVEL GAUGE

适用范围 SUITABLE RANGE

UHZ-517C15A无盲区耐腐型磁翻柱液位计适用于腐蚀性介质且工作温度又较高场合的液位测量，由于采用先进的不锈钢内衬聚四氟乙烯拉伸翻边新工艺，使液位计测量无盲区，结构可靠，使用寿命长。

UHZ-517C15A no blind area and corrosion-proof magnetic liquid level gauge is suitable for corrosive medium even at higher operating temperature. Reliable in structure, long in operating life, and no blind area exists in measurement as a result of the new technics that PTFE lining is stretched across caliber of guide tube.

技术参数 SPECIFICATION

测量范围 measuring range:

两个法兰中心之间的距离 center-center distance

最小min. 150mm至最大max. 8000mm

工作压力 operating pressure: 2.5MPa

工作温度 operating temperature: -30~200℃

介质密度 medium density: 0.5~2.0g/cm³

过程连接 process connecting:

旁路侧面安装法兰 side mounting convex flange:

DN25, PN1.0或PN1.6、PN2.5凸面,

法兰标准 flange standard: HG20592~20635-97其它

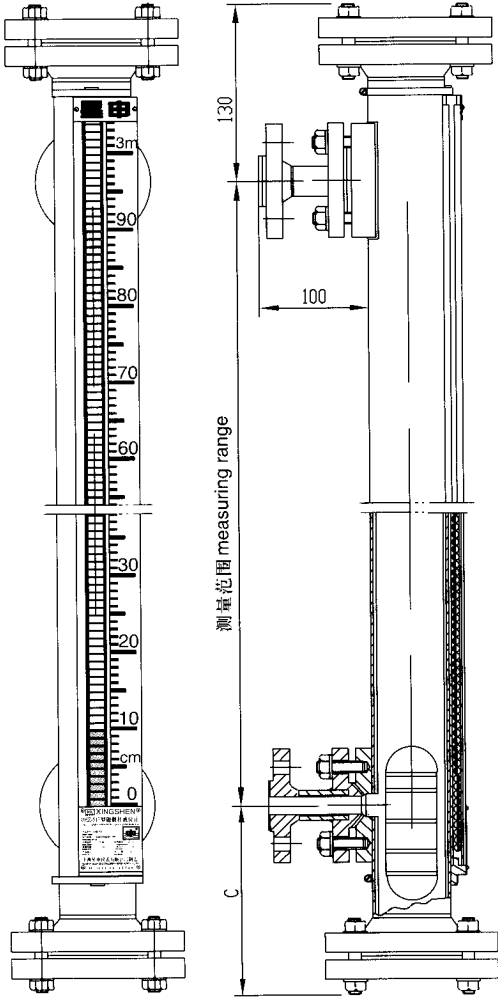
法兰标准请用用户注明 Other standard on request.

材质 material:

旁路管 bypass tube: 1Cr18Ni9Ti内衬PTFE

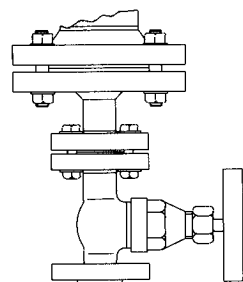
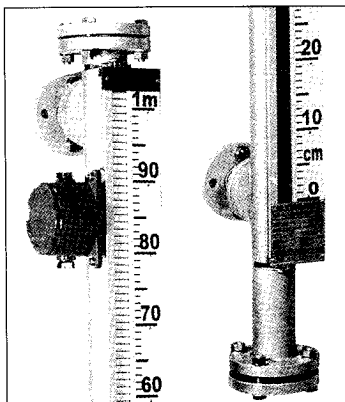
浮子 float: PTFE

可选项 optional item:



测量范围 measuring range

C



衬聚四氟乙烯排污阀
安装示意图
PTFE with drain valve
Installation illustration

UHZ-517C15A	
<input type="checkbox"/> L	排污阀 with drain valve
<input type="checkbox"/>	液位开关 with level switch, G、M、N、S、T 任选项
<input type="checkbox"/> R	4~20mA二线制变送器 with two-wire transmitter
<input type="checkbox"/> D	隔爆型 explosion proof type: dIBT4
<input type="checkbox"/> E	本安型 intrinsically safe type: ibIICt4
<input type="checkbox"/> F	配隔离安全栅 matched with isolating barrier
<input type="checkbox"/> A	XGTH-510(立式)显示调节报警仪 with display and regulating instrument(upright)
<input type="checkbox"/> B	XGTA-810(横式)显示调节报警仪 with display and regulating instrument(horizontal)
<input type="checkbox"/> J1	蒸汽加热夹套 with steam heating jacket
<input type="checkbox"/> J2	循环水加热夹套 with cycling water heating jacket
<input type="checkbox"/> J3	真空夹套 with vacuum jacket
<input type="checkbox"/> J4	电伴热装置 electrical heating equipment
<input type="checkbox"/>	测量范围 measuring range(mm)
<input type="checkbox"/>	介质密度 specific gravity of medium(g/cm ³)
<input type="checkbox"/>	工作压力 operating pressure (MPa)

