

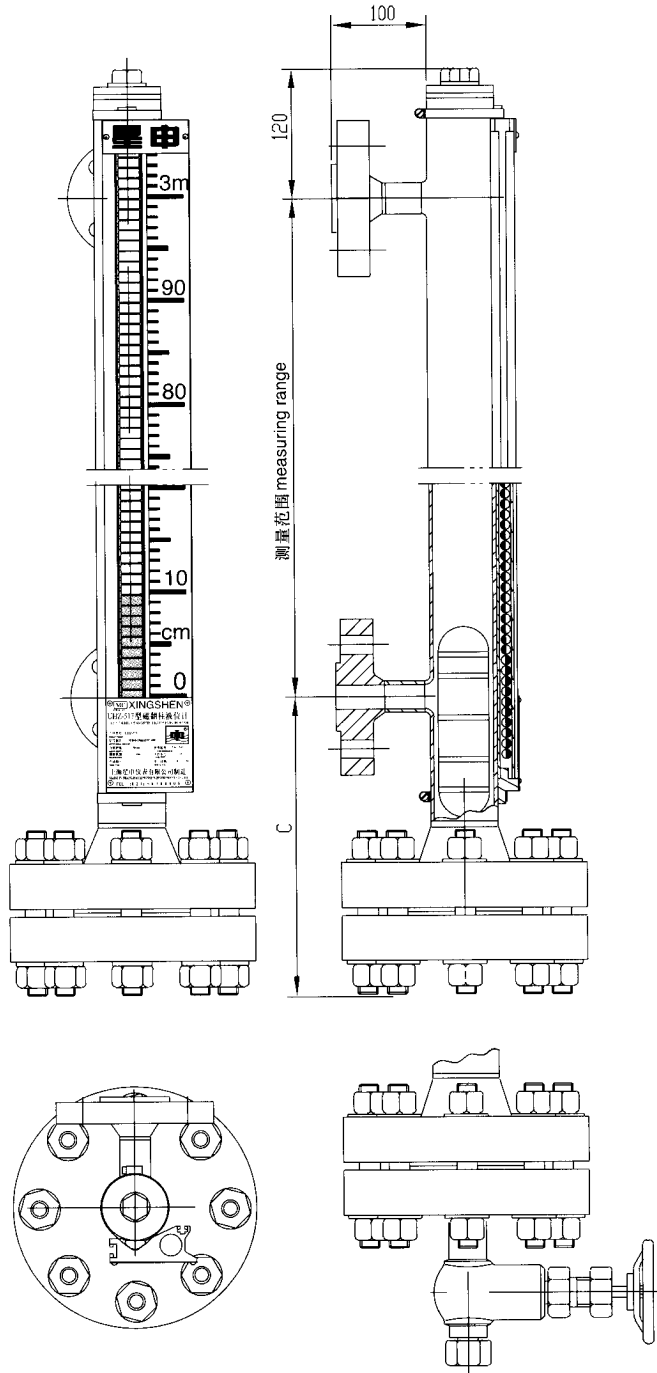
# UHZ-517C12D 型磁翻柱液位计

## UHZ-517C12D MAGNETIC LIQUID LEVEL GAUGE

### 适用范围 SUITABLE RANGE

UHZ-517C12D型磁翻柱液位计适用于高温高压场合的液位测量，最高工作温度为520℃，最大工作压力为16.0MPa。

UHZ-517C12D magnetic reversing column liquid level gauge is suitable for liquid level measurement in high temperature and high pressure situation. Its highest operating temperature is 520℃, and its maximum operating pressure is 16.0 MPa.



### 技术参数 SPECIFICATION

测量范围 measuring range:

两个法兰中心之间的距离 center-center distance  
最小 min. 150mm 至最大 max. 8000mm

工作压力 operating pressure: 16.0MPa

工作温度 operating temperature: ≤520℃

介质密度 medium density: 0.45~2.0g/cm<sup>3</sup>

过程连接 process connecting:

旁路侧面安装法兰 side mounting convex flange:  
DN25, PN16.0凸面,

法兰标准 flange standard: HG20592~20635-97 其它  
法兰标准请用用户注明 Other standard on request.

材质 material:

旁路管 bypass tube: 00Cr17Ni14M2(316L、304)

浮子 float: 钛 titanium

翻柱 reversing column: 陶瓷 ceramic

可选项 optional item:

UHZ-517C12D	
L	排污阀 with drain valve
<input type="checkbox"/>	液位开关 with level switch, G、M、N、S、T 任选 option
R	4~20mA 二线制变送器 with two-wire transmitter
D	隔爆型 explosion proof type: dIIBT4
E	本安型 intrinsically safe type: ibIICT4
F	配隔离安全栅 matched with isolating barrier
A	XGTH-510(竖式)显示调节报警仪 with display and regulating instrument(upright)
B	XGTA-810(横式)显示调节报警仪 with display and regulating instrument(horizontal)
J3	真空夹套 with vacuum jacket
<input type="checkbox"/>	测量范围 measruing range(mm)
<input type="checkbox"/>	介质密度 specific gravity of medium(g/cm <sup>3</sup> )
<input type="checkbox"/>	工作压力 operating pressure (MPa)

