



沪制02240183

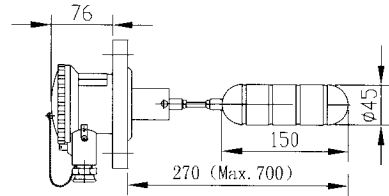


## 型号规格和外形尺寸 MODEL, SPEC AND OUTLINE DIMENSION

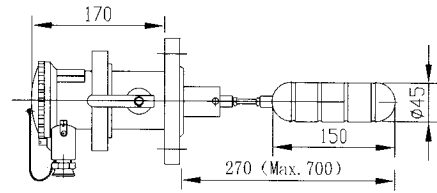
## UQK-10型、UQKS-10型

安装形式installation mode: 侧装式side-mounting  
 控制范围controlling range: 10mm, 不可调not adjustable  
 工作温度operating temperature:  $-40\sim 150\text{ }^{\circ}\text{C}$   
 工作压力operating pressure: 1.0, 4.0, 6.3MPa  
 介质密度medium specific gravity:  $\geq 0.40\text{g/cm}^3$   
 触点容量contact capacity: AC250, 7A  
 接液材质contacting material: 不锈钢stainless steel  
 过程连接process connection:  
 DN50或DN80 PN1.0/4.0

## UQK-10 (标准) 型 standard type



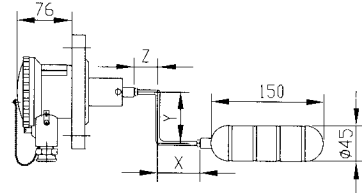
## UQKS-10 (带自检) 型 with self-checking



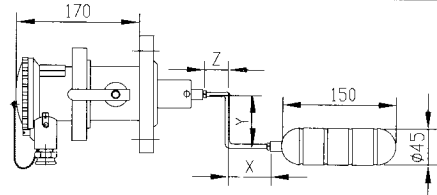
## UQK-10N型、UQKS-10N型

安装形式installation mode: 侧装式side-mounting  
 控制范围controlling range: 60mm, 不可调not adjustable  
 工作温度operating temperature:  $-40\sim 150\text{ }^{\circ}\text{C}$   
 工作压力operating pressure: 1.0, 4.0, 6.3MPa  
 介质密度medium specific gravity:  $\geq 0.40\text{g/cm}^3$   
 触点容量contact capacity: AC250, 7A  
 接液材质contacting material: 不锈钢stainless steel  
 过程连接process connection:  
 DN50或DN80 PN1.0/4.0

## UQK-10N (标准) 型 standard type



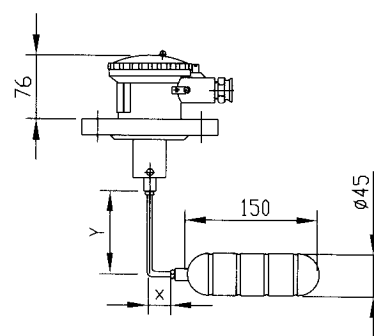
## UQKS-10N (带自检) 型 with self-checking



## UQK-10T型

安装形式installation mode: 顶装式top-mounting  
 控制范围controlling range: 40mm, 可调adjustable  
 工作温度operating temperature:  $-40\sim 150\text{ }^{\circ}\text{C}$   
 工作压力operating pressure: 1.0, 4.0, 6.3MPa  
 介质密度medium specific gravity:  $\geq 0.40\text{g/cm}^3$   
 触点容量contact capacity: AC250, 7A  
 接液材质contacting material: 不锈钢stainless steel  
 过程连接process connection:  
 DN50或DN80 PN1.0/4.0

## UQK-10T (标准) 型 standard type



## UQKS-10T型

安装形式installation mode: 顶装式top-mounting  
 控制范围controlling range: 40mm, 可调adjustable  
 工作温度operating temperature:  $-40\sim 150\text{ }^{\circ}\text{C}$   
 工作压力operating pressure: 1.0, 4.0, 6.3MPa  
 介质密度medium specific gravity:  $\geq 0.40\text{g/cm}^3$   
 触点容量contact capacity: AC250, 7A  
 接液材质contacting material: 不锈钢stainless steel  
 过程连接process connection:  
 DN50或DN80 PN1.0/4.0

## UQKS-10T (带自检) 型 with self-checking

