

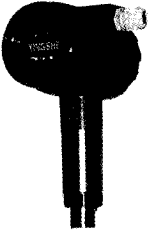
UDE-507 系列射频导纳物位开关

UDE - 507 SERIES RADIO FREQUENCY (RF) ADMITTANCE LEVEL SWITCH

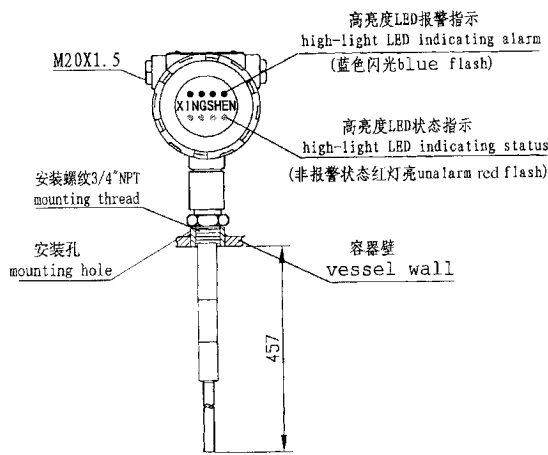
概述 INTRODUCTION

UDE-507系列射频导纳物位开关是我公司自行开发制造的一种新颖的物位测量仪表, 它采用先进的射频导纳技术, 克服了电容式物位计不能消除导电挂料影响的缺陷, 仪表各项技术指标均达到DE公司同类产品水平, 且增加了现场工作状态指示功能。是一种性价比极高的高精度物位开关。

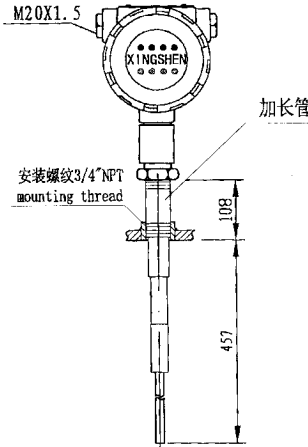
UDE-507 series RF admittance level switch is a new level instrument exploited and manufactured by XINGSHEN. With advanced RF admittance technology, it has conquered the defect that capacitive transmitter cannot eliminate influence of conductive medium building up. Its technical specifications are in same level with similar product of DE corporation. In addition, local operating status is indicated. It is really a precise level switch with high performance/cost ratio.



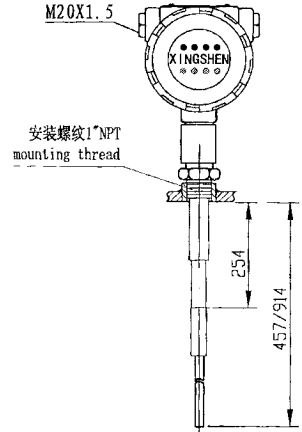
外形尺寸 DIMENSIONS



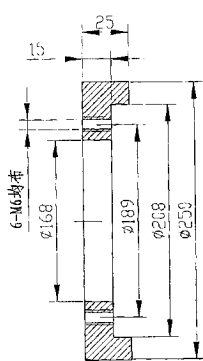
507-300-902标准型
standard type



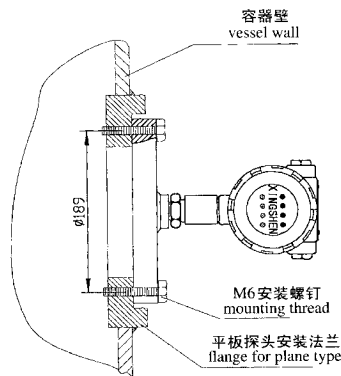
507-300-907 高温型
high temperature type



507-300-922抗重挂料型
heavy buildup proof type

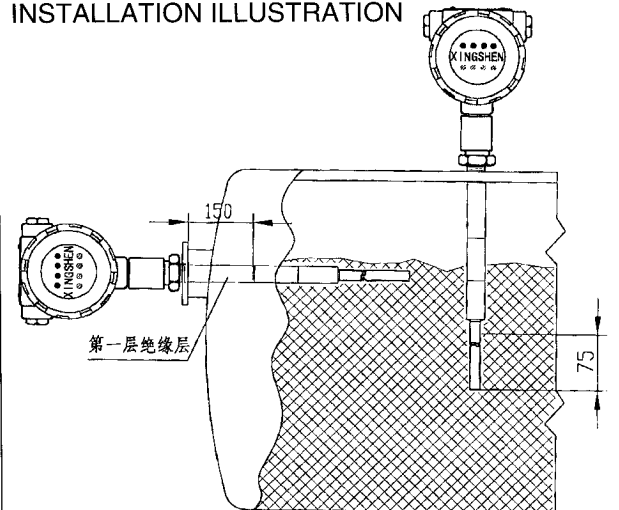


平板探头安装法兰尺寸
flange for plane type



507-300-920平板型
plane type

安装示意图 INSTALLATION ILLUSTRATION



注: 容器的壁厚或安装孔的深度不能超过开关电极的第一层绝缘层

接线端子图 TERMINALS WIRING DIAGRAMS

