



沪制02240183



# UBW UBWS系列 (双色) 无盲区玻璃板液位计

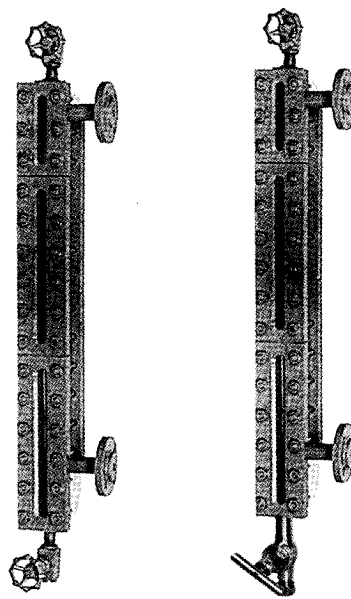
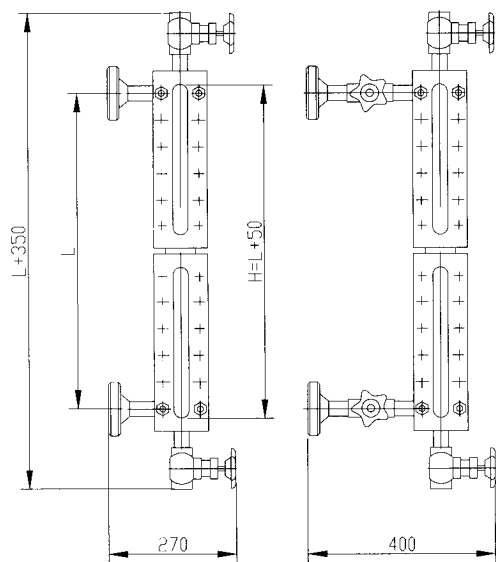
## UBW AND UBWS SERIES (DOUBLE COLOR) NO BLIND AREA GLASS PLATE LIQUID LEVEL GAUGE

### 概述 INTRODUCTION

UBW系列无盲区玻璃板液位计的特点是指示无盲区, 仪表完善了主体通道结构, 介质流动通畅, 增强了仪表的防粘稠、防堵塞能力。仪表广泛用于石油、化工、电力、冶金等领域, 特别适用于重油、渣油和纯氨大贮罐的液位指示。

UBW series no blind area glass plate liquid level gauges indicate level without blind area. Complete in main channel structure to flow expeditely, which enhances the denseness-proof and block-proof ability of gauges. The instruments are applied widely in the field of petroleum, chemical engineering, electric power and metallurgy etc. to indicate the liquid level of heavy oil, resid oil and pure ammonia in big tanks especially.

### 外形尺寸 DIMENSION



### 主要技术参数

#### MAIN TECHNICAL PARAMETERS

测量范围 measuring range:

300, 500, 800, 1100, 1400, 1700, .....6000mm

工作压力 operating pressure: 2.5, 4.0, 6.3 MPa

工作温度 operating temperature: -40~250 °C

钢球自动封闭压力 steel ball automatically sealing pressure: > 0.2 MPa

蒸汽伴热压力 heating jacket pressure: ≤0.6 MPa

蒸汽夹套接头 heating jacket coupling: G1/2" 外螺纹

连接法兰标准 connecting flange standard:

JB/T82.2-94 DN20 PN2.5、4.0、6.3凸面,

其它法兰标准如HGJ、GB、ANSI等请用户注明。

Convex flange, other need noted

材质 material: 碳钢carbon steel, 不锈钢stainless steel

### 型号规格 MODEL AND SPEC

UBW	无盲区玻璃板液位计 no blind area glass plate liquid level gauge					
UBWS	双色无盲区玻璃板液位计 double color no blind area glass plate liquid level gauge					
	-	A 法兰 flange			连接方式 connecting mode	
		阀门法兰 valves flange				
		1	碳钢 carbon steel		材质 material	
		2	不锈钢 stainless steel			
		/E 伴热 heating jacket			附加装置 accessories	
		-□□□□ 测量范围, 单位 mm				
		-	2.5	工作压力 2.5MPa		工作压力 operating pressure
			4.0	工作压力 4.0MPa		
			6.3	工作压力 6.3MPa		