

Space for you!



The empty enclosures from Spelsberg offer a wide variety of housing sizes and materials. However, should you not find exactly what you are looking for among the many variations of standard products, we would be pleased to design a product with you that is tailored precisely to your needs. Take advantage of the space available for this customisation.

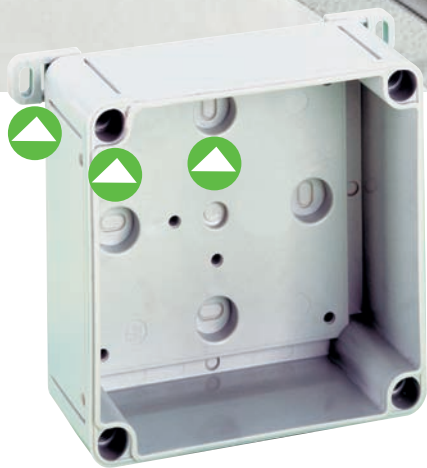
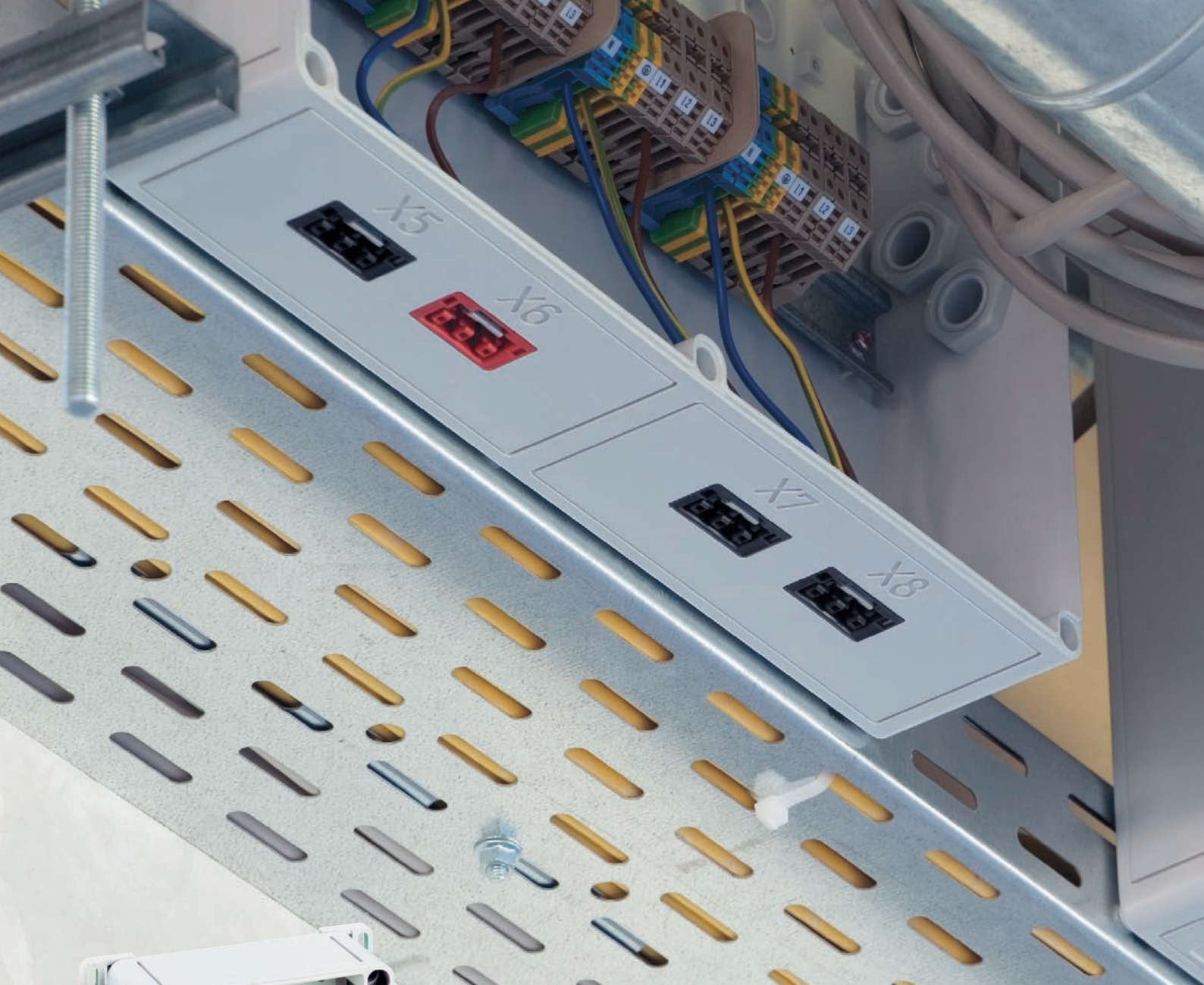
	Protection rating	Size	Types	Page
	IP66	65 x 65 mm to 360 x 254 mm	Empty enclosures made from polystyrene TK PS	286-319
	IP66	50 x 52 mm to 360 x 254 mm	Empty enclosures made from polycarbonate TK PC	286-319
	IP66 / IP67	84 x 82 mm to 302 x 232 mm	Empty enclosures made from ABS TG ABS	326-359
	IP66 / IP67	84 x 82 mm to 302 x 232 mm	Empty enclosures made from polycarbonate TG PC	326-359
	IP65	150 x 300 mm to 300 x 600 mm	Combinable empty enclosures made from polystyrene AKL	362-371
	IP65	150 x 300 mm to 300 x 600 mm	Combinable empty enclosures made from polycarbonate AKi-L	362-371
	IP66	50 x 45 mm to 330 x 230 mm	Aluminium empty enclosures AL	376-381
	Accessories for TK			320-325
	Accessories for TG			360-361
	Accessories for AKL/AKi-L			372-375
	Accessories for AL			382
	General accessories for empty enclosures			383

Empty enclosures



IQ - Industrial Quality

All -i products for use in an industrial environment are indicated by the grey background.



- 13 basic enclosures with up to three different cover heights
- Grey or transparent covers
- Plastic: choice of polystyrene (TK PS) or glass-fibre-reinforced polycarbonate (TK PC)
- Side walls smooth or with metric knockouts
- Modular tools: Economical customisation

▲ Individual choice of attachments

Empty enclosures **TK PS** / TK PC.

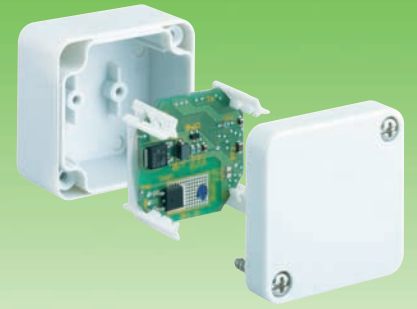




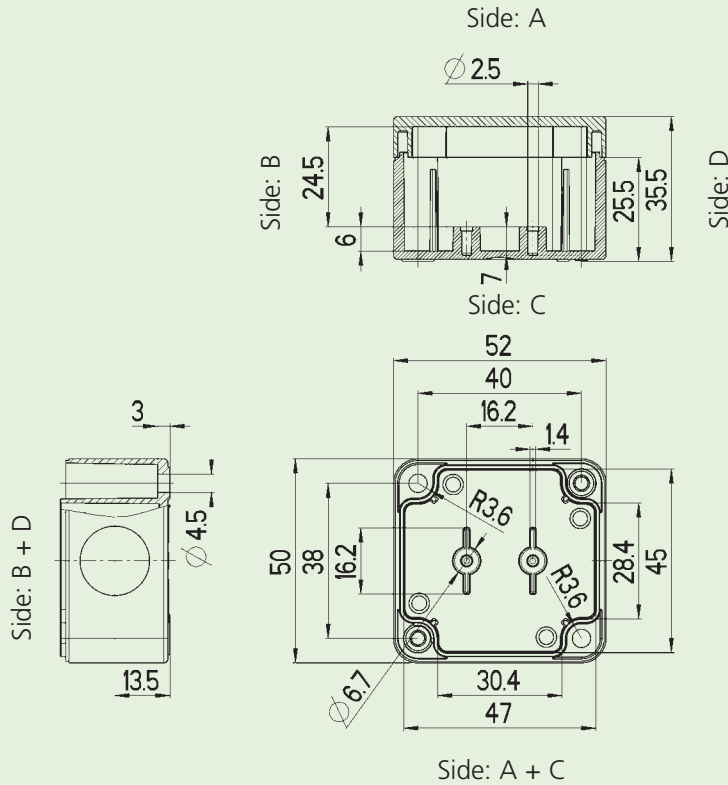
120 455 01



129 455 01

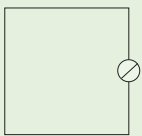


Sample application



All dimensions in mm

Enclosures with knockouts



Metric types

⊘ = M 12/16

Scale drawings available at:
www.spelsberg.com



Enclosures without knockouts

Maximum possible through openings per box side

M	A/C	B/D
12	1	1
16	1	1
20	-	-
25	-	-
32	-	-
40	-	-
50	-	-

Example of TK designation scheme

Material:
PS = Polystyrene
PC = Polycarbonate

approx. height in cm

Cover material:
t = transparent
n/a = grey

PS 1309-8-tm

approx. length x width in cm

m = metric knockouts
o = without knockouts
v = with moulded cable gland

TK PC 55
52 x 50 mm



Description	Order No.	Packing Qty
Empty enclosure - Industrial Quality -, base and cover: glass fibre reinforced polycarbonate, grey, similar to RAL 7035		
	height/mm	
TK PC 55-4-m	35	127 455 01 60/5
TK PC 55-4-o	35	120 455 01 60/5

TK PC 55
52 x 50 mm



Description	Order No.	Packing Qty
Empty enclosure - Industrial Quality -, base and cover: glass fibre reinforced polycarbonate, grey, similar to RAL 7035		
	height/mm	Sealing area/mm
TK PC 55-4-v	35	5 - 10
		129 455 01 60/5

TK PC 55
52 x 50 mm



Description	Order No.	Packing Qty
Empty enclosure - Industrial Quality -, base: glass fibre reinforced polycarbonate, grey, similar to RAL 7035, cover: polycarbonate, transparent		
	height/mm	
TK PC 55-4-tm	35	137 455 01 60/5
TK PC 55-4-to	35	130 455 01 60/5

TK PC 55
52 x 50 mm



Description	Order No.	Packing Qty
Empty enclosure - Industrial Quality -, base: glass fibre reinforced polycarbonate, grey, similar to RAL 7035, cover: polycarbonate, transparent		
	height/mm	Sealing area/mm
TK PC 55-4-tv	35	5 - 10
		139 455 01 60/5

Empty enclosures



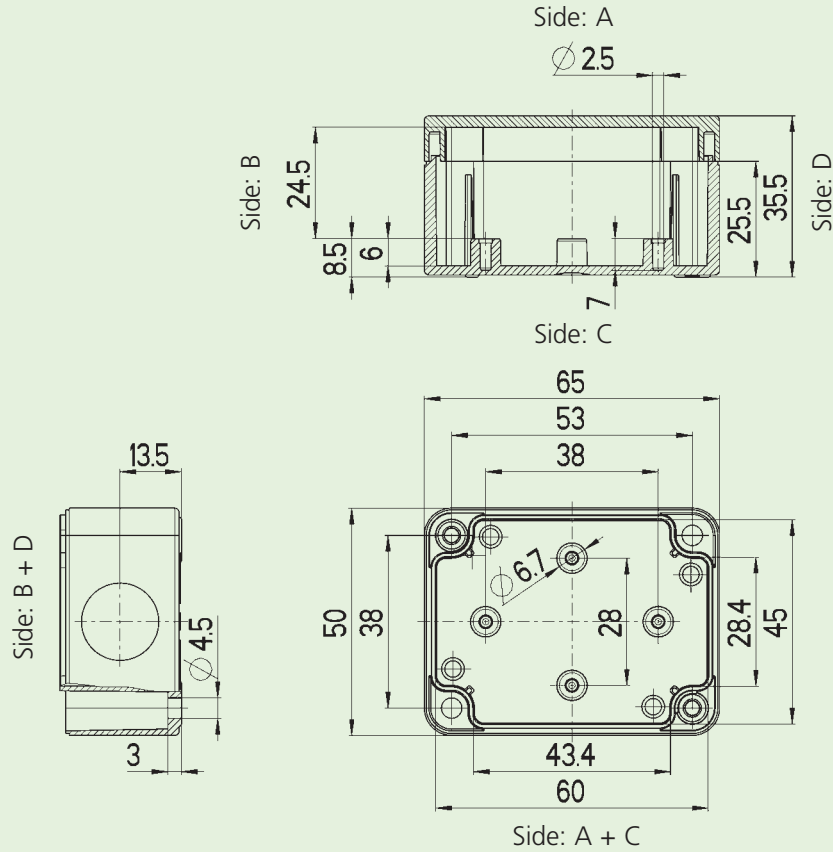
120 475 01



129 475 01

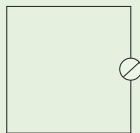


Sample application



All dimensions in mm

Enclosures with knockouts



Metric types
 $\varnothing = M 12/16$

Scale drawings available at:
www.spelsberg.com



Enclosures without knockouts

Maximum possible through openings per box side

M	A/C	B/D
12	2	1
16	1	1
20	-	-
25	-	-
32	-	-
40	-	-
50	-	-

Example of TK designation scheme

Material:
PS = Polystyrene
PC = Polycarbonate

approx. height in cm

Cover material:
t = transparent
n/a = grey

PS 1309-8-tm

approx. length x width in cm

m = metric knockouts
o = without knockouts
v = with moulded cable gland

TK PC 75
65 x 50 mm



Description	Order No.	Packing Qty
Empty enclosure - Industrial Quality -, base and cover: glass fibre reinforced polycarbonate, grey, similar to RAL 7035		
<div style="display: flex; justify-content: space-around; align-items: center;"> <div style="border: 1px solid black; padding: 2px;">IP66</div> <div style="border: 1px solid black; padding: 2px;">IK 08</div> <div style="border: 1px solid black; padding: 2px;"></div> <div style="border: 1px solid black; padding: 2px;">690V AC</div> <div style="border: 1px solid black; padding: 2px;">1000V DC</div> <div style="border: 1px solid black; padding: 2px;"></div> <div style="border: 1px solid black; padding: 2px;"></div> <div style="border: 1px solid black; padding: 2px;"></div> </div>		
	height/mm	
TK PC 75-4-m	35	127 475 01
TK PC 75-4-o	35	120 475 01
		45/5 50/1

TK PC 75
65 x 50 mm



Description	Order No.	Packing Qty
Empty enclosure - Industrial Quality -, base and cover: glass fibre reinforced polycarbonate, grey, similar to RAL 7035		
<div style="display: flex; justify-content: space-around; align-items: center;"> <div style="border: 1px solid black; padding: 2px;">IP66</div> <div style="border: 1px solid black; padding: 2px;">IK 08</div> <div style="border: 1px solid black; padding: 2px;"></div> <div style="border: 1px solid black; padding: 2px;">690V AC</div> <div style="border: 1px solid black; padding: 2px;">1000V DC</div> <div style="border: 1px solid black; padding: 2px;"></div> <div style="border: 1px solid black; padding: 2px;"></div> </div>		
	height/mm	Sealing area/mm
TK PC 75-4-v	35	5 - 10
		129 475 01
		45/5

TK PC 75
65 x 50 mm



Description	Order No.	Packing Qty
Empty enclosure - Industrial Quality -, base: glass fibre reinforced polycarbonate, grey, similar to RAL 7035, cover: polycarbonate, transparent		
<div style="display: flex; justify-content: space-around; align-items: center;"> <div style="border: 1px solid black; padding: 2px;">IP66</div> <div style="border: 1px solid black; padding: 2px;">IK 08</div> <div style="border: 1px solid black; padding: 2px;"></div> <div style="border: 1px solid black; padding: 2px;">690V AC</div> <div style="border: 1px solid black; padding: 2px;">1000V DC</div> <div style="border: 1px solid black; padding: 2px;"></div> <div style="border: 1px solid black; padding: 2px;"></div> <div style="border: 1px solid black; padding: 2px;"></div> </div>		
	height/mm	
TK PC 75-4-tm	35	137 475 01
TK PC 75-4-to	35	130 475 01
		45/5 50/1

TK PC 75
65 x 50 mm



Description	Order No.	Packing Qty
Empty enclosure - Industrial Quality -, base: glass fibre reinforced polycarbonate, grey, similar to RAL 7035, cover: polycarbonate, transparent		
<div style="display: flex; justify-content: space-around; align-items: center;"> <div style="border: 1px solid black; padding: 2px;">IP66</div> <div style="border: 1px solid black; padding: 2px;">IK 08</div> <div style="border: 1px solid black; padding: 2px;"></div> <div style="border: 1px solid black; padding: 2px;">690V AC</div> <div style="border: 1px solid black; padding: 2px;">1000V DC</div> <div style="border: 1px solid black; padding: 2px;"></div> <div style="border: 1px solid black; padding: 2px;"></div> </div>		
	height/mm	Sealing area/mm
TK PC 75-4-tv	35	5 - 10
		139 475 01
		45/5

Empty enclosures



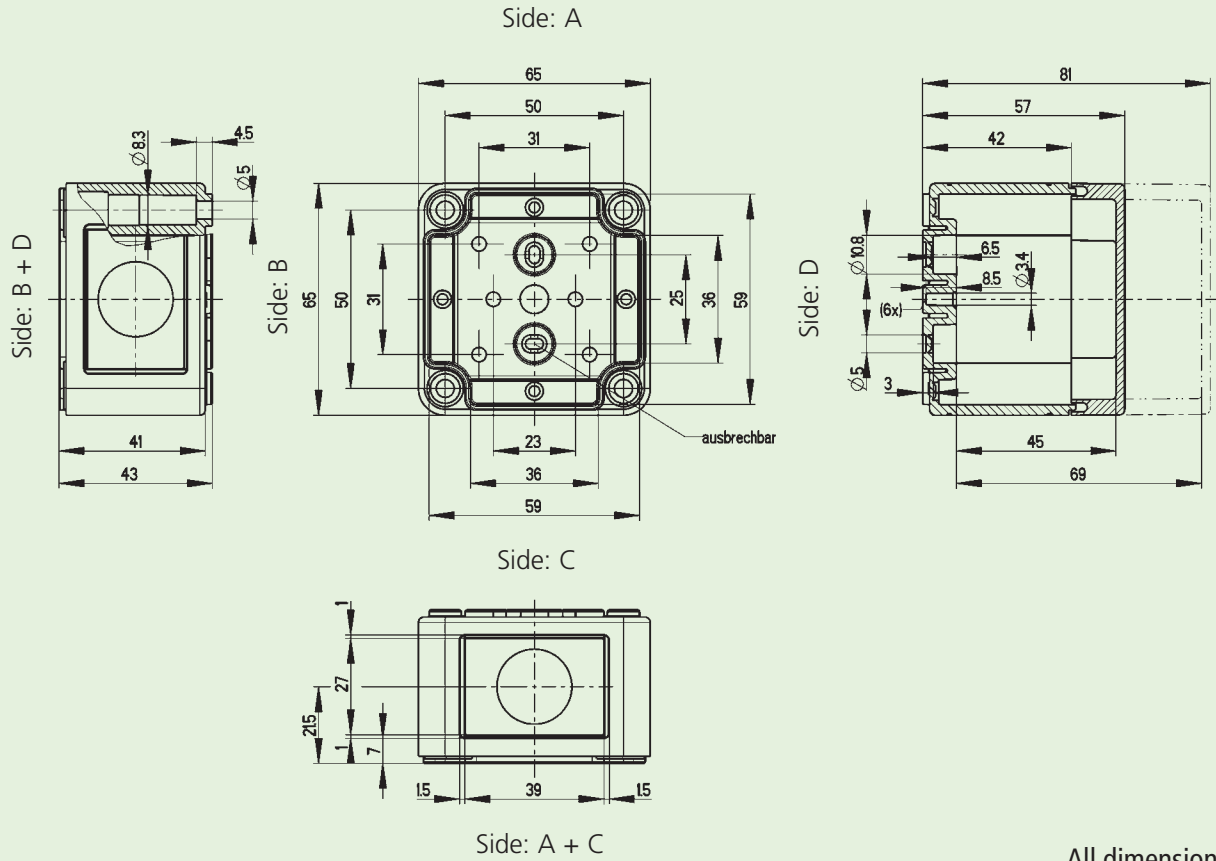
110 901 01



106 001 01

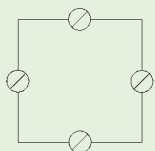


Sample application



All dimensions in mm

Enclosures with knockouts



Metric types
 \varnothing = M 16/20

Scale drawings available at:
www.spelsberg.com



Enclosures without knockouts

Maximum possible through openings per box side

M	A/C	B/D
12	2	2
16	1	1
20	1	1
25	-	-
32	-	-
40	-	-
50	-	-

Example of TK designation scheme

Material:
PS = Polystyrene
PC = Polycarbonate

approx. height in cm

Cover material:
t = transparent
n/a = grey

PS 1309-8-tm

approx. length x width in cm

m = metric knockouts
o = without knockouts
v = with moulded cable gland

TK PS 77

65 x 65 mm



Description

Order No.

Packing Qty

Empty enclosure,
base and cover: polystyrene, grey, similar to RAL 7035

IP66

IK07

690V
AC1000V
DC

	height/mm		
TK PS 77-6-m	57	105 401 01	40/5
TK PS 77-8-m	81	105 901 01	45/5
TK PS 77-6-o	57	110 401 01	40/5
TK PS 77-8-o	81	110 901 01	45/5

TK PS 77

65 x 65 mm



Empty enclosure,
base: polystyrene, grey, similar to RAL 7035,
cover: polycarbonate, transparent

IP66

IK07

690V
AC1000V
DC

	height/mm		
TK PS 77-6-tm	57	106 001 01	40/5
TK PS 77-8-tm	81	106 501 01	45/5
TK PS 77-6-to	57	111 001 01	40/5
TK PS 77-8-to	81	111 501 01	45/5

TK PC 77

65 x 65 mm



Empty enclosure - Industrial Quality -,
base and cover: glass fibre reinforced polycarbonate, grey, similar to RAL 7035

IP66

IK08

690V
AC1000V
DC

	height/mm		
TK PC 77-6-m	57	127 401 01	40/5
TK PC 77-8-m	81	127 901 01	45/5

TK PC 77

65 x 65 mm



Empty enclosure - Industrial Quality -,
base: glass fibre reinforced polycarbonate, grey, similar to RAL 7035,
cover: polycarbonate, transparent

IP66

IK08

690V
AC1000V
DC

	height/mm		
TK PC 77-6-tm	57	137 001 01	40/5
TK PC 77-8-tm	81	137 501 01	45/5

Empty enclosures



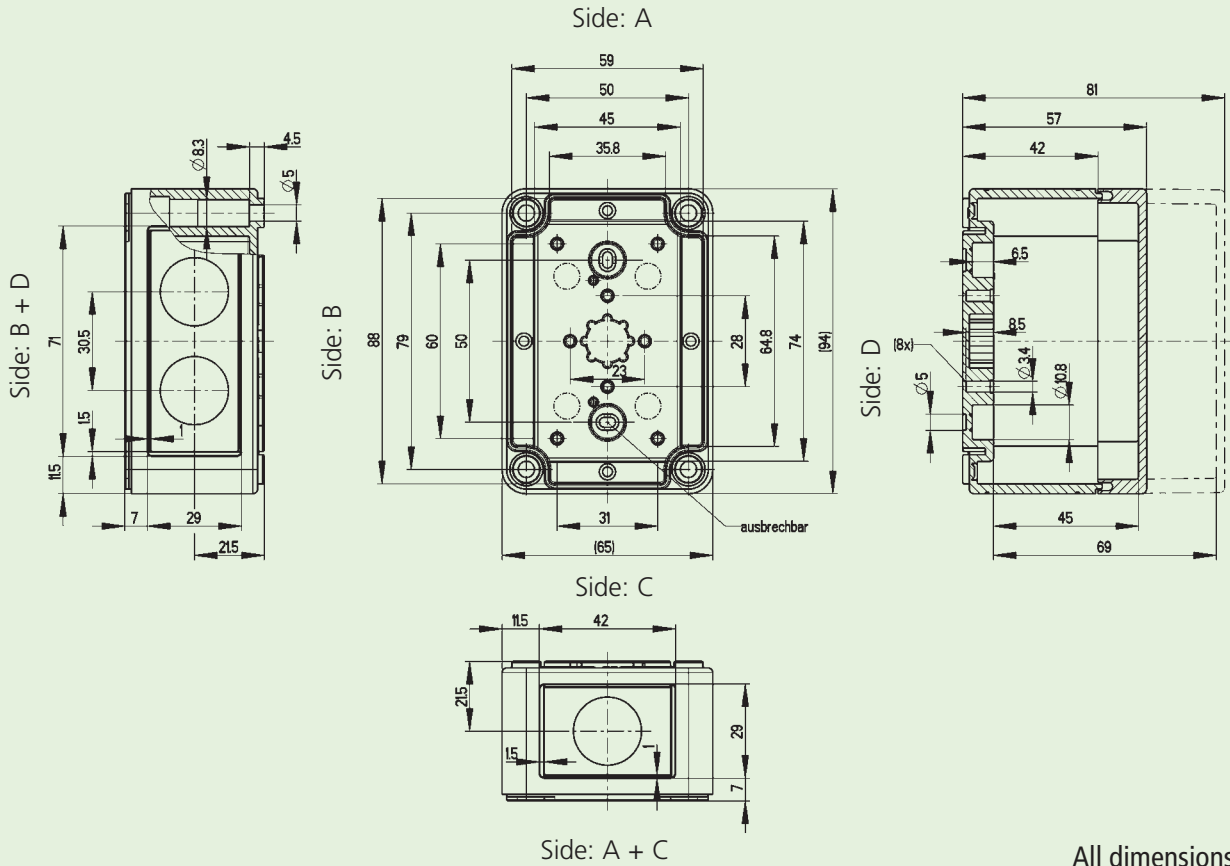
105 402 01



110 402 01

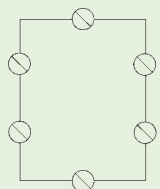


Sample application



All dimensions in mm

Enclosures with knockouts



Metric types
 \circ = M 16/20

Scale drawings available at:
www.spelsberg.com



Enclosures without knockouts

Maximum possible through openings per box side

M	A/C	B/D
12	2	3
16	1	2
20	1	2
25	1	1
32	-	-
40	-	-
50	-	-

Example of TK designation scheme

Material:
PS = Polystyrene
PC = Polycarbonate

approx. height in cm

Cover material:
t = transparent
n/a = grey

PS 1309-8-tm

approx. length x width in cm

m = metric knockouts
o = without knockouts
v = with moulded cable gland

TK PS 97

94 x 65 mm



Description

Order No.

Packing Qty

Empty enclosure,
base and cover: polystyrene, grey, similar to RAL 7035

IP66

IK07

690V
AC1000V
DC

height/mm

	height/mm	Order No.	Packing Qty
TK PS 97-6-m	57	105 402 01	25/5
TK PS 97-8-m	81	105 902 01	15/5
TK PS 97-6-o	57	110 402 01	25/5
TK PS 97-8-o	81	110 902 01	15/5

TK PS 97

94 x 65 mm



Empty enclosure,
base: polystyrene, grey, similar to RAL 7035,
cover: polycarbonate, transparent

IP66

IK07

690V
AC1000V
DC

height/mm

	height/mm	Order No.	Packing Qty
TK PS 97-6-tm	57	106 002 01	25/5
TK PS 97-8-tm	81	106 502 01	15/5
TK PS 97-6-to	57	111 002 01	25/5
TK PS 97-8-to	81	111 502 01	15/5

TK PC 97

94 x 65 mm



Empty enclosure - Industrial Quality -,
base and cover: glass fibre reinforced polycarbonate, grey, similar to RAL 7035

IP66

IK08

690V
AC1000V
DC

height/mm

	height/mm	Order No.	Packing Qty
TK PC 97-6-m	57	127 402 01	25/5
TK PC 97-8-m	81	127 902 01	15/5

TK PC 97

94 x 65 mm



Empty enclosure - Industrial Quality -,
base: glass fibre reinforced polycarbonate, grey, similar to RAL 7035,
cover: polycarbonate, transparent

IP66

IK08

690V
AC1000V
DC

height/mm

	height/mm	Order No.	Packing Qty
TK PC 97-6-tm	57	137 002 01	25/5
TK PC 97-8-tm	81	137 502 01	15/5

Empty enclosures



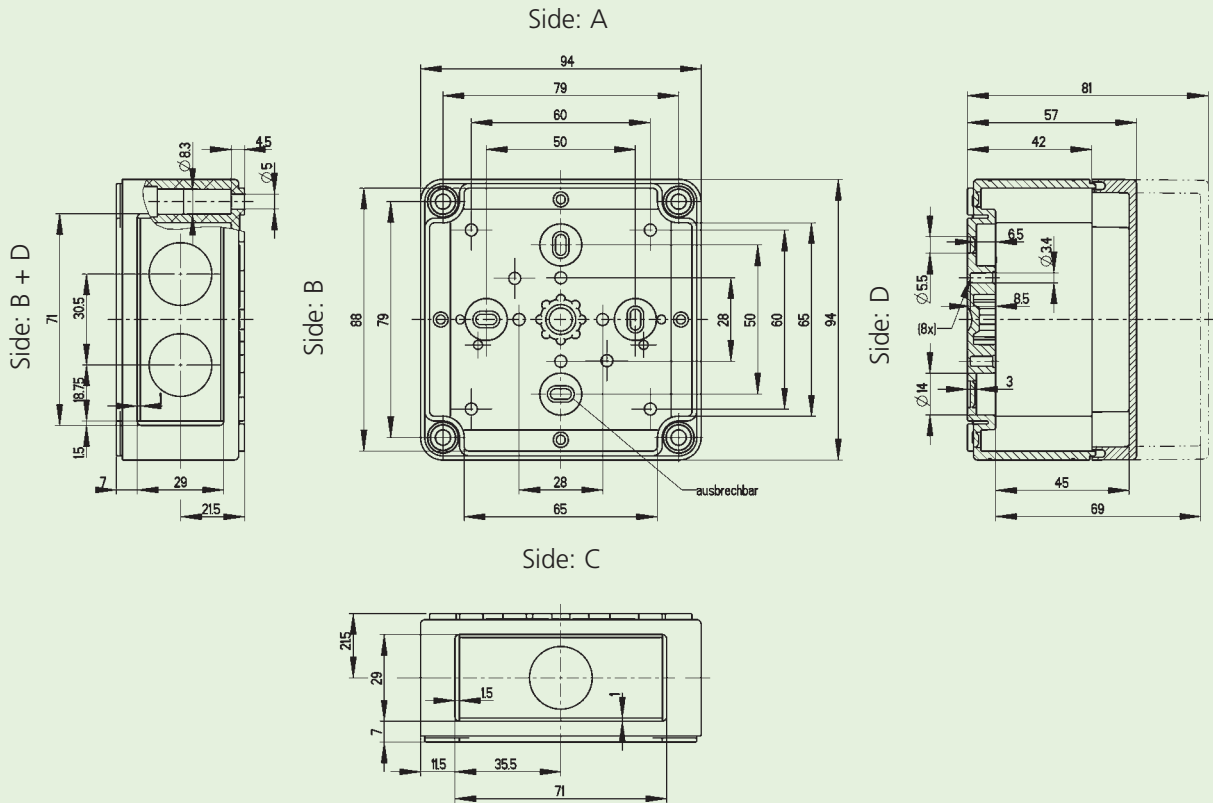
127 903 01



111 003 01

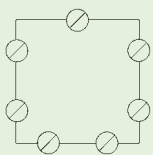


Sample application



All dimensions in mm

Enclosures with knockouts



Metric types

○ = M 16/20

Scale drawings available at:
www.spelsberg.com



Enclosures without knockouts

Maximum possible through openings per box side

M	A/C	B/D
12	3	3
16	2	2
20	2	2
25	-	-
32	-	-
40	-	-
50	-	-

Example of TK designation scheme

Material:

PS = Polystyrene

PC = Polycarbonate

approx. height in cm

Cover material:

t = transparent

n/a = grey

PS 1309-8-tm

approx. length x width in cm

m = metric knockouts
o = without knockouts
v = with moulded cable gland

TK PS 99

94 x 94 mm



Description

Order No.

Packing Qty

Empty enclosure,
base and cover: polystyrene, grey, similar to RAL 7035

IP66

IK07

690V
AC1000V
DC

	height/mm		
TK PS 99-6-m	57	105 403 01	40/4
TK PS 99-8-m	81	105 903 01	30/3
TK PS 99-6-o	57	110 403 01	40/4
TK PS 99-8-o	81	110 903 01	30/3

TK PS 99

94 x 94 mm



Empty enclosure,
base: polystyrene, grey, similar to RAL 7035,
cover: polycarbonate, transparent

IP66

IK07

690V
AC1000V
DC

	height/mm		
TK PS 99-6-tm	57	106 003 01	40/4
TK PS 99-8-tm	81	106 503 01	30/3
TK PS 99-6-to	57	111 003 01	40/4
TK PS 99-8-to	81	111 503 01	30/3

TK PC 99

94 x 94 mm



Empty enclosure - Industrial Quality -,
base and cover: glass fibre reinforced polycarbonate, grey, similar to RAL 7035

IP66

IK08

690V
AC1000V
DC

	height/mm		
TK PC 99-6-m	57	127 403 01	40/4
TK PC 99-8-m	81	127 903 01	30/3

TK PC 99

94 x 94 mm



Empty enclosure - Industrial Quality -,
base: glass fibre reinforced polycarbonate, grey, similar to RAL 7035,
cover: polycarbonate, transparent

IP66

IK08

690V
AC1000V
DC

	height/mm		
TK PC 99-6-tm	57	137 003 01	40/4
TK PC 99-8-tm	81	137 503 01	30/3

Empty enclosures



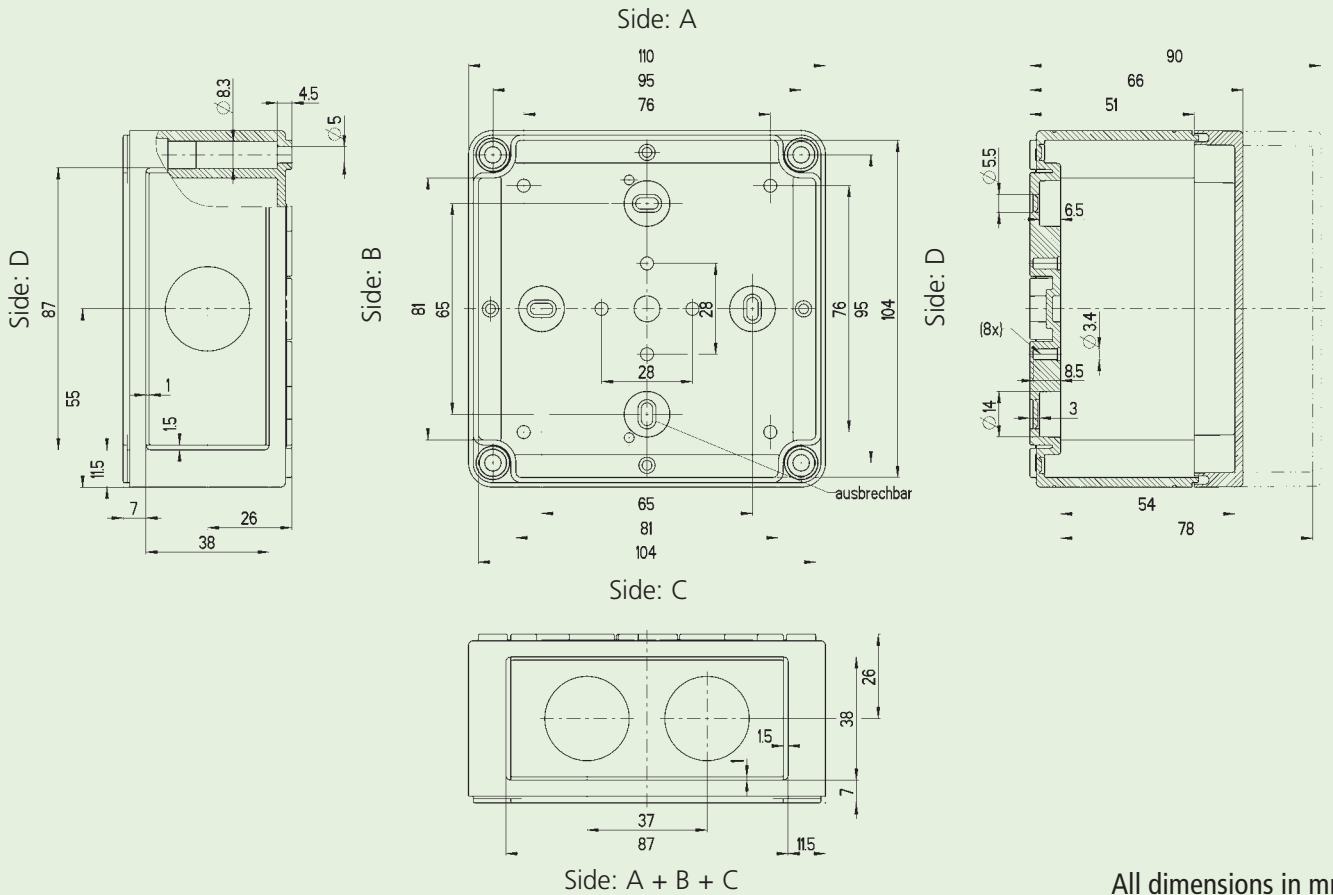
110 904 01



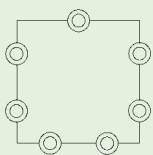
106 004 01



Sample application



Enclosures with knockouts



Metric types
 ○ = M 20/25

Scale drawings available at:
www.spelsberg.com



Enclosures without knockouts

Maximum possible through openings per box side

M	A/C	B/D
12	8	8
16	4	4
20	2	2
25	2	2
32	-	-
40	-	-
50	-	-

Example of TK designation scheme

Material:
 PS = Polystyrene
 PC = Polycarbonate

approx. height in cm

Cover material:
 t = transparent
 n/a = grey

PS 1309-8-tm

approx. length x width in cm

m = metric knockouts
o = without knockouts
v = with moulded cable gland

TK PS 1111
110 x 110 mm



Description

Order No.

Packing Qty

Empty enclosure,
base and cover: polystyrene, grey, similar to RAL 7035



	height/mm		
TK PS 1111-7-m	66	105 404 01	21/3
TK PS 1111-9-m	90	105 904 01	12/3
TK PS 1111-7-o	66	110 404 01	21/3
TK PS 1111-9-o	90	110 904 01	12/3

TK PS 1111
110 x 110 mm



Empty enclosure,
base: polystyrene, grey, similar to RAL 7035,
cover: polycarbonate, transparent



	height/mm		
TK PS 1111-7-tm	66	106 004 01	21/3
TK PS 1111-9-tm	90	106 504 01	12/3
TK PS 1111-7-to	66	111 004 01	21/3
TK PS 1111-9-to	90	111 504 01	12/3

TK PC 1111
110 x 110 mm



Empty enclosure - Industrial Quality -,
base and cover: glass fibre reinforced polycarbonate, grey, similar to RAL 7035



	height/mm		
TK PC 1111-7-m	66	127 404 01	21/3
TK PC 1111-9-m	90	127 904 01	12/3

TK PC 1111
110 x 110 mm



Empty enclosure - Industrial Quality -,
base: glass fibre reinforced polycarbonate, grey, similar to RAL 7035,
cover: polycarbonate, transparent



	height/mm		
TK PC 1111-7-tm	66	137 004 01	21/3
TK PC 1111-9-tm	90	137 504 01	12/3

Empty enclosures



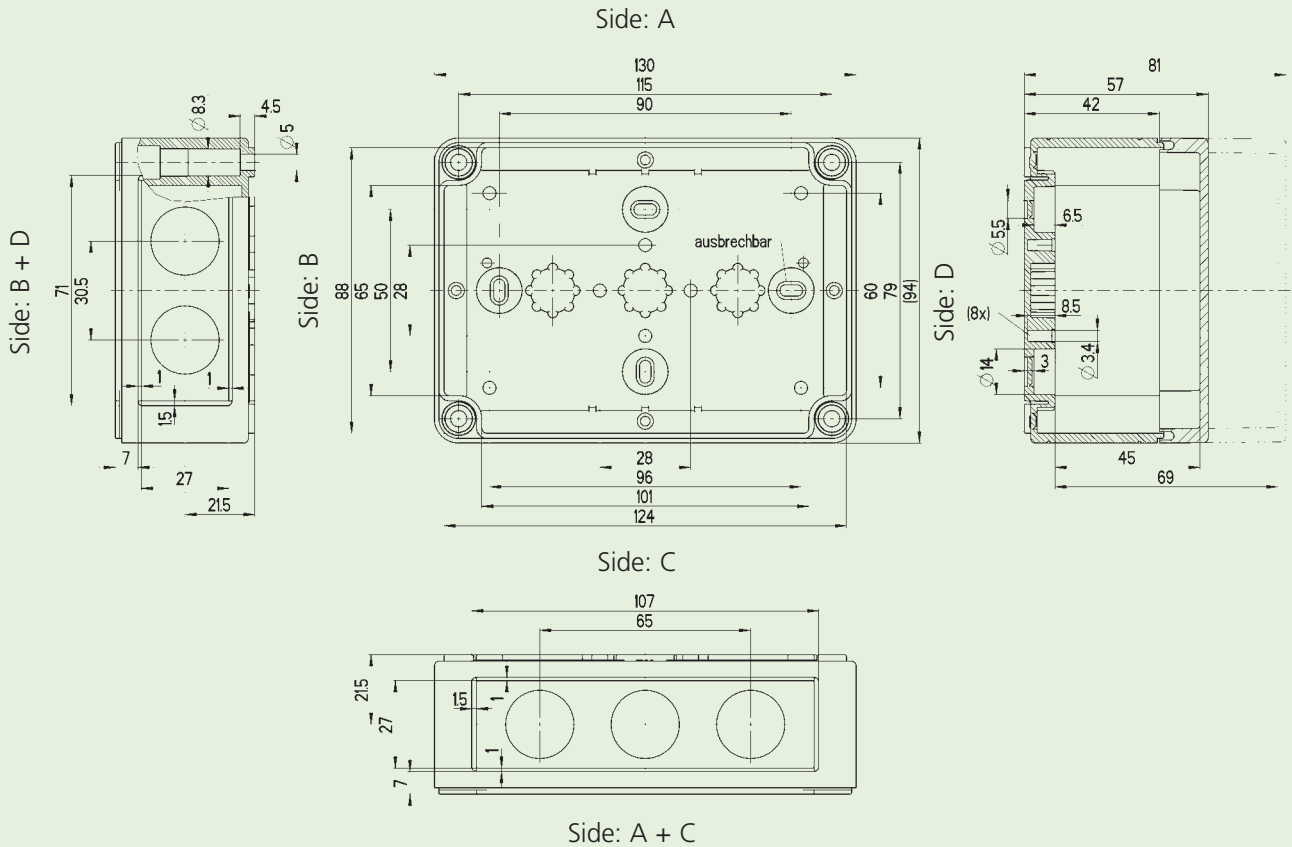
110 909 01



106 009 01

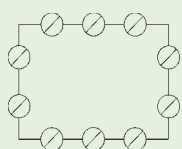


Sample application



All dimensions in mm

Enclosures with knockouts



Metric types
 \circ = M 16/20

Scale drawings available at:
www.spelsberg.com



Enclosures without knockouts

Maximum possible through openings per box side

M	A/C	B/D
12	5	3
16	4	2
20	3	2
25	2	1
32	-	-
40	-	-
50	-	-

Example of TK designation scheme

Material:
PS = Polystyrene
PC = Polycarbonate

approx. height in cm

Cover material:
t = transparent
n/a = grey

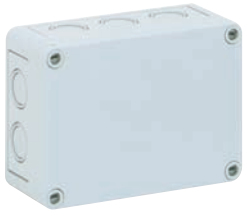
PS 1309-8-tm

approx. length x width in cm

m = metric knockouts
o = without knockouts
v = with moulded cable gland

TK PS 1309

130 x 94 mm



Description

Order No.

Packing Qty

Empty enclosure,
base and cover: polystyrene, grey, similar to RAL 7035

IP66

IK07

690V
AC1000V
DC

height/mm

TK PS 1309-6-m

57

105 409 01

30/3

TK PS 1309-8-m

81

105 909 01

21/3

TK PS 1309-6-o

57

110 409 01

30/3

TK PS 1309-8-o

81

110 909 01

21/3

TK PS 1309

130 x 94 mm



Empty enclosure,
base: polystyrene, grey, similar to RAL 7035,
cover: polycarbonate, transparent

IP66

IK07

690V
AC1000V
DC

height/mm

TK PS 1309-6-tm

57

106 009 01

30/3

TK PS 1309-8-tm

81

106 509 01

21/3

TK PS 1309-6-to

57

111 009 01

30/3

TK PS 1309-8-to

81

111 509 01

21/3

TK PC 1309

130 x 94 mm



Empty enclosure - Industrial Quality -,
base and cover: glass fibre reinforced polycarbonate, grey, similar to RAL 7035

IP66

IK08

690V
AC1000V
DC

height/mm

TK PC 1309-6-m

57

127 409 01

30/3

TK PC 1309-8-m

81

127 909 01

21/3

TK PC 1309

130 x 94 mm



Empty enclosure - Industrial Quality -,
base: glass fibre reinforced polycarbonate, grey, similar to RAL 7035,
cover: polycarbonate, transparent

IP66

IK08

690V
AC1000V
DC

height/mm

TK PC 1309-6-tm

57

137 009 01

30/3

TK PC 1309-8-tm

81

137 509 01

21/3

Empty enclosures



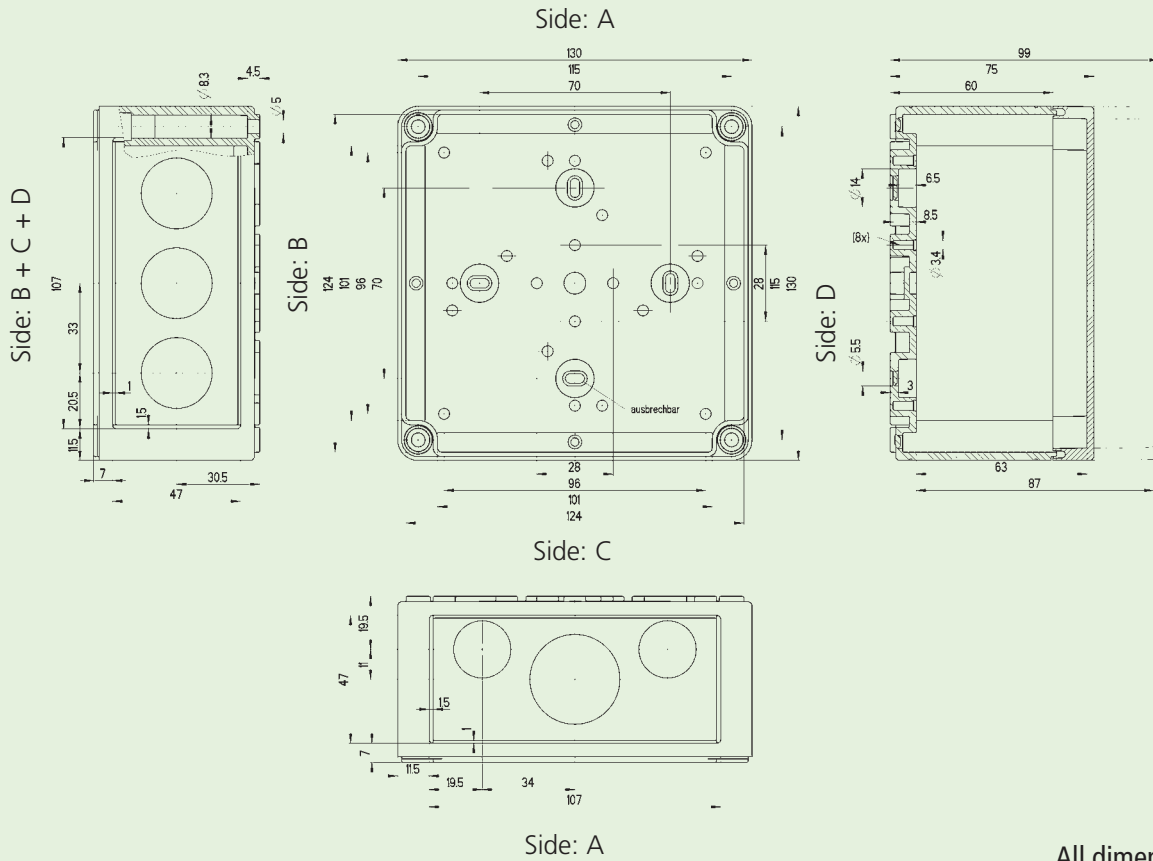
106 005 01



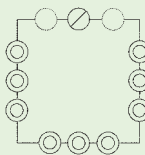
110 905 01



Sample application



Enclosures with knockouts



Metric types

- = M 20
- ⊙ = M 20/25
- ⊘ = M 25/32

Scale drawings available at:
www.spelsberg.com



Enclosures without knockouts

Maximum possible through openings per box side

M	A/C	B/D
12	10	10
16	6	6
20	3	3
25	3	3
32	2	2
40	-	-
50	-	-

Example of TK designation scheme

Material:
PS = Polystyrene
PC = Polycarbonate

approx. height in cm

Cover material:
t = transparent
n/a = grey

PS 1309-8-tm

approx. length x width in cm

m = metric knockouts
o = without knockouts
v = with moulded cable gland

TK PS 1313

130 x 130 mm



Description

Order No.

Packing Qty

Empty enclosure,
base and cover: polystyrene, grey, similar to RAL 7035

IP66

IK07



690V
AC

1000V
DC



height/mm

	height/mm	Order No.	Packing Qty
TK PS 1313-7-m	75	105 405 01	14/2
TK PS 1313-10-m	99	105 905 01	8/2
TK PS 1313-7-o	75	110 405 01	14/2
TK PS 1313-10-o	99	110 905 01	8/2

TK PS 1313

130 x 130 mm



Empty enclosure,
base: polystyrene, grey, similar to RAL 7035,
cover: polycarbonate, transparent

IP66

IK07



690V
AC

1000V
DC



height/mm

	height/mm	Order No.	Packing Qty
TK PS 1313-7-tm	75	106 005 01	14/2
TK PS 1313-10-tm	99	106 505 01	8/2
TK PS 1313-7-to	75	111 005 01	14/2
TK PS 1313-10-to	99	111 505 01	8/2

TK PC 1313

130 x 130 mm



Empty enclosure - Industrial Quality -,
base and cover: glass fibre reinforced polycarbonate, grey, similar to RAL 7035

IP66

IK08



690V
AC

1000V
DC



height/mm

	height/mm	Order No.	Packing Qty
TK PC 1313-7-m	75	127 405 01	14/2
TK PC 1313-10-m	99	127 905 01	8/2

TK PC 1313

130 x 130 mm



Empty enclosure - Industrial Quality -,
base: glass fibre reinforced polycarbonate, grey, similar to RAL 7035,
cover: polycarbonate, transparent

IP66

IK08



690V
AC

1000V
DC



height/mm

	height/mm	Order No.	Packing Qty
TK PC 1313-7-tm	75	137 005 01	14/2
TK PC 1313-10-tm	99	137 505 01	8/2

Empty enclosures



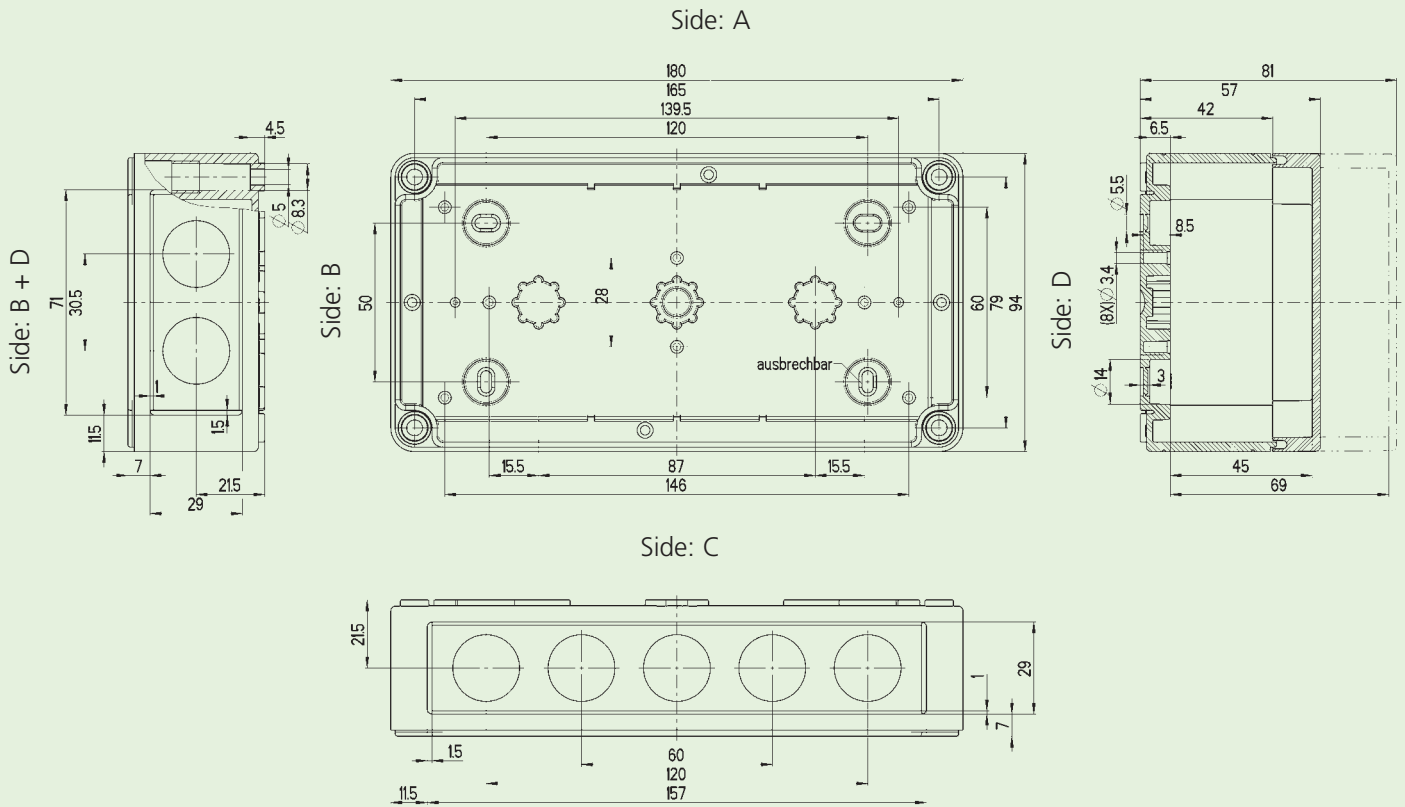
110 910 01



111 510 01

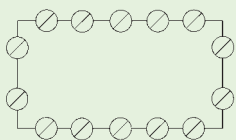


Sample application



All dimensions in mm

Enclosures with knockouts



Metric types
 ∅ = M 16/20

Scale drawings available at:
www.spelsberg.com

Enclosures without knockouts

Maximum possible through openings per box side

M	A/C	B/D
12	8	3
16	6	2
20	5	2
25	4	1
32	-	-
40	-	-
50	-	-

Example of TK designation scheme

Material:
 PS = Polystyrene
 PC = Polycarbonate

approx. height in cm

Cover material:
 t = transparent
 n/a = grey

PS 1309-8-tm

approx. length x width in cm

m = metric knockouts
o = without knockouts
v = with moulded cable gland

TK PS 1809

180 x 94 mm



Description

Order No.

Packing Qty

Empty enclosure,
base and cover: polystyrene, grey, similar to RAL 7035

IP66

IK07



690V
AC

1000V
DC



height/mm

	height/mm	Order No.	Packing Qty
TK PS 1809-6-m	57	105 410 01	20/2
TK PS 1809-8-m	81	105 910 01	14/2
TK PS 1809-6-o	57	110 410 01	20/2
TK PS 1809-8-o	81	110 910 01	14/2

TK PS 1809

180 x 94 mm



Empty enclosure,
base: polystyrene, grey, similar to RAL 7035,
cover: polycarbonate, transparent

IP66

IK07



690V
AC

1000V
DC



height/mm

	height/mm	Order No.	Packing Qty
TK PS 1809-6-tm	57	106 010 01	20/2
TK PS 1809-8-tm	81	106 510 01	14/2
TK PS 1809-6-to	57	111 010 01	20/2
TK PS 1809-8-to	81	111 510 01	14/2

TK PC 1809

180 x 94 mm



Empty enclosure - Industrial Quality -,
base and cover: glass fibre reinforced polycarbonate, grey, similar to RAL 7035

IP66

IK08



690V
AC

1000V
DC



height/mm

	height/mm	Order No.	Packing Qty
TK PC 1809-6-m	57	127 410 01	20/2
TK PC 1809-8-m	81	127 910 01	14/2

TK PC 1809

180 x 94 mm



Empty enclosure - Industrial Quality -,
base: glass fibre reinforced polycarbonate, grey, similar to RAL 7035,
cover: polycarbonate, transparent

IP66

IK08



690V
AC

1000V
DC



height/mm

	height/mm	Order No.	Packing Qty
TK PC 1809-6-tm	57	137 010 01	20/2
TK PC 1809-8-tm	81	137 510 01	14/2

Empty enclosures



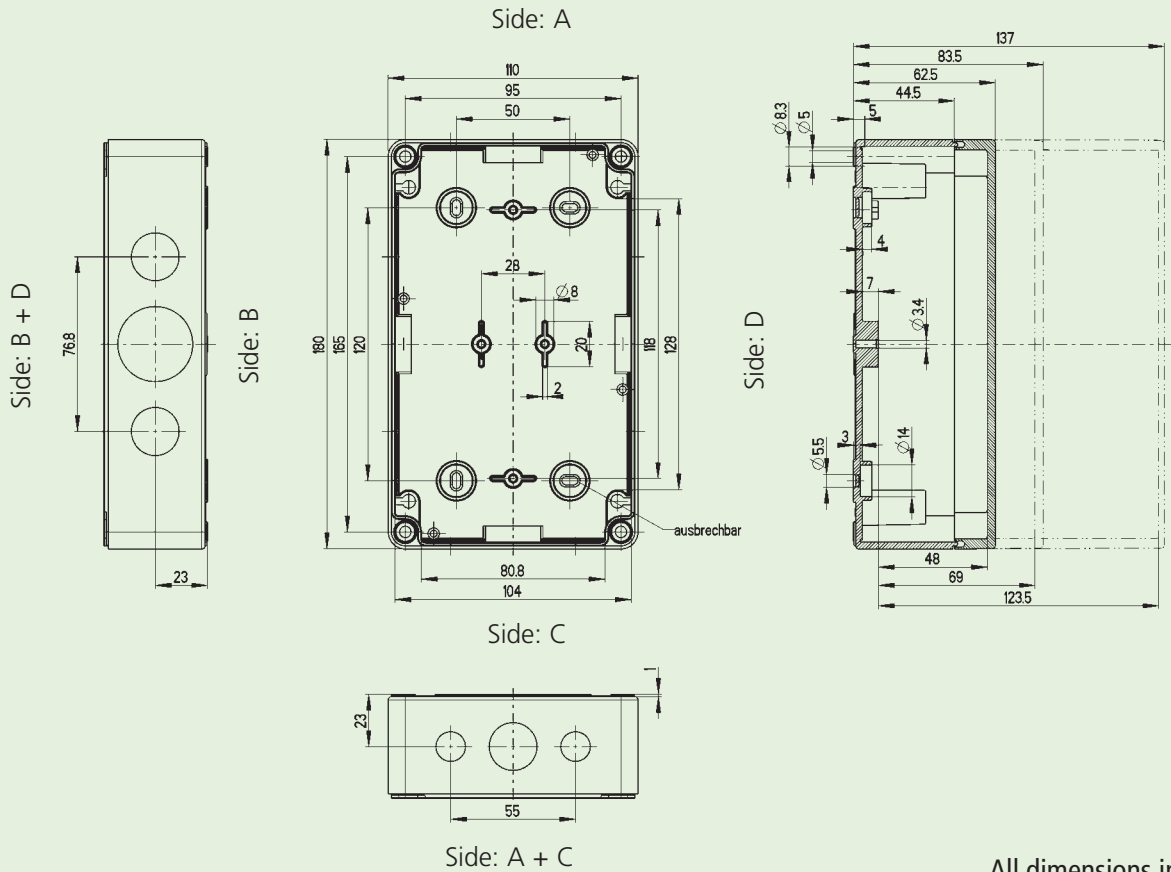
127 914 01



137 014 01

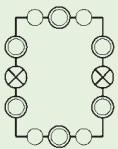


Sample application



All dimensions in mm

Enclosures with knockouts



Metric types

- = M 12
- ⊙ = M 16/20
- ⊗ = M 25/32

Scale drawings available at:
www.spelsberg.com



Enclosures without knockouts

Maximum possible through openings per box side

M	A/C	B/D
12	4	8
16	3	4
20	2	4
25	2	3
32	1	2

Example of TK designation scheme

Material:
PS = Polystyrene
PC = Polycarbonate

approx. height in cm

Cover material:
t = transparent
n/a = grey

PS 1309-8-tm

approx. length x width in cm

m = metric knockouts
o = without knockouts
v = with moulded cable gland

TK PS 1811 flat
180 x 110 mm



Description

Order No.

Packing Qty

Empty enclosure,
base and cover: polystyrene, grey, similar to RAL 7035



	height/mm		
TK PS 1811-6f-m	63	105 414 01	12/2
TK PS 1811-8f-m	84	105 914 01	12/2
TK PS 1811-13f-m	137	104 414 01	8/2
TK PS 1811-6f-o	63	110 414 01	12/2
TK PS 1811-8f-o	84	110 914 01	12/2
TK PS 1811-13f-o	137	109 414 01	8/2

TK PS 1811 flat
180 x 110 mm



Empty enclosure,
base: polystyrene, grey, similar to RAL 7035,
cover: polycarbonate, transparent



	height/mm		
TK PS 1811-6f-tm	63	106 014 01	12/2
TK PS 1811-8f-tm	84	106 514 01	12/2
TK PS 1811-13f-tm	137	107 014 01	8/2
TK PS 1811-6f-to	63	111 014 01	12/2
TK PS 1811-8f-to	84	111 514 01	12/2
TK PS 1811-13f-to	137	112 014 01	8/2

TK PC 1811 flat
180 x 110 mm



Empty enclosure - Industrial Quality -,
base and cover: glass fibre reinforced polycarbonate, grey, similar to RAL 7035



	height/mm		
TK PC 1811-6f-m	63	127 414 01	12/2
TK PC 1811-8f-m	84	127 914 01	12/2
TK PC 1811-13f-m	137	128 414 01	12/2

TK PC 1811 flat
180 x 110 mm



Empty enclosure - Industrial Quality -,
base glass fibre reinforced polycarbonate, grey, similar to RAL 7035,
cover: polycarbonate, transparent



	height/mm		
TK PC 1811-6f-tm	63	137 014 01	8/2
TK PC 1811-8f-tm	84	137 514 01	8/2
TK PC 1811-13f-tm	137	138 014 01	8/2

Empty enclosures



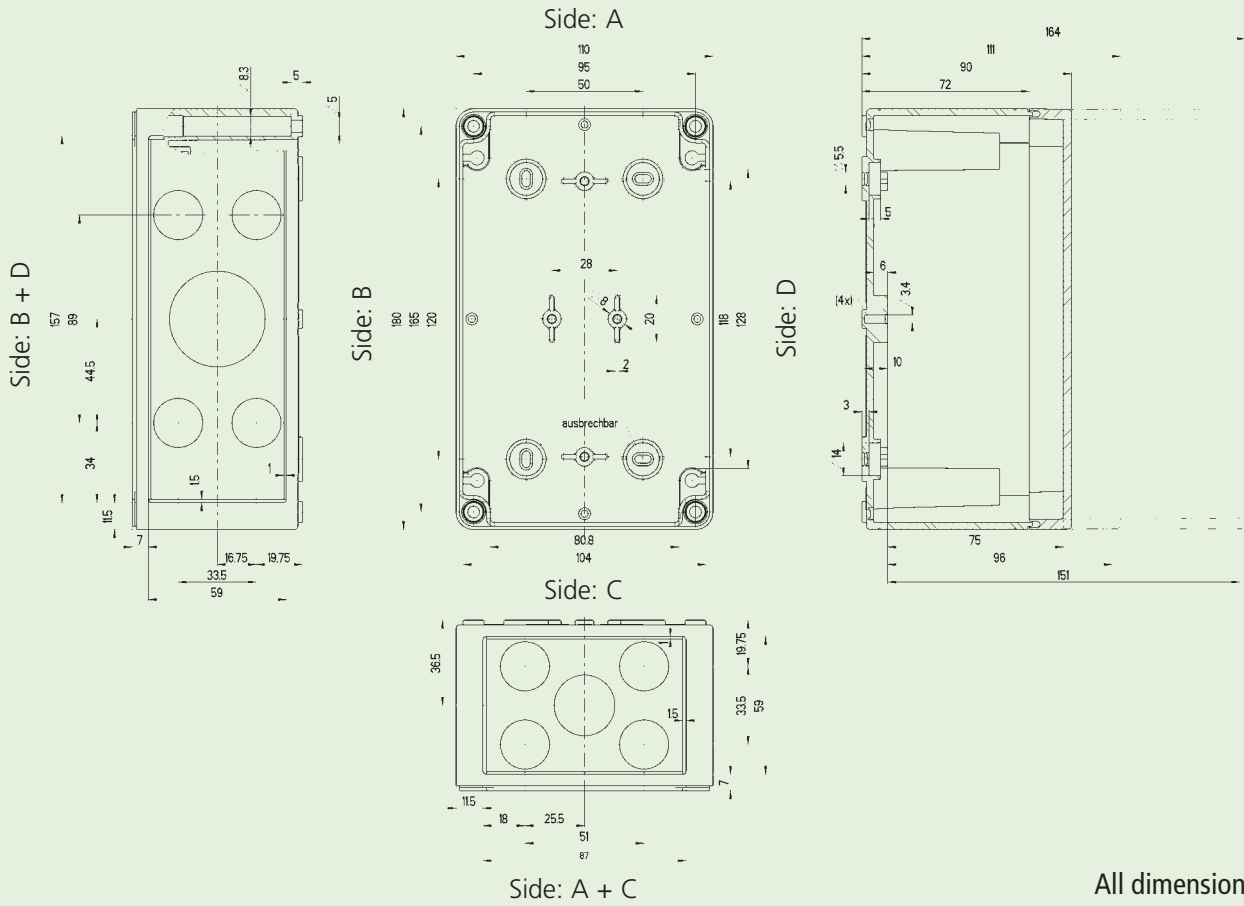
106 006 01



109 406 01

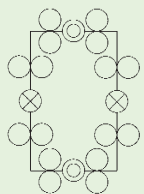


Sample application



All dimensions in mm

Enclosures with knockouts



Metric types

- = M 20
- ⊙ = M 20/25
- ⊗ = M32/40

Scale drawings available at:
www.spelsberg.com



Enclosures without knockouts

Maximum possible through openings per box side

M	A/C	B/D
12	12	20
16	6	10
20	5	8
25	3	5
32	1	3
40	1	2
50	1	1

Example of TK designation scheme

Material:
PS = Polystyrene
PC = Polycarbonate

approx. height in cm

Cover material:
t = transparent
n/a = grey

PS 1309-8-tm

approx. length x width in cm

m = metric knockouts
o = without knockouts
v = with moulded cable gland

TK PS 1811
180 x 110 mm



Description

Order No.

Packing Qty

Empty enclosure,
base and cover: polystyrene, grey, similar to RAL 7035



	height/mm		
TK PS 1811-9-m	90	105 406 01	16/2
TK PS 1811-11-m	111	105 906 01	12/2
TK PS 1811-16-m	165	104 406 01	8/2
TK PS 1811-9-o	90	110 406 01	16/2
TK PS 1811-11-o	111	110 906 01	12/2
TK PS 1811-16-o	165	109 406 01	8/2

TK PS 1811
180 x 110 mm



Empty enclosure,
base: polystyrene, grey, similar to RAL 7035,
cover: polycarbonate, transparent



	height/mm		
TK PS 1811-9-tm	90	106 006 01	16/2
TK PS 1811-11-tm	111	106 506 01	12/2
TK PS 1811-16-tm	165	107 006 01	8/2
TK PS 1811-9-to	90	111 006 01	16/2
TK PS 1811-11-to	111	111 506 01	12/2
TK PS 1811-16-to	165	112 006 01	8/2

TK PC 1811
180 x 110 mm



Empty enclosure - Industrial Quality -,
base and cover: glass fibre reinforced polycarbonate



	height/mm		
TK PC 1811-9-m	90	127 406 01	16/2
TK PC 1811-11-m	111	127 906 01	12/2
TK PC 1811-16-m	165	128 406 01	8/2

TK PC 1811
180 x 110 mm



Empty enclosure - Industrial Quality -,
base glass fibre reinforced polycarbonate, grey, similar to RAL 7035,
cover: polycarbonate, transparent



	height/mm		
TK PC 1811-9-tm	90	137 006 01	16/2
TK PC 1811-11-tm	111	137 506 01	12/2
TK PC 1811-16-tm	165	138 006 01	8/2

Empty enclosures



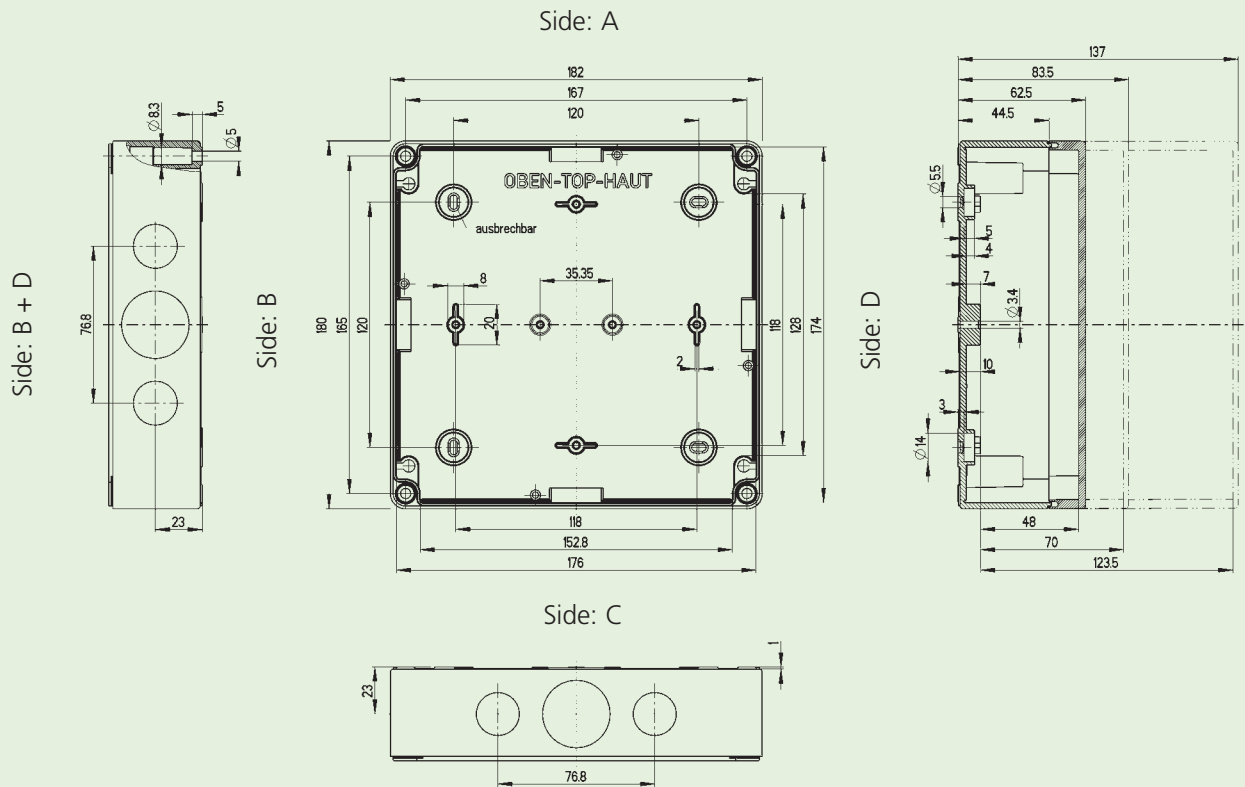
110 913 01



105 413 01

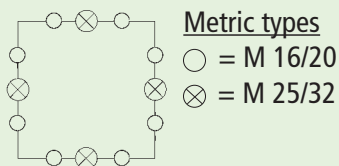


Sample application



All dimensions in mm

Enclosures with knockouts



Scale drawings available at:
www.spelsberg.com



Enclosures without knockouts

Maximum possible through openings per box side

M	A/B/C/D
12	12
16	6
20	4
25	3
32	1

Example of TK designation scheme

Material:
PS = Polystyrene
PC = Polycarbonate

approx. height in cm

Cover material:
t = transparent
n/a = grey

PS 1309-8-tm

approx. length x width in cm

m = metric knockouts
o = without knockouts
v = with moulded cable gland

TK PS 1818 flat
182 x 180 mm



Description

Order No.

Packing Qty

Empty enclosure,
base and cover: polystyrene, grey, similar to RAL 7035

IP66

IK07



690V
AC

1000V
DC



	height/mm		
TK PS 1818-6f-m	63	105 413 01	8/2
TK PS 1818-8f-m	84	105 913 01	8/2
TK PS 1818-13f-m	137	104 413 01	4/1
TK PS 1818-6f-o	63	110 413 01	8/2
TK PS 1818-8f-o	84	110 913 01	8/2
TK PS 1818-13f-o	137	109 413 01	8/2

TK PS 1818 flat
182 x 180 mm



Empty enclosure,
base: polystyrene, grey, similar to RAL 7035,
cover: polycarbonate, transparent

IP66

IK07



690V
AC

1000V
DC



	height/mm		
TK PS 1818-6f-tm	63	106 013 01	8/2
TK PS 1818-8f-tm	84	106 513 01	8/2
TK PS 1818-13f-tm	137	107 013 01	4/2
TK PS 1818-6f-to	63	111 013 01	8/2
TK PS 1818-8f-to	84	111 513 01	8/2
TK PS 1818-13f-to	137	112 013 01	8/2

TK PC 1818 flat
182 x 180 mm



Empty enclosure - Industrial Quality -,
base and cover: glass fibre reinforced polycarbonate, grey, similar to RAL 7035

IP66

IK08



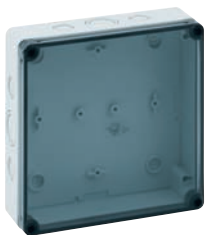
690V
AC

1000V
DC



	height/mm		
TK PC 1818-6f-m	63	127 413 01	8/2
TK PC 1818-8f-m	84	127 913 01	8/2
TK PC 1818-13f-m	137	128 413 01	8/2

TK PC 1818 flat
182 x 180 mm



Empty enclosure - Industrial Quality -,
base: glass fibre reinforced polycarbonate, grey, similar to RAL 7035,
cover: polycarbonate, transparent

IP66

IK08



690V
AC

1000V
DC



	height/mm		
TK PC 1818-6f-tm	63	137 013 01	8/2
TK PC 1818-8f-tm	84	137 513 01	8/2
TK PC 1818-13f-tm	137	138 013 01	8/2

Empty enclosures



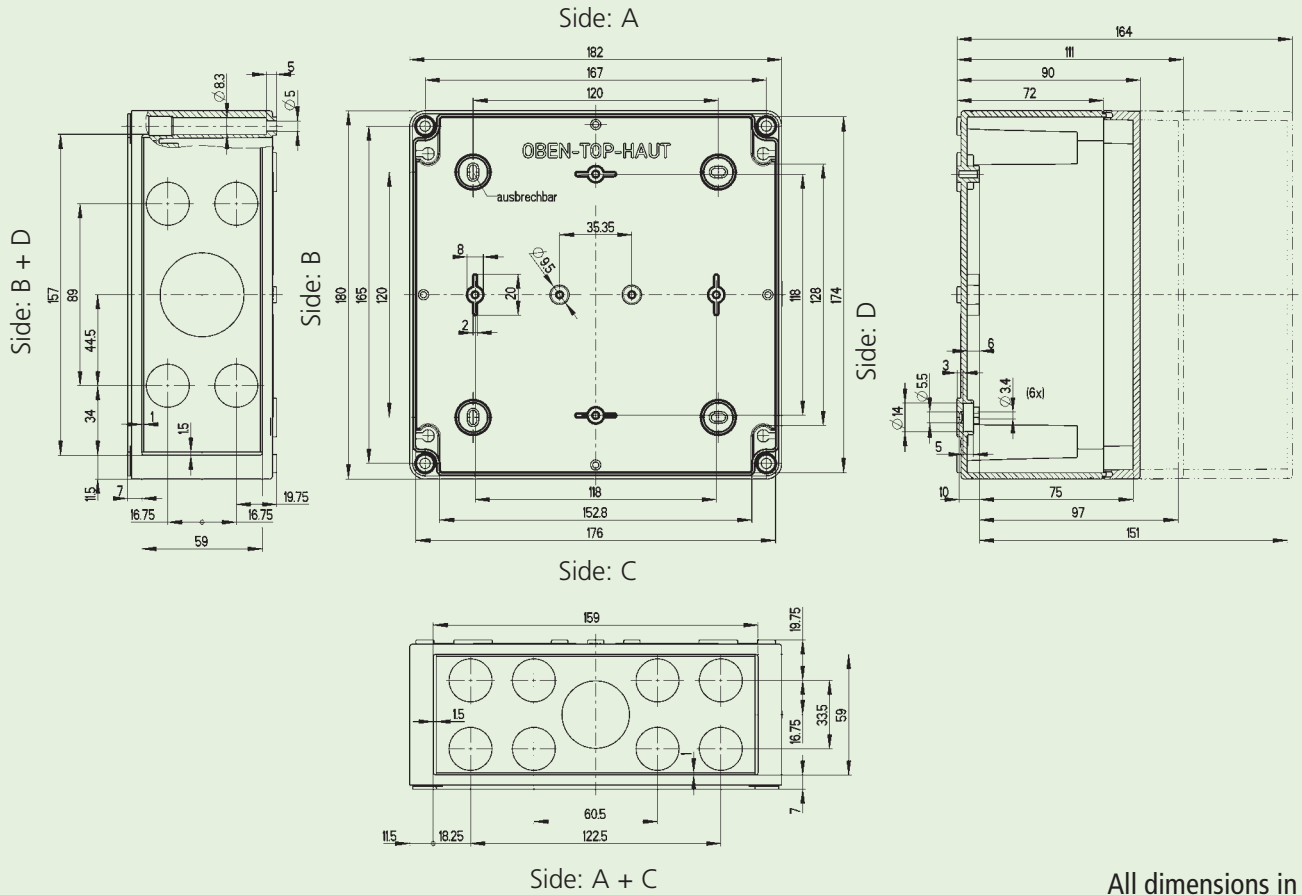
110 907 01



105 407 01

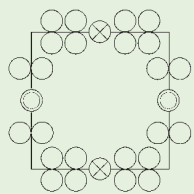


Sample application



All dimensions in mm

Enclosures with knockouts



Metric types

- = M 20
- ⊗ = M 32/40
- ⊖ = M 25/32

Scale drawings available at:
www.spelsberg.com



Enclosures without knockouts

Maximum possible through openings per box side

M	A/C	B/D
12	23	20
16	12	10
20	10	8
25	5	5
32	3	3
40	3	2
50	2	1

Example of TK designation scheme

Material:
PS = Polystyrene
PC = Polycarbonate

approx. height in cm

Cover material:
t = transparent
n/a = grey

PS 1309-8-tm

approx. length x width in cm

m = metric knockouts
o = without knockouts
v = with moulded cable gland

TK PS 1818

182 x 180 mm



Description

Order No.

Packing Qty

Empty enclosure,
base and cover: polystyrene, grey, similar to RAL 7035

IP66

IK07

690V
AC1000V
DC

	height/mm		
TK PS 1818-9-m	90	105 407 01	8/2
TK PS 1818-11-m	111	105 907 01	8/2
TK PS 1818-16-m	165	104 407 01	4/1
TK PS 1818-9-o	90	110 407 01	8/2
TK PS 1818-11-o	111	110 907 01	8/2
TK PS 1818-16-o	165	109 407 01	4/1

TK PS 1818

182 x 180 mm



Empty enclosure,
base: polystyrene, grey, similar to RAL 7035,
cover: polycarbonate, transparent

IP66

IK07

690V
AC1000V
DC

	height/mm		
TK PS 1818-9-tm	90	106 007 01	8/2
TK PS 1818-11-tm	111	106 507 01	8/2
TK PS 1818-16-tm	165	107 007 01	4/1
TK PS 1818-9-to	90	111 007 01	8/2
TK PS 1818-11-to	111	111 507 01	8/2
TK PS 1818-16-to	165	112 007 01	4/1

TK PC 1818

182 x 180 mm



Empty enclosure - Industrial Quality -,
base and cover: glass fibre reinforced polycarbonate, grey, similar to RAL 7035

IP66

IK08

690V
AC1000V
DC

	height/mm		
TK PC 1818-9-m	90	127 407 01	8/2
TK PC 1818-11-m	111	127 907 01	8/2
TK PC 1818-16-m	165	128 407 01	4/1

TK PC 1818

182 x 180 mm



Empty enclosure - Industrial Quality -,
base: glass fibre reinforced polycarbonate, grey, similar to RAL 7035,
cover: polycarbonate, transparent

IP66

IK08

690V
AC1000V
DC

	height/mm		
TK PC 1818-9-tm	90	137 007 01	8/2
TK PC 1818-11-tm	111	137 507 01	8/2
TK PC 1818-16-tm	165	138 007 01	4/1

Empty enclosures



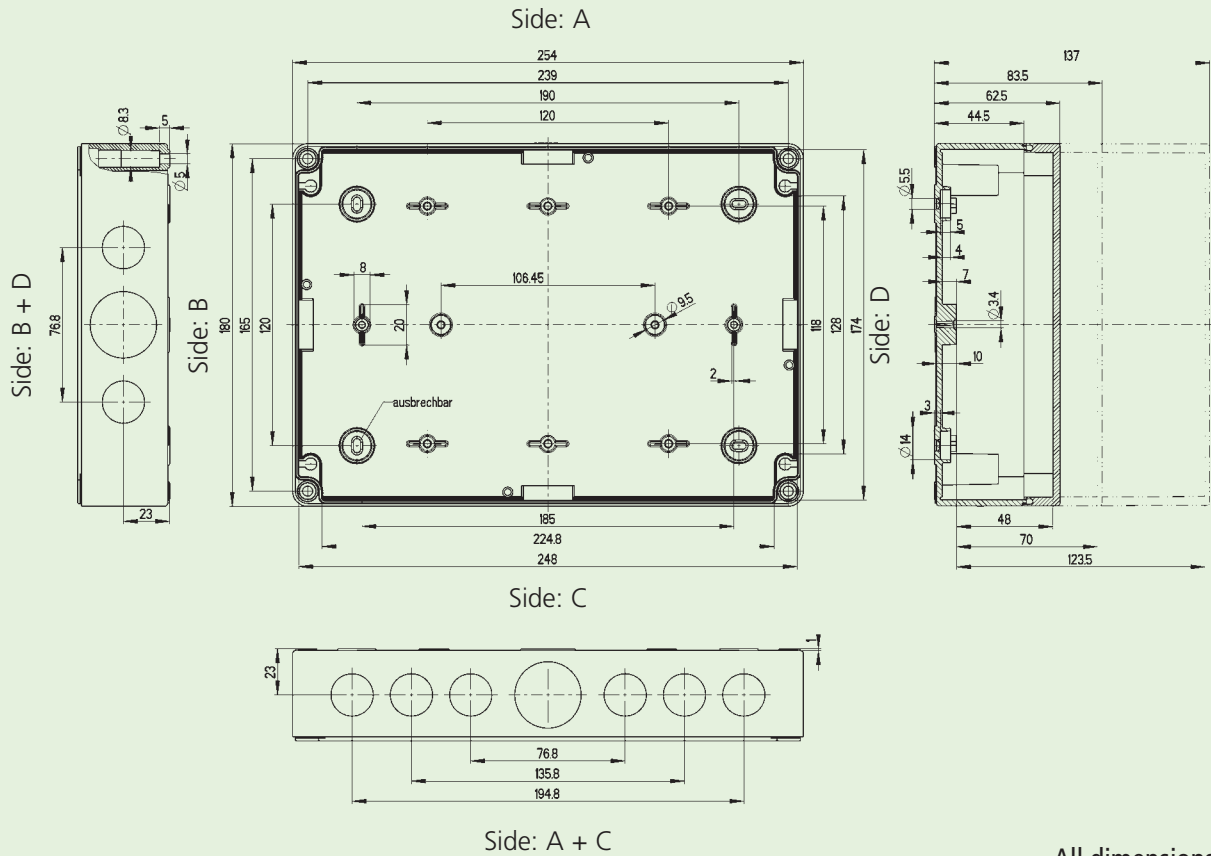
110 911 01



111 011 01

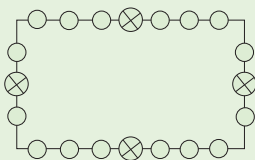


Sample application



All dimensions in mm

Enclosures with knockouts



Metric types

- = M 16/20
- ⊗ = M25/32

Scale drawings available at:
www.spelsberg.com



Enclosures without knockouts

Maximum possible through openings per box side

M	A/C	B/D
12	22	12
16	10	5
20	7	4
25	6	3
32	1	1
40	-	-
50	-	-

Example of TK designation scheme

Material:
PS = Polystyrene
PC = Polycarbonate

approx. height in cm

Cover material:
t = transparent
n/a = grey

PS 1309-8-tm

approx. length x width in cm

m = metric knockouts
o = without knockouts
v = with moulded cable gland

TK PS 2518 flat

254 x 180 mm



Description

Order No.

Packing Qty

Empty enclosure,
base and cover: polystyrene, grey, similar to RAL 7035

IP66

IK07



690V
AC

1000V
DC



	height/mm		
TK PS 2518-6f-m	63	105 411 01	8/1
TK PS 2518-8f-m	84	105 911 01	8/1
TK PS 2518-13f-m	137	104 411 01	4/1
TK PS 2518-6f-o	63	110 411 01	8/1
TK PS 2518-8f-o	84	110 911 01	8/1
TK PS 2518-13f-o	137	109 411 01	4/1

TK PS 2518 flat

254 x 180 mm



Empty enclosure,
base: polystyrene, grey, similar to RAL 7035,
cover: polycarbonate, transparent

IP66

IK07



690V
AC

1000V
DC



	height/mm		
TK PS 2518-6f-tm	63	106 011 01	8/1
TK PS 2518-8f-tm	84	106 511 01	8/1
TK PS 2518-13f-tm	137	107 011 01	4/1
TK PS 2518-6f-to	63	111 011 01	8/1
TK PS 2518-8f-to	84	111 511 01	8/1
TK PS 2518-13f-to	137	112 011 01	4/1

TK PC 2518 flat

254 x 180 mm



Empty enclosure - Industrial Quality -,
base and cover: glass fibre reinforced polycarbonate, grey, similar to RAL 7035

IP66

IK08



690V
AC

1000V
DC



	height/mm		
TK PC 2518-6f-m	63	127 411 01	8/1
TK PC 2518-8f-m	84	127 911 01	8/1
TK PC 2518-13f-m	137	128 411 01	4/1

TK PC 2518 flat

254 x 180 mm



Empty enclosure - Industrial Quality -,
base: glass fibre reinforced polycarbonate, grey, similar to RAL 7035,
cover: polycarbonate, transparent

IP66

IK08



690V
AC

1000V
DC



	height/mm		
TK PC 2518-6f-tm	63	137 011 01	8/1
TK PC 2518-8f-tm	84	137 511 01	8/1
TK PC 2518-13f-tm	137	138 011 01	4/1

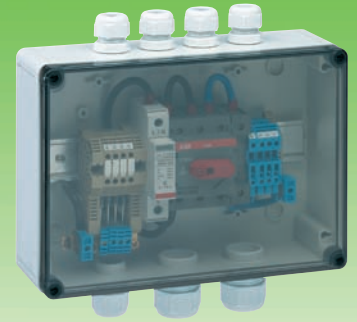
Empty enclosures



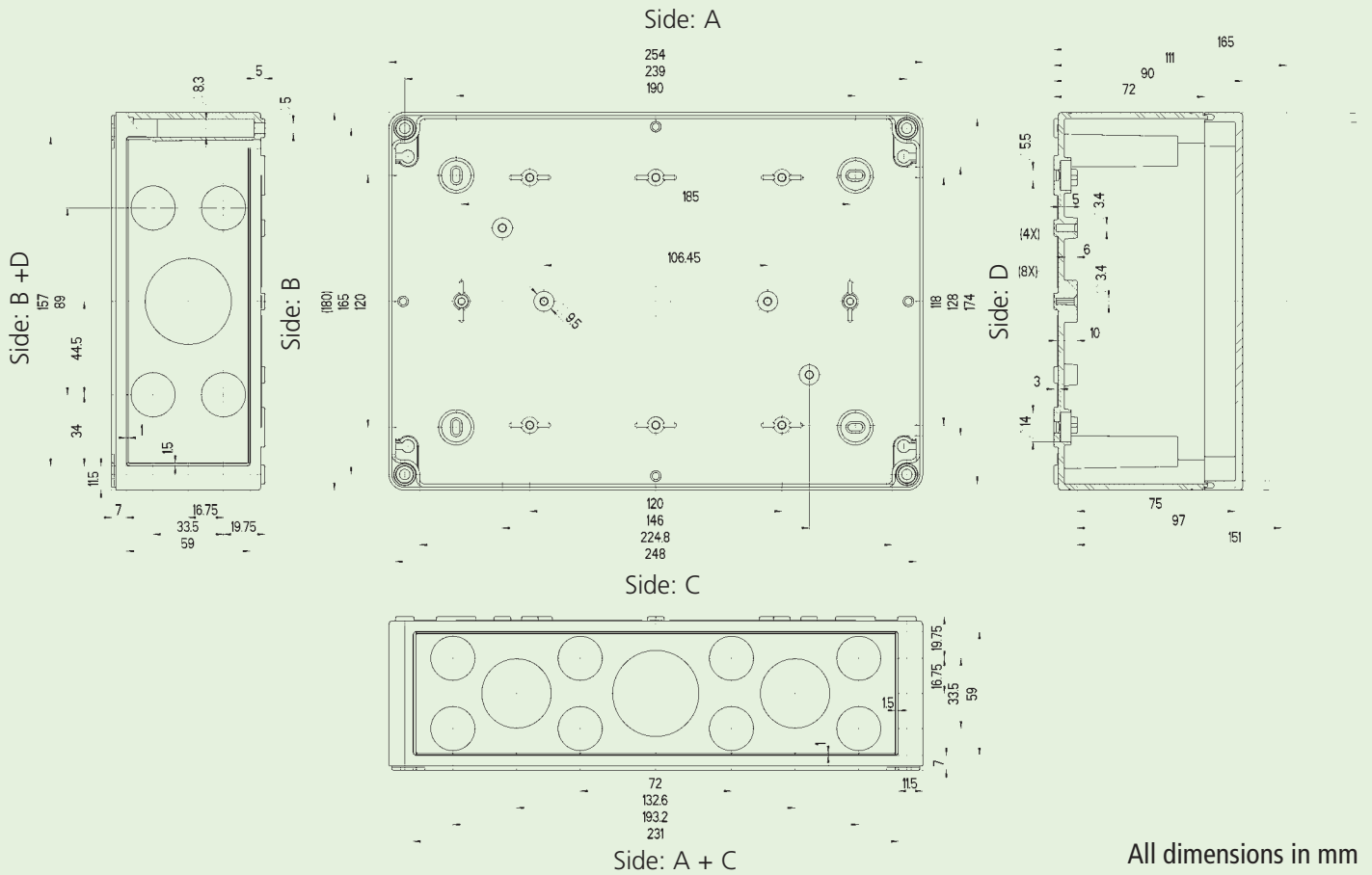
106 508 01



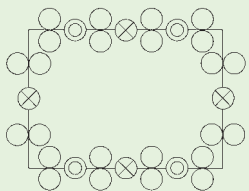
109 408 01



Sample application



Enclosures with knockouts



Metric types

- = M 20
- ⊙ = M 25/32
- ⊗ = M 32/40

Scale drawings available at:
www.spelsberg.com



Enclosures without knockouts

Maximum possible through openings per box side

M	A/C	B/D
12	33	20
16	18	10
20	14	8
25	11	5
32	5	3
40	4	2
50	3	1

Example of TK designation scheme

Material:
PS = Polystyrene
PC = Polycarbonate

approx. height in cm

Cover material:
t = transparent
n/a = grey

PS 1309-8-tm

approx. length x width in cm

m = metric knockouts
o = without knockouts
v = with moulded cable gland

TK PS 2518

254 x 180 mm



Description

Order No.

Packing Qty

Empty enclosure,
base and cover: polystyrene, grey, similar to RAL 7035

IP66

IK07



690V
AC

1000V
DC



	height/mm		
TK PS 2518-9-m	90	105 408 01	8/1
TK PS 2518-11-m	111	105 908 01	6/1
TK PS 2518-16-m	165	104 408 01	4/1
TK PS 2518-9-o	90	110 408 01	8/1
TK PS 2518-11-o	111	110 908 01	6/1
TK PS 2518-16-o	165	109 408 01	4/1

TK PS 2518

254 x 180 mm



Empty enclosure,
base: polystyrene, grey, similar to RAL 7035,
cover: polycarbonate, transparent

IP66

IK07



690V
AC

1000V
DC



	height/mm		
TK PS 2518-9-tm	90	106 008 01	8/1
TK PS 2518-11-tm	111	106 508 01	6/1
TK PS 2518-16-tm	165	107 008 01	4/1
TK PS 2518-9-to	90	111 008 01	8/1
TK PS 2518-11-to	111	111 508 01	6/1
TK PS 2518-16-to	165	112 008 01	4/1

TK PC 2518

254 x 180 mm



Empty enclosure - Industrial Quality -,
base and cover: glass fibre reinforced polycarbonate, grey, similar to RAL 7035

IP66

IK08



690V
AC

1000V
DC



	height/mm		
TK PC 2518-9-m	90	127 408 01	8/1
TK PC 2518-11-m	111	127 908 01	6/1
TK PC 2518-16-m	165	128 408 01	4/1

TK PC 2518

254 x 180 mm



Empty enclosure - Industrial Quality -,
base: glass fibre reinforced polycarbonate, grey, similar to RAL 7035,
cover: polycarbonate, transparent

IP66

IK08



690V
AC

1000V
DC



	height/mm		
TK PC 2518-9-tm	90	137 008 01	8/1
TK PC 2518-11-tm	111	137 508 01	6/1
TK PC 2518-16-tm	165	138 008 01	4/1

Empty enclosures



106 012 01

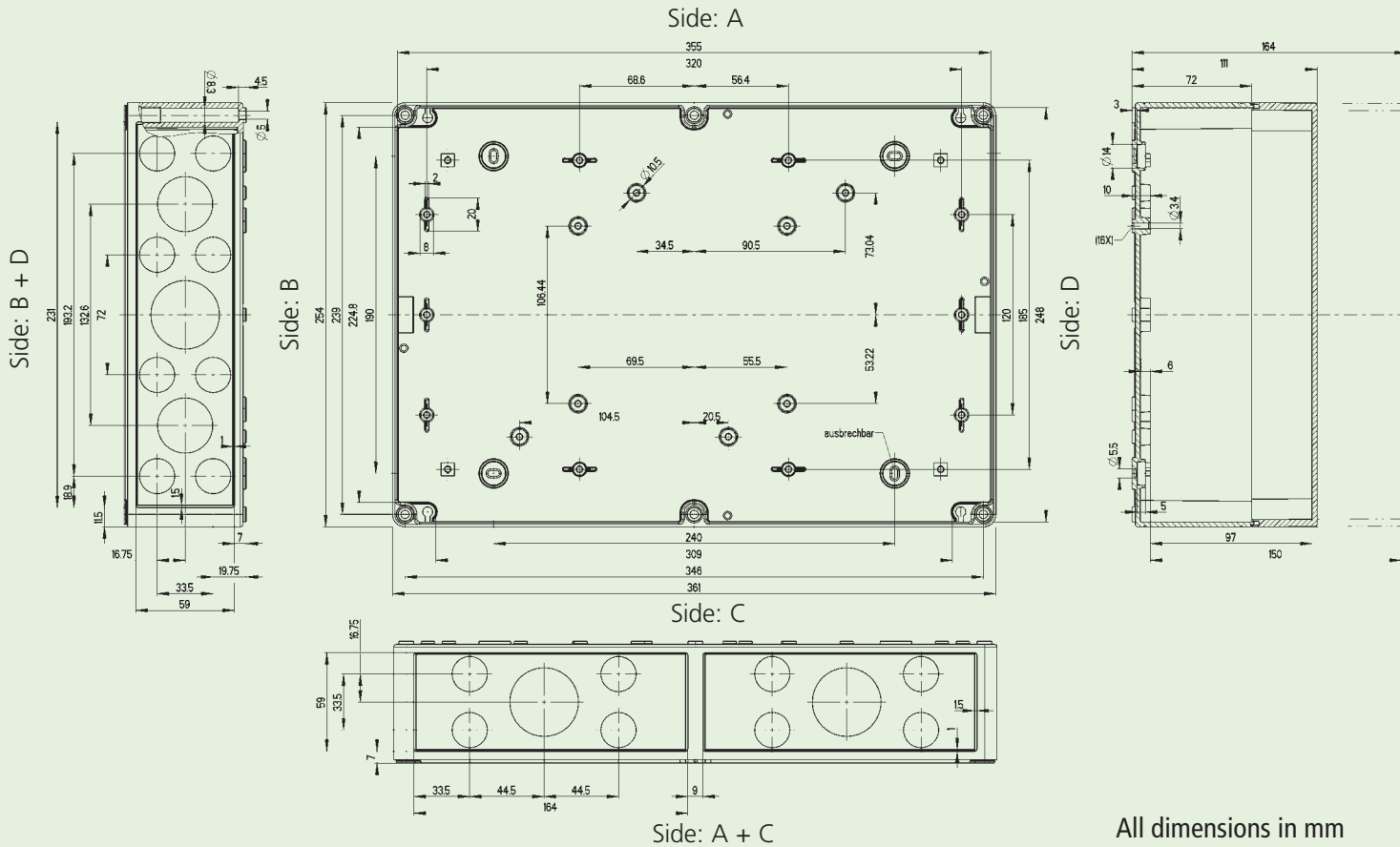


110 912 01



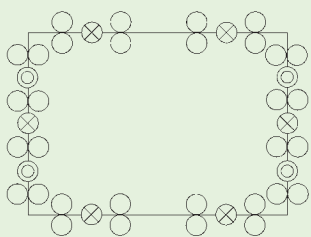
Sample application

Anwendungsbeispiel



All dimensions in mm

Enclosures with knockouts



Metric types

- = M 20
- ⊙ = M 25/32
- ⊗ = M 32/40

Scale drawings available at:

www.spelsberg.com

Enclosures without knockouts

Maximum possible through openings per box side

M	A/C	B/D
12	42	33
16	24	18
20	16	14
25	14	11
32	6	5
40	4	4
50	4	3

Example of TK designation scheme

Material:
PS = Polystyrene
PC = Polycarbonate

approx. height in cm

Cover material:
t = transparent
n/a = grey

PS 1309-8-tm

approx. length x width in cm

m = metric knockouts
o = without knockouts
v = with moulded cable gland

TK PS 3625

360 x 254 mm



Description

Order No.

Packing Qty

Empty enclosure,
base and cover: polystyrene, grey, similar to RAL 7035

IP66

IK07

690V
AC1000V
DC

height/mm

	height/mm		
TK PS 3625-11-m	111	105 412 01	3/1
TK PS 3625-16-m	165	105 912 01	2/1
TK PS 3625-11-o	111	110 412 01	3/1
TK PS 3625-16-o	165	110 912 01	2/1

TK PS 3625

360 x 254 mm



Empty enclosure,
base: polystyrene, grey, similar to RAL 7035,
cover: polycarbonate, transparent

IP66

IK07

690V
AC1000V
DC

height/mm

	height/mm		
TK PS 3625-11-tm	111	106 012 01	3/1
TK PS 3625-16-tm	165	106 512 01	2/1
TK PS 3625-11-to	111	111 012 01	3/1
TK PS 3625-16-to	165	111 512 01	2/1

TK PC 3625

360 x 254 mm



Empty enclosure - Industrial Quality -,
base and cover: glass fibre reinforced polycarbonate, grey, similar to RAL 7035

IP66

IK08

690V
AC1000V
DC

height/mm

	height/mm		
TK PC 3625-11-m	111	127 412 01	3/1
TK PC 3625-16-m	165	127 912 01	2/1

TK PC 3625

360 x 254 mm



Empty enclosure - Industrial Quality -,
base: glass fibre reinforced polycarbonate, grey, similar to RAL 7035,
cover: polycarbonate, transparent

IP66

IK08

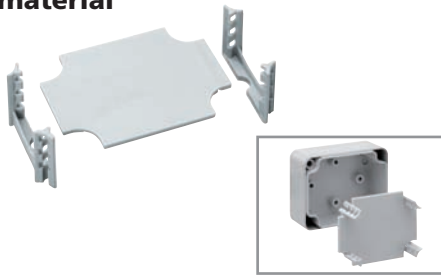
690V
AC1000V
DC

height/mm

	height/mm		
TK PC 3625-11-tm	111	137 012 01	3/1
TK PC 3625-16-tm	165	137 512 01	2/1

Empty enclosures

Mounting plate insulating material



Sample application

Description

Order No.

Packing Qty

Mounting plate made from insulating material with mounting plate bracket for assembly without tools, set of 5 pieces

	Dimensions/mm	for type		
TK MPI-55	46 x 44 x 2.0	TK 55	195 055 01	200/1
TK MPI-75	59 x 44 x 2.0	TK 75	195 075 01	200/1

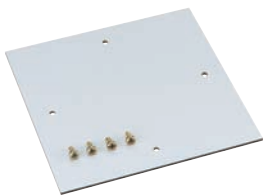
Mounting plate insulating material



Mounting plate made from insulating material incl. fixing screws and spacers

	for type	Dimensions/mm		
TK MPI-77	TK 77	45 x 45 x 2.5	195 001 01	200/1
TK MPI-97	TK 97	74 x 74 x 2.5	195 002 01	250/1
TK MPI-99	TK 99	74 x 74 x 2.5	195 003 01	175/1
TK MPI-1111	TK 1111	90 x 90 x 2.5	195 004 01	150/1
TK MPI-1309	TK 1309	110 x 74 x 2.5	195 009 01	150/1
TK MPI-1313	TK 1313	110 x 110 x 2.5	195 005 01	125/1
TK MPI-1809	TK 1809	160 x 74 x 2.5	195 010 01	150/1

Mounting plate insulating material



Mounting plate made from insulating material, incl. fixing screws

	Dimensions/mm	for type		
TK MPI-1811	150 x 90 x 2.5	TK 1811	195 006 01	250/1
TK MPI-1818	150 x 150 x 2.5	TK 1818	195 007 01	125/1
TK MPI-2518	220 x 150 x 2.5	TK 2518	195 008 01	100/1
TK MPI-3625	331 x 220 x 2.5	TK 3625	195 012 01	50/1

Mounting plate stainless steel



Mounting plate made from stainless steel, incl. fixing screws and spacers

	Dimensions/mm	for type		
TK MPS-77	45 x 45 x 2.0	TK 77	197 001 01	200/1
TK MPS-97	74 x 45 x 2.0	TK 97	197 002 01	250/1
TK MPS-99	74 x 74 x 2.0	TK 99	197 003 01	175/1
TK MPS-1111	90 x 90 x 2.0	TK 1111	197 004 01	150/1
TK MPS-1309	110 x 74 x 2.0	TK 1309	197 009 01	150/1
TK MPS-1313	110 x 110 x 2.0	TK 1313	197 005 01	125/1
TK MPS-1809	160 x 74 x 2.0	TK 1809	197 010 01	150/1

Mounting plate stainless steel



Mounting plate made from stainless steel, incl. fixing screws

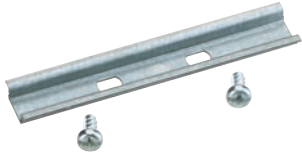
	Dimensions/mm	for type		
TK MPS-1811	150 x 90 x 2.0	TK 1811	197 006 01	250/1
TK MPS-1818	150 x 150 x 2.0	TK 1818	197 007 01	125/1
TK MPS-2518	220 x 150 x 2.0	TK 2518	197 008 01	100/1
TK MPS-3625	331 x 220 x 2.0	TK 3625	197 012 01	50/1

Mounting rail NS 35



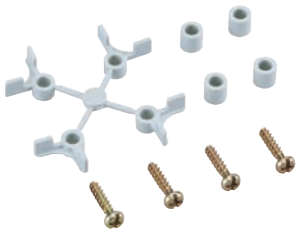
Description	Order No.	Packing Qty
Mounting rail acc. DIN EN 60715, 35 x 7.5, width 35mm, incl. fixing screws		
for type		
NS 35-81	TK 1111/1309/1313/1809/1811	198 081 01
NS 35-106	TK 1309/1313	198 106 01
NS 35-144	TK 1809/1811/1818/2518	198 144 01
NS 35-216	TK 2518/3625	198 216 01
NS 35-336	TK 3625	198 336 01

Mounting rail TS 15



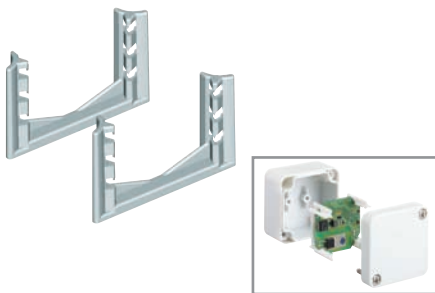
Description	Order No.	Packing Qty
Mounting rail acc. DIN EN 60715, 15 x 5, width 15 mm, incl. fixing screws		
for type		
TS 15-49,5	TK 77/97	197 049 01
TS 15-80	TK 97/99/1111/1309/1313/1809/1811	197 080 01
TS 15-92	TK 1111/1309/1313/1809/1811	197 092 01
TS 15-111	TK 1309/1313	197 111 01
TS 15-154	TK 1809/1811/1818/2518	197 154 01

Spacer kit TK DST



Description	Order No.	Packing Qty
Spacer kit for creating a space between enclosure bottom and conductor – and assembly plate 4 pieces spacing 6 mm, 4 pieces spacing 8 mm, incl. fixing screws		
TK DST	194 100 01	100/1

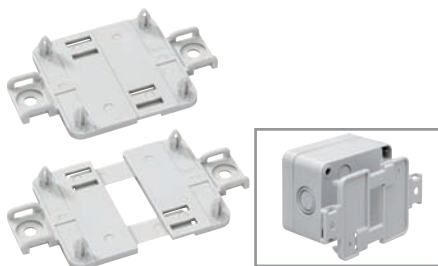
Mounting plate and PCB holder



Sample application

Description	Order No.	Packing Qty
Mounting plate and PCB holder made of plastic, suitable for the assembly without tools in TK 55 and TK 75		
TK MLH-55/75 Set = 25 pairs	194 110 01	500/50

External fixing plate



Sample application

Description	Order No.	Packing Qty
Made of plastic, for TK 55 and TK 75		
TK ABP-55/75 Set = 10 pieces	194 002 01	10/1

External hinge set



Sample application



Description

Order No.

Packing Qty

External hinge set for upgrading the housing cover to hinged door, incl. 2 hinges, fixing screws, cover plugs and drilling template

ASS-kl
external hinge set small

190 002 01

200/1

ASS-gro
External hinge set large

190 005 01

200/1

Padlock kit



Sample application



Padlock kit for upgrading the housing cover to lockable hinged door, incl. padlock, 2 hinges, fixing screws, cover plugs and drilling template

VSG
for TK 1811 onwards and AKL/AKi 1

190 100 01

20/1

External fixing lugs set



Sample application



External fixing lugs made of plastic, for all TK-, RK-housings, except for TK 55 and TK 75

TK ABL
Set = 4 pieces

194 001 01

100/1

Mounting material



Sample application



Mounting material for enclosure made of plastic, for clipping on the standard mounting material of enclosure from TK 77

HBA
Set = 4 pieces

190 001 01

200/1

Partition wall



Sample application



{Trennwand aus Kunststoff}, suitable for the separation of two electric circuits

TK TW-n
for TK 1309-6 and TK 1809-6

196 009 01

100/1

TK TW-h
for TK 1309-8 and TK 1809-8

196 909 01

100/1

Handle



Description	Order No.	Packing Qty
Handle made from plastic, for mobile use of housing, screw spacing 120mm		
TG 2 with self-cutting screws	191 805 01	40/1
TG 1 with screws and nuts made from plastic	191 800 01	30/1

Combi set



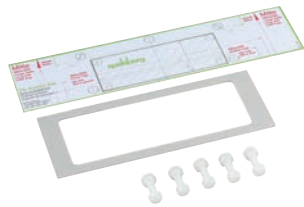
IP66

Combi set for combining enclosures

	f. wall thicknesses/mm	Order No.	Packing Qty
KS M20	2.0 x 3.0	192 020 01	100/1
KS M25	2.0 x 3.0	192 025 01	50/1
KS M32	2.0 x 3.5	192 032 01	50/1
KS M40	2.0 x 3.5	192 040 01	50/1

Combi set

176 x 65 mm



IP66

Combi set for combining housing from TK 1811 (except for flat design), complete with screws and nuts made from plastic, Intermediate sealing and drilling template

TK KS GRO	Order No.	192 018 01	Packing Qty	100/1
-----------	-----------	------------	-------------	-------

screw



Self-cutting screw, for fixing mounting parts in TK 55 and TK 75

TK ES-55/75	Order No.	190 200 01	Packing Qty	30/1
-------------	-----------	------------	-------------	------

Lid screw



Lid screw prevents opening by unauthorised persons, can be sealed additionally, special screwdriver required, Set=12 pieces, from TK 77

	for cover	Color	Order No.	Packing Qty
TK DS-ku/g/T40	flat	grey	190 014 01	1/1
TK DS-ku/sw/T40	flat	black	190 015 01	1/1
TK DS-lg/g/T40	high	grey	190 016 01	1/1
TK DS-lg/sw/T40	high	black	190 017 01	1/1

Special screwdriver



Description	Order No.	Packing Qty
Special screwdriver for actuating the TK lid screw		
TK SDR T40	195 018 01	1/1

Lid screw



Lid screw as additional screw, from TK 77			Order No.	Packing Qty
	for cover	Color		
TK DS-ku/g	flat	grey	190 010 01	1/1
TK DS-ku/sw	flat	black	190 012 01	1/1
TK DS-lg/g	high	grey	190 011 01	1/1
TK DS-lg/sw	high	black	190 013 01	1/1

Hole cutter



Hole cutter			Order No.	Packing Qty
LFR			195 995 01	1/1
through opening: M16-32 drill hole: 16.5-32.5 mm				



Products for photovoltaic installations can be found in our special catalogue.



- 9 basic enclosures of various heights
- High-quality design with a stylish high-gloss appearance
- Grey or transparent covers
- Plastic, choice of ABS (TG ABS) or polycarbonate (TG PC)
- Smooth side walls for added flexibility
- Attachment points in the usual positions

IP66
IP67

IK07



690V
AC

1000V
DC



IP66
IP67

IK08



690V
AC

1000V
DC



Industrial
Quality

Empty enclosures TG ABS / TG PC.



◀ Recess in cover facilitates placement of decals or membrane keypads

▶ Time-saving stainless steel snap lock

▶ Individual choice of attachments

▶ Internal hinges

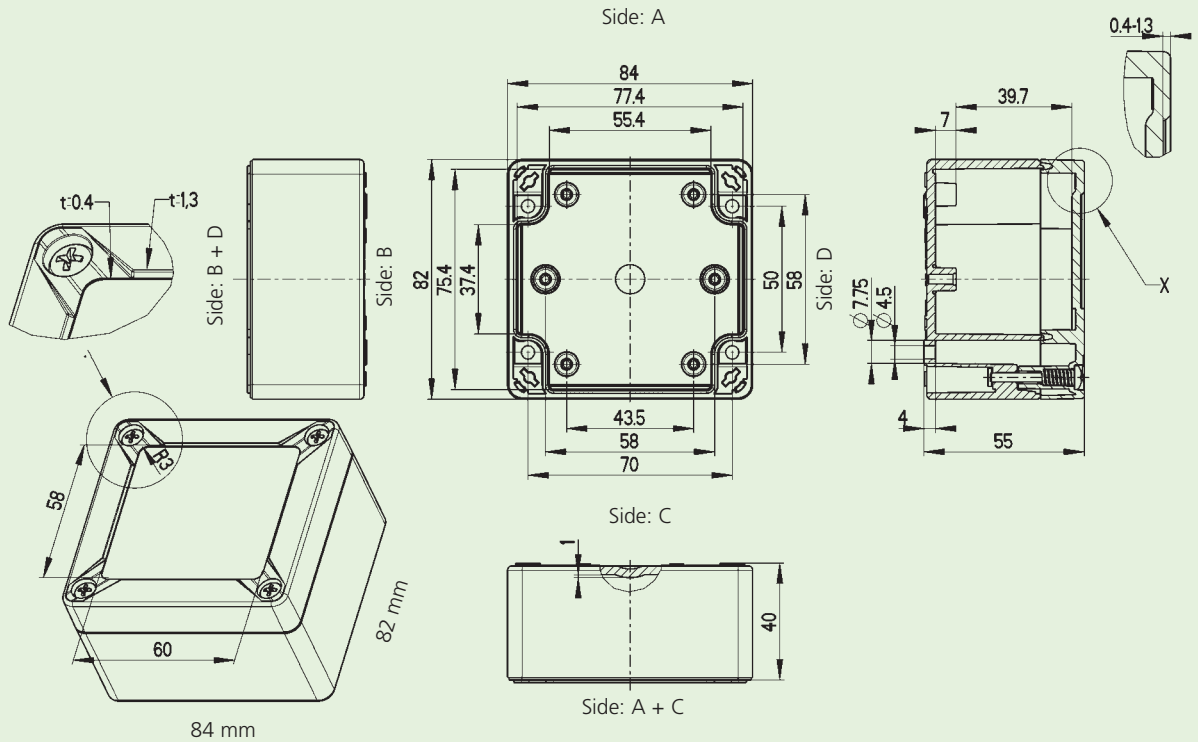




200 403 01



101 003 01



All dimensions in mm

Maximum possible metric through openings per box side

M	A/C	B/D
12	3	2
16	2	1
20	1	1
25	-	-
32	-	-
40	-	-
50	-	-

Scale drawings available at: www.spelsberg.com



Example of TG designation scheme

Material:
ABS*
PC =
Polycarbonate

approx.
height in cm

Cover material:
t =
transparent
n/a =
grey

ABS 1208-8-0







approx. length x width in cm

o =
without knockouts

* acrylonitrile-butadiene-styrene







TG ABS 88-6
84 x 82 mm



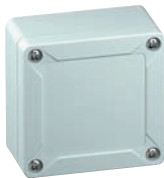
Description	Order No.	Packing Qty
Empty enclosure, base and cover: ABS, grey similar to RAL 7035		
     		
TG ABS 88-6-o	height/mm 55	100 403 01 48/3









TG ABS 88-6
84 x 82 mm



Empty enclosure, base: ABS, grey similar to RAL 7035, cover: polycarbonate, transparent		
     		
TG ABS 88-6-to	height/mm 55	101 003 01 48/3









TG PC 88-6
84 x 82 mm



Empty enclosure - Industrial Quality -, base and cover: polycarbonate, grey similar to RAL 7035		
       		
TG PC 88-6-o	height/mm 55	200 403 01 48/3

TG PC 88-6
84 x 82 mm



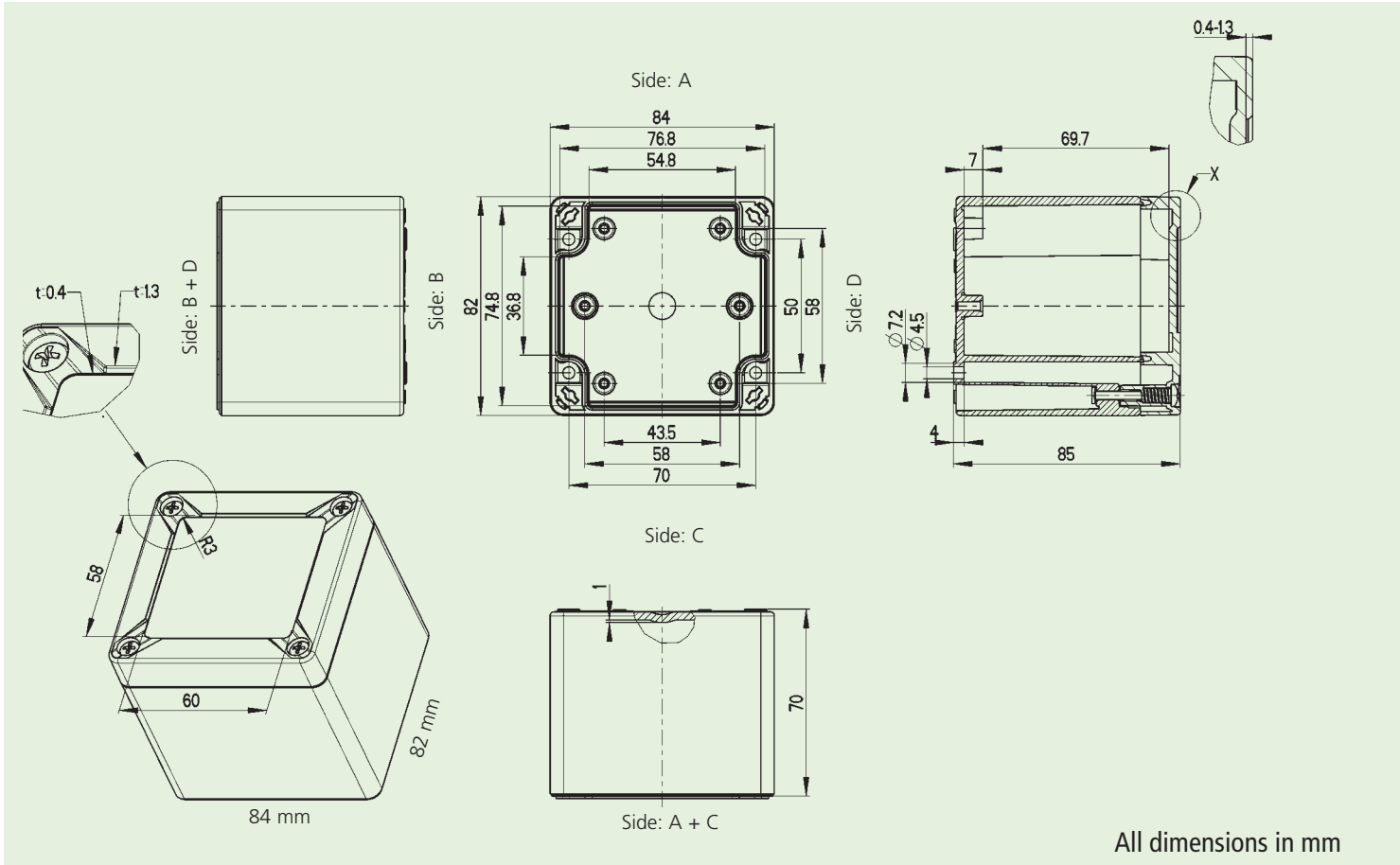
Empty enclosure - Industrial Quality -, base: polycarbonate, grey similar to RAL 7035, cover: polycarbonate, transparent		
       		
TG PC 88-6-to	height/mm 55	201 003 01 48/3



100 903 01



201 503 01



All dimensions in mm

Maximum possible metric through openings per box side

M	A/C	B/D
12	6	4
16	4	2
20	2	2
25	1	1
32	1	-
40	-	-
50	-	-

Scale drawings available at: www.spelsberg.com



Example of TG designation scheme

Material:
ABS*
PC = Polycarbonate

approx. height in cm

Cover material:
t = transparent
n/a = grey

ABS 1208-8-0

approx. length x width in cm

o = without knockouts

* acrylonitrile-butadiene-styrene

TG ABS 88-9
84 x 82 mm



Description

Order No.

Packing Qty

Empty enclosure,
base and cover: ABS, grey similar to RAL 7035



	height/mm		
TG ABS 88-9-o	85	100 903 01	48/3

TG ABS 88-9
84 x 82 mm



Empty enclosure,
base: ABS, grey similar to RAL 7035,
cover: polycarbonate, transparent



	height/mm		
TG ABS 88-9-to	85	101 503 01	48/3

TG PC 88-9
84 x 82 mm



Empty enclosure - Industrial Quality -,
base and cover: polycarbonate, grey similar to RAL 7035



	height/mm		
TG PC 88-9-o	85	200 903 01	48/3

TG PC 88-9
84 x 82 mm



Empty enclosure - Industrial Quality -,
base: polycarbonate, grey similar to RAL 7035,
cover: polycarbonate, transparent



	height/mm		
TG PC 88-9-to	85	201 503 01	48/3

Empty enclosures



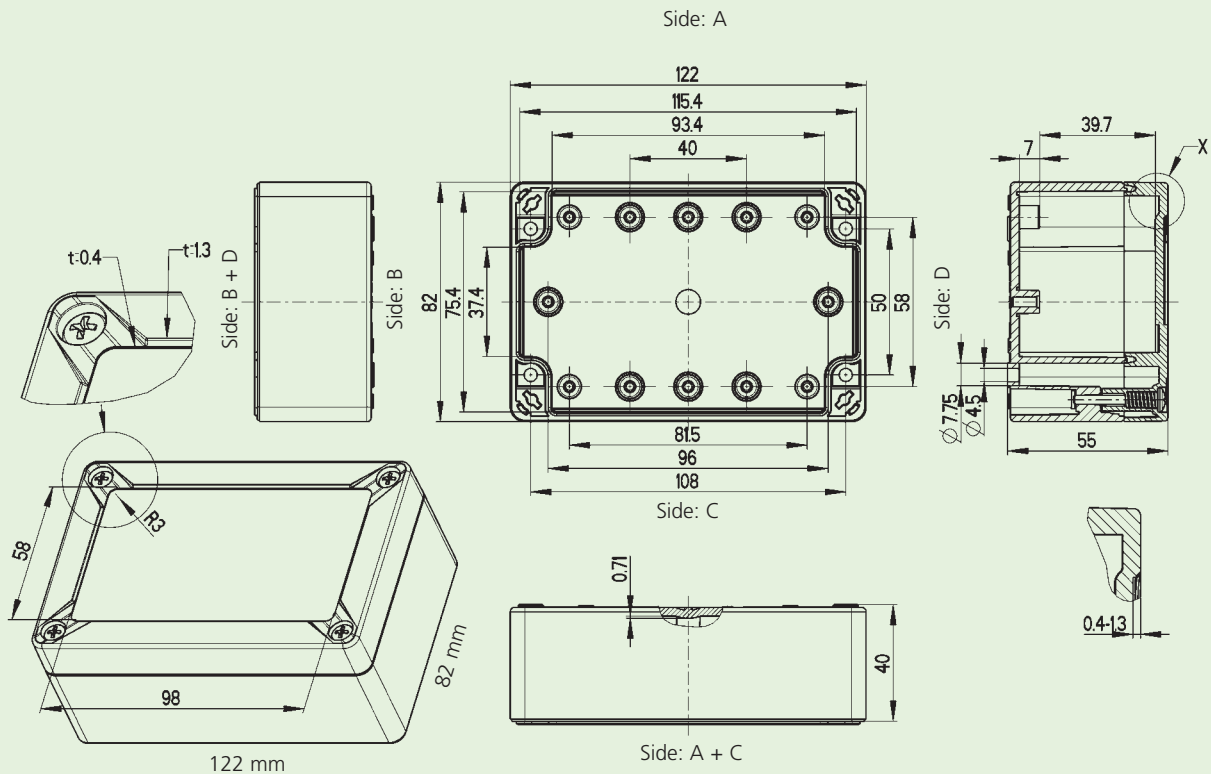
101 004 01



200 404 01



Sample application



All dimensions in mm

Maximum possible metric through openings per box side

M	A/C	B/D
12	5	2
16	3	1
20	2	-
25	2	-
32	-	-
40	-	-
50	-	-

Scale drawings available at: www.spelsberg.com



Example of TG designation scheme

Material:
ABS*
PC =
Polycarbonate

approx.
height in cm

Cover material:
t =
transparent
n/a =
grey

ABS 1208-8-0

approx. length x width in cm

o =
without knockouts

* acrylonitrile-butadiene-styrene

TG ABS 1208-6
122 x 82 mm



Description

Order No.

Packing Qty

Empty enclosure,
base and cover: ABS, grey similar to RAL 7035



	height/mm		
TG ABS 1208-6-o	55	100 404 01	54/3

TG ABS 1208-6
122 x 82 mm



Empty enclosure,
base: ABS, grey similar to RAL 7035,
cover: polycarbonate, transparent



	height/mm		
TG ABS 1208-6-to	55	101 004 01	54/3

TG PC 1208-6
122 x 82 mm



Empty enclosure - Industrial Quality -,
base and cover: polycarbonate, grey similar to RAL 7035



	height/mm		
TG PC 1208-6-o	55	200 404 01	54/3

TG PC 1208-6
122 x 82 mm



Empty enclosure - Industrial Quality -,
base: polycarbonate, grey similar to RAL 7035,
cover: polycarbonate, transparent



	height/mm		
TG PC 1208-6-to	55	201 004 01	54/3

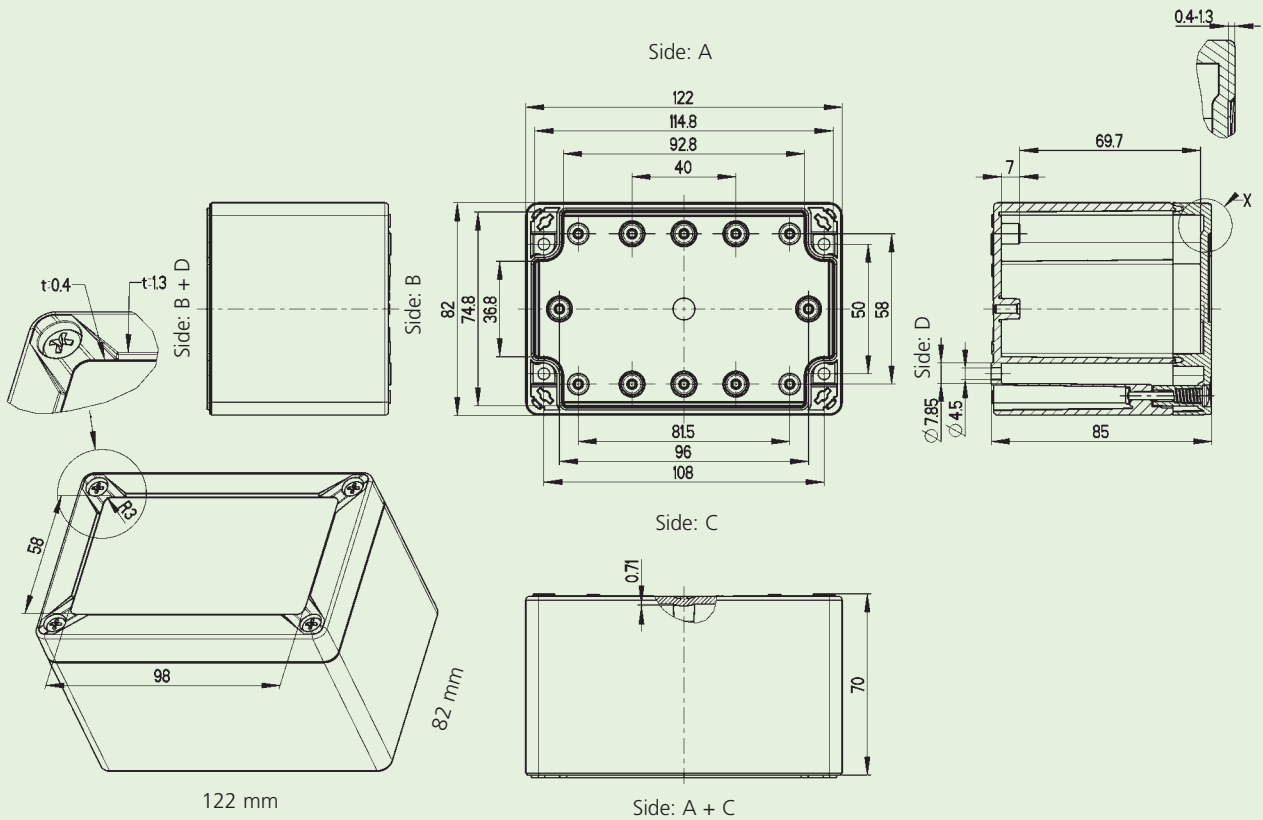
Empty enclosures



100 904 01



201 504 01



All dimensions in mm

Maximum possible metric through openings per box side

M	A/C	B/D
12	12	4
16	6	2
20	6	1
25	3	1
32	2	-
40	1	-
50	-	-

Scale drawings available at: www.spelsberg.com



Example of TG designation scheme

Material:
ABS*
PC =
Polycarbonate

approx.
height in cm

Cover material:
t =
transparent
n/a =
grey

ABS 1208-8-0

approx. length x width in cm

o =
without knockouts

* acrylonitrile-butadiene-styrene

TG ABS 1208-9
122 x 82 mm



Description

Order No.

Packing Qty

Empty enclosure,
base and cover: ABS, grey similar to RAL 7035



	height/mm		
TG ABS 1208-9-o	85	100 904 01	33/3

TG ABS 1208-9
122 x 82 mm



Empty enclosure,
base: ABS, grey similar to RAL 7035,
cover: polycarbonate, transparent



	height/mm		
TG ABS 1208-9-to	85	101 504 01	33/3

TG PC 1208-9
122 x 82 mm



Empty enclosure - Industrial Quality -,
base and cover: polycarbonate, grey similar to RAL 7035



	height/mm		
TG PC 1208-9-o	85	200 904 01	33/3

TG PC 1208-9
122 x 82 mm



Empty enclosure - Industrial Quality -,
base: polycarbonate, grey similar to RAL 7035,
cover: polycarbonate, transparent



	height/mm		
TG PC 1208-9-to	85	201 504 01	33/3

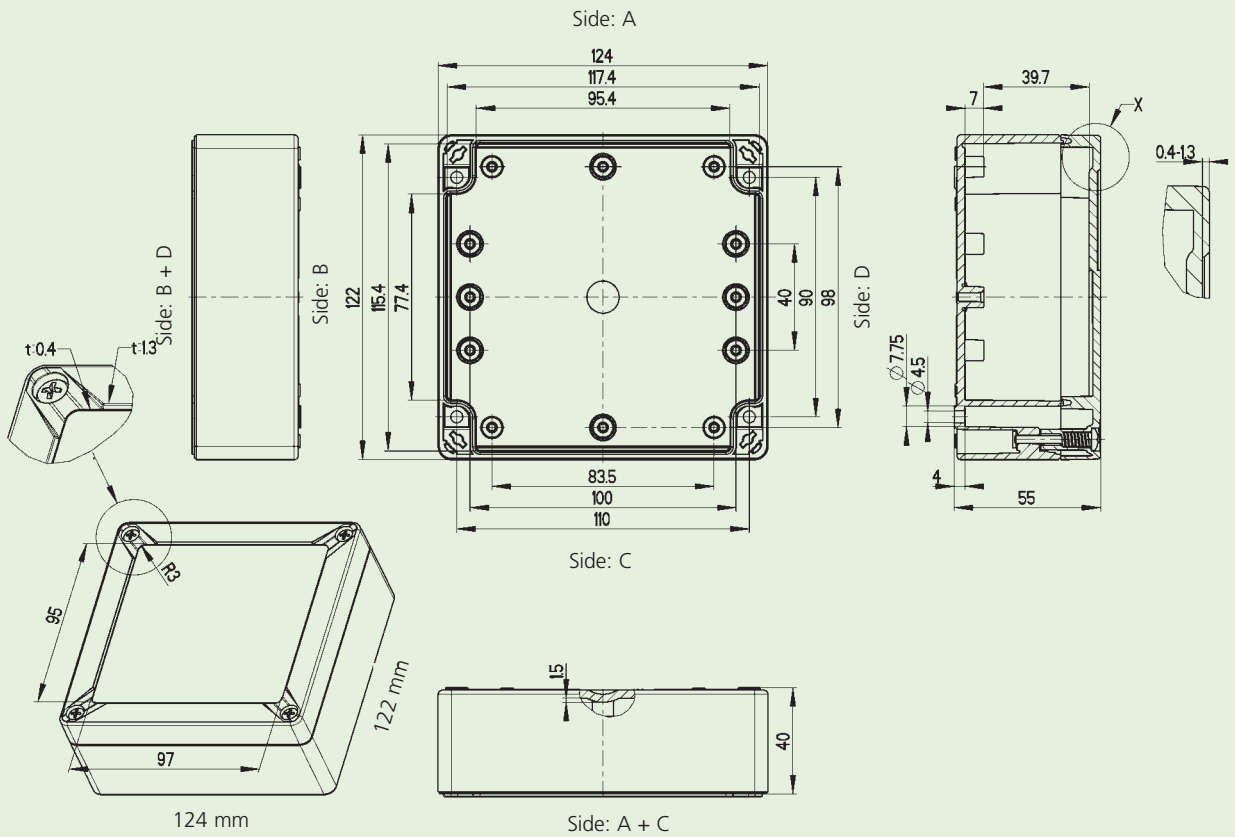
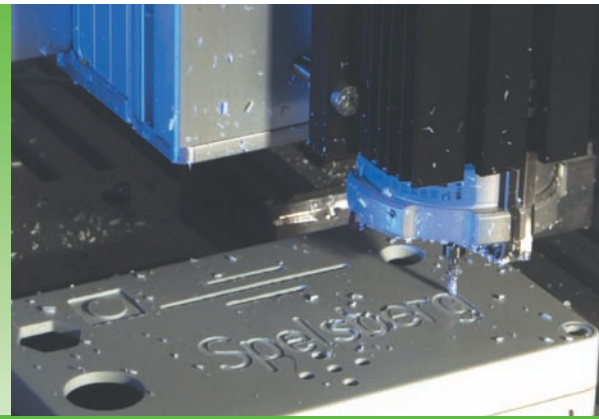
Empty enclosures



200 405 01



101 005 01



All dimensions in mm

Maximum possible metric through openings per box side

M	A/C	B/D
12	6	5
16	3	3
20	3	2
25	2	2
32	-	-
40	-	-
50	-	-

Scale drawings available at: www.spelsberg.com



Example of TG designation scheme

Material:
 ABS*
 PC = Polycarbonate

Cover material:
 t = transparent
 n/a = grey

approx. height in cm

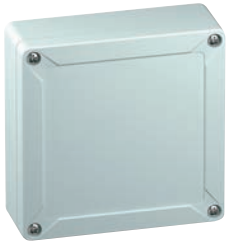
ABS 1208-8-0







approx. length x width in cm

o = without knockouts

* acrylonitrile-butadiene-styrene







TG ABS 1212-6
124 x 122 mm



Description	Order No.	Packing Qty
Empty enclosure, base and cover: ABS, grey similar to RAL 7035		
     		
TG ABS 1212-6-o	height/mm 55	100 405 01 36/2









TG ABS 1212-6
124 x 122 mm



Empty enclosure, base: ABS, grey similar to RAL 7035, cover: polycarbonate, transparent		
     		
TG ABS 1212-6-to	height/mm 55	101 005 01 36/2









TG PC 1212-6
124 x 122 mm



Empty enclosure - Industrial Quality -, base and cover: polycarbonate, grey similar to RAL 7035		
       		
TG PC 1212-6-o	height/mm 55	200 405 01 36/2

TG PC 1212-6
124 x 122 mm

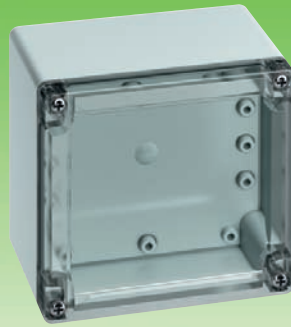


Empty enclosure - Industrial Quality -, base: polycarbonate, grey similar to RAL 7035, cover: polycarbonate, transparent		
       		
TG PC 1212-6-to	height/mm 55	201 005 01 36/2

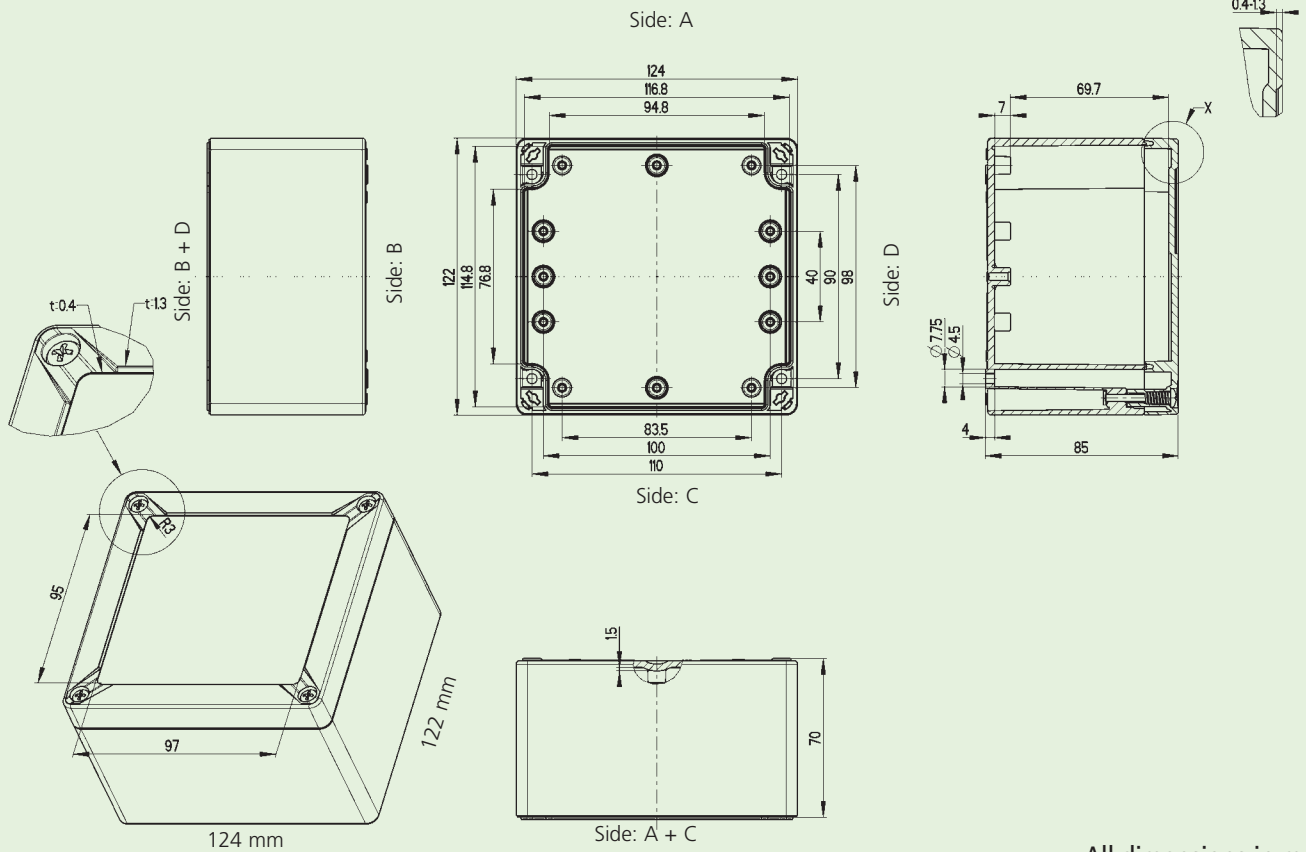
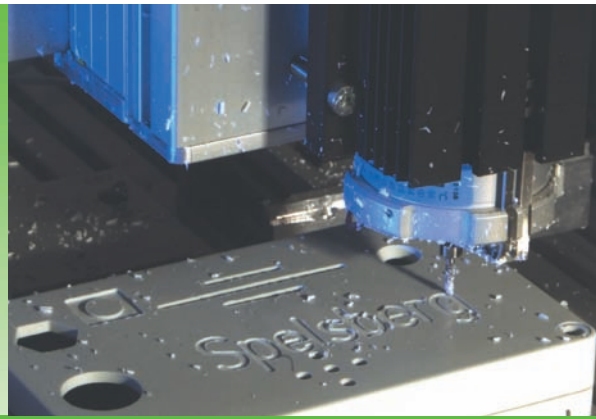
Empty enclosures



200 905 01



101 505 01



All dimensions in mm

Maximum possible metric through openings per box side

M	A/C	B/D
12	12	9
16	6	6
20	6	4
25	3	2
32	2	1
40	1	1
50	1	-

Scale drawings available at: www.spelsberg.com



Example of TG designation scheme

Material:
ABS*
PC =
Polycarbonate

approx.
height in cm

Cover material:
t =
transparent
n/a =
grey

ABS 1208-8-0

approx. length x width in cm

o =
without knockouts

* acrylonitrile-butadiene-styrene

TG ABS 1212-9
124 x 122 mm



Description

Order No.

Packing Qty

Empty enclosure,
base and cover: ABS, grey similar to RAL 7035



	height/mm		
TG ABS 1212-9-o	85	100 905 01	24/2

TG ABS 1212-9
124 x 122 mm



Empty enclosure,
base ABS, grey similar to RAL 7035,
cover: polycarbonate, transparent



	height/mm		
TG ABS 1212-9-to	85	101 505 01	24/2

TG PC 1212-9
124 x 122 mm



Empty enclosure - Industrial Quality -,
base and cover: polycarbonate, grey similar to RAL 7035



	height/mm		
TG PC 1212-9-o	85	200 905 01	24/2

TG PC 1212-9
124 x 122 mm



Empty enclosure - Industrial Quality -,
base: polycarbonate, grey similar to RAL 7035,
cover: polycarbonate, transparent

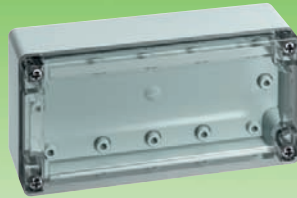


	height/mm		
TG PC 1212-9-to	85	201 505 01	24/2

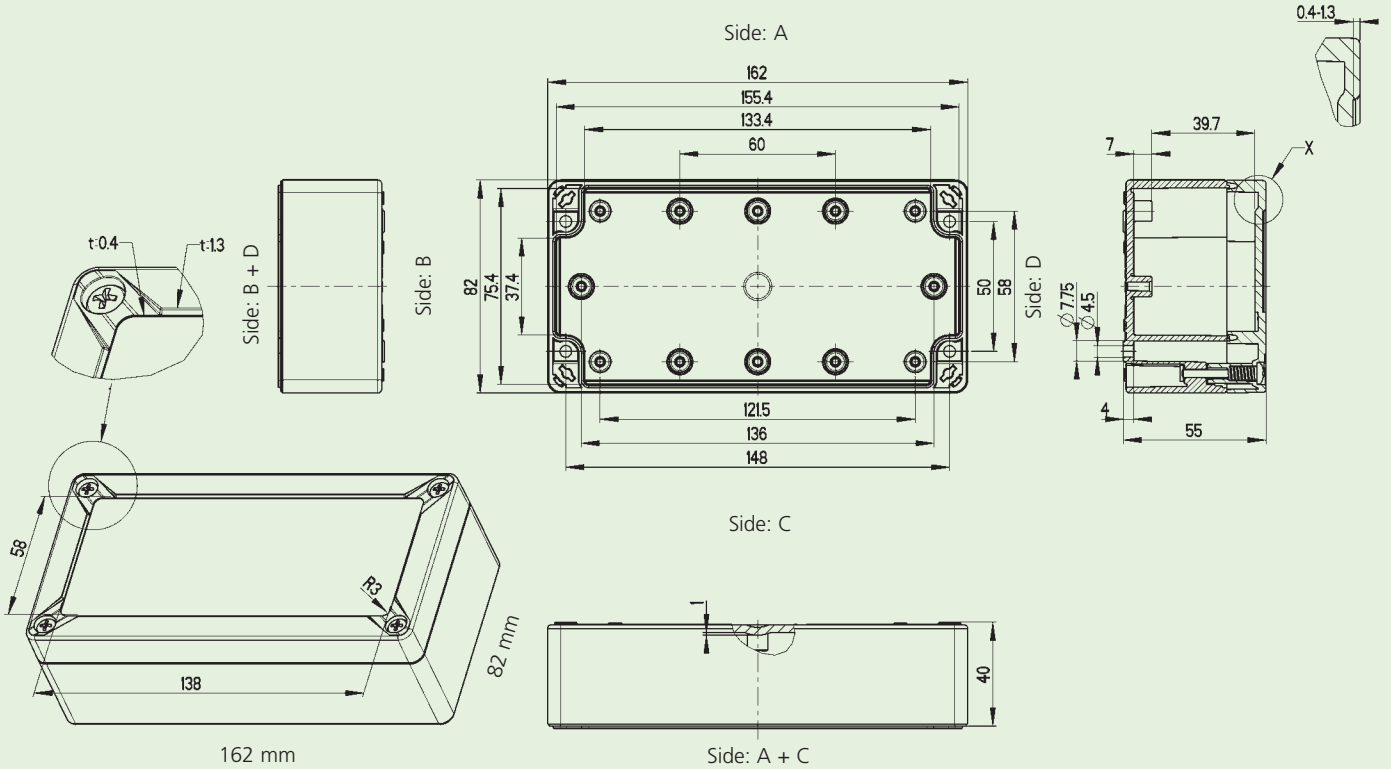
Empty enclosures



100 406 01



101 006 01



All dimensions in mm

Maximum possible metric through openings per box side

M	A/C	B/D
12	9	2
16	5	1
20	4	1
25	-	-
32	-	-
40	-	-
50	-	-

Scale drawings available at: www.spelsberg.com



Example of TG designation scheme

Material:
ABS*
PC =
Polycarbonate

approx.
height in cm

Cover material:
t =
transparent
n/a =
grey

ABS 1208-8-0

approx. length x width in cm

o =
without knockouts

* acrylonitrile-butadiene-styrene

TG ABS 1608-6
162 x 82 mm



Description

Order No.

Packing Qty

Empty enclosure,
base and cover: ABS, grey similar to RAL 7035



	height/mm		
TG ABS 1608-6-o	55	100 406 01	20/2

TG ABS 1608-6
162 x 82 mm



Empty enclosure,
base: ABS, grey similar to RAL 7035,
cover: polycarbonate, transparent



	height/mm		
TG ABS 1608-6-to	55	101 006 01	20/2

TG PC 1608-6
162 x 82 mm



Empty enclosure - Industrial Quality -,
base and cover: polycarbonate, grey similar to RAL 7035



	height/mm		
TG PC 1608-6-o	55	200 406 01	20/2

TG PC 1608-6
162 x 82 mm



Empty enclosure - Industrial Quality -,
base: polycarbonate, grey similar to RAL 7035,
cover: polycarbonate, transparent



	height/mm		
TG PC 1608-6-to	55	201 006 01	20/2

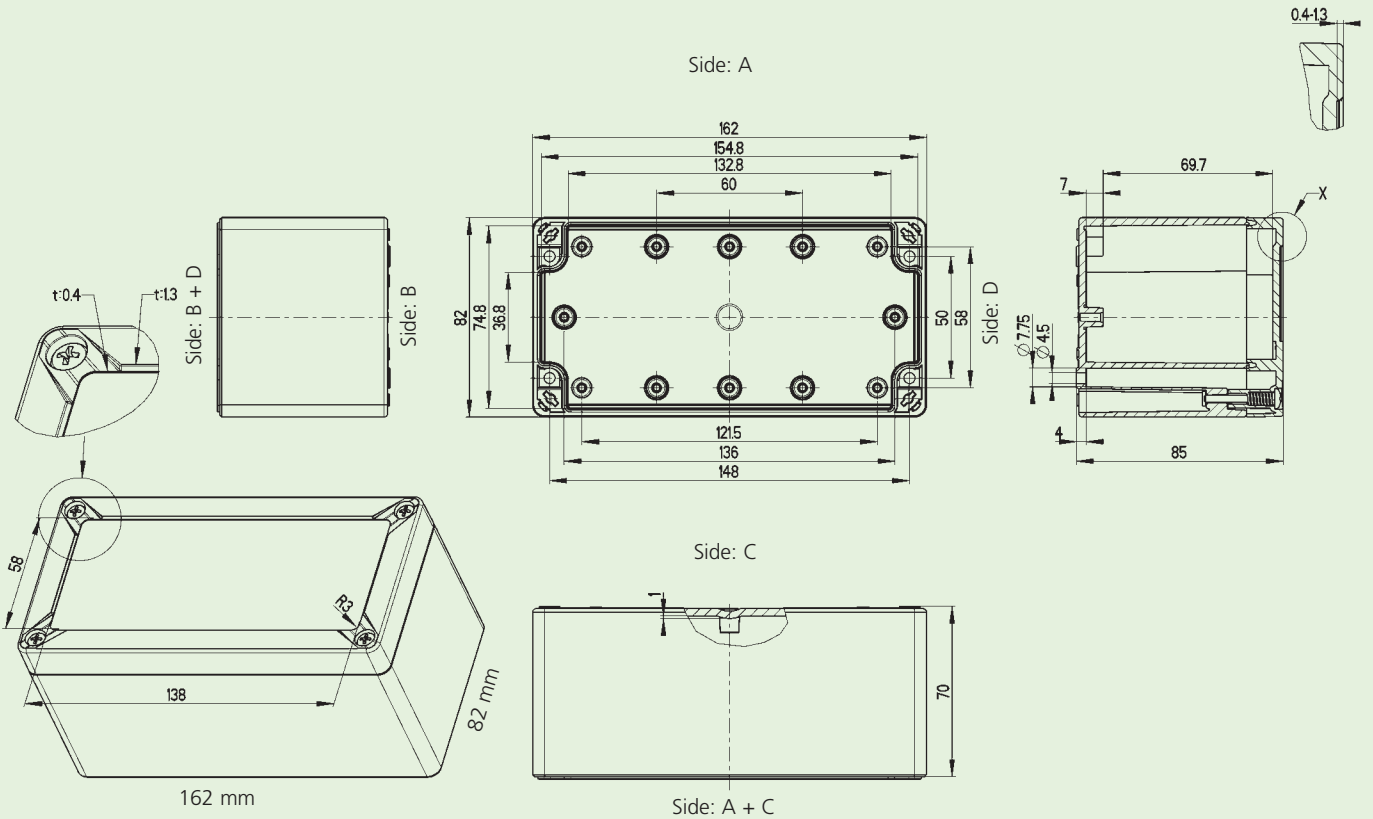
Empty enclosures



200 906 01



101 506 01



All dimensions in mm

Maximum possible metric through openings per box side

M	A/C	B/D
12	18	4
16	10	2
20	8	2
25	4	1
32	3	-
40	2	-
50	2	-

Scale drawings available at: www.spelsberg.com



Example of TG designation scheme

Material:
ABS*
PC = Polycarbonate

approx. height in cm

Cover material:
t = transparent
n/a = grey

ABS 1208-8-0

approx. length x width in cm

o = without knockouts

* acrylonitrile-butadiene-styrene

TG ABS 1608-9
162 x 82 mm



Description

Order No.

Packing Qty

Empty enclosure,
base and cover: ABS, grey similar to RAL 7035



	height/mm		
TG ABS 1608-9-o	85	100 906 01	20/2

TG ABS 1608-9
162 x 82 mm



Empty enclosure,
base: ABS, grey similar to RAL 7035,
cover: polycarbonate, transparent



	height/mm		
TG ABS 1608-9-to	85	101 506 01	20/2

TG PC 1608-9
162 x 82 mm



Empty enclosure - Industrial Quality -,
base and cover: polycarbonate, grey similar to RAL 7035



	height/mm		
TG PC 1608-9-o	85	200 906 01	20/2

TG PC 1608-9
162 x 82 mm



Empty enclosure - Industrial Quality -,
base: polycarbonate, grey similar to RAL 7035,
cover: polycarbonate, transparent



	height/mm		
TG PC 1608-9-to	85	201 506 01	20/2

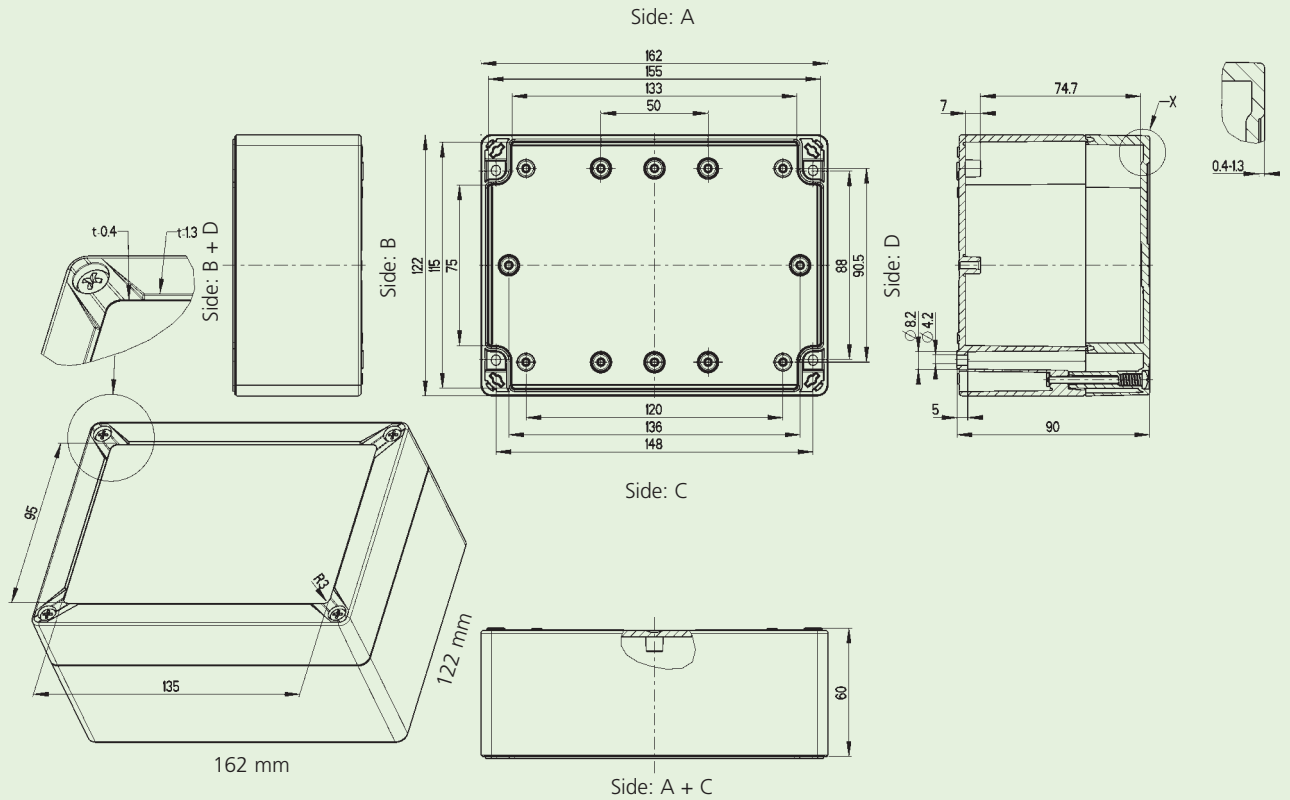
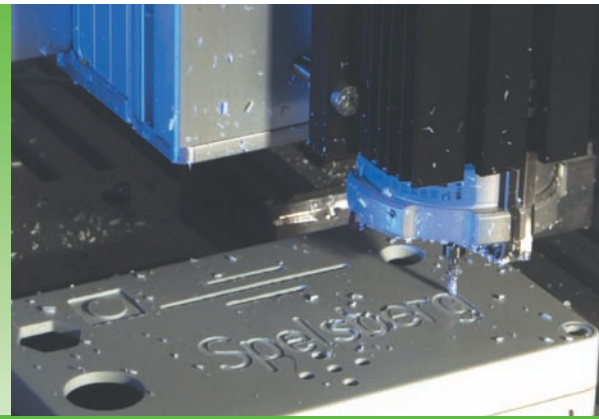
Empty enclosures



200 407 01



101 007 01



All dimensions in mm

Maximum possible metric through openings per box side

M	A/C	B/D
12	12	8
16	10	5
20	4	3
25	3	2
32	2	2
40	-	-
50	-	-

Example of TG designation scheme

Material:
ABS*
PC =
 Polycarbonate

approx.
 height in cm

Cover material:
t =
 transparent
n/a =
 grey

ABS 1208-8-0

approx. length x width in cm

o =
 without knockouts

* acrylonitrile-butadiene-styrene

Scale drawings available
 at: www.spelsberg.com



TG ABS 1612-9
162 x 122 mm



Description

Order No.

Packing Qty

Empty enclosure,
base and cover: ABS, grey similar to RAL 7035



	height/mm		
TG ABS 1612-9-o	90	100 407 01	16/2

TG ABS 1612-9
162 x 122 mm



Empty enclosure,
base: ABS, grey similar to RAL 7035,
cover: polycarbonate, transparent



	height/mm		
TG ABS 1612-9-to	90	101 007 01	16/2

TG PC 1612-9
162 x 122 mm



Empty enclosure - Industrial Quality -,
base and cover: polycarbonate, grey similar to RAL 7035



	height/mm		
TG PC 1612-9-o	90	200 407 01	16/2

TG PC 1612-9
162 x 122 mm



Empty enclosure - Industrial Quality -,
base: polycarbonate, grey similar to RAL 7035,
cover: polycarbonate, transparent



	height/mm		
TG PC 1612-9-to	90	201 007 01	16/2

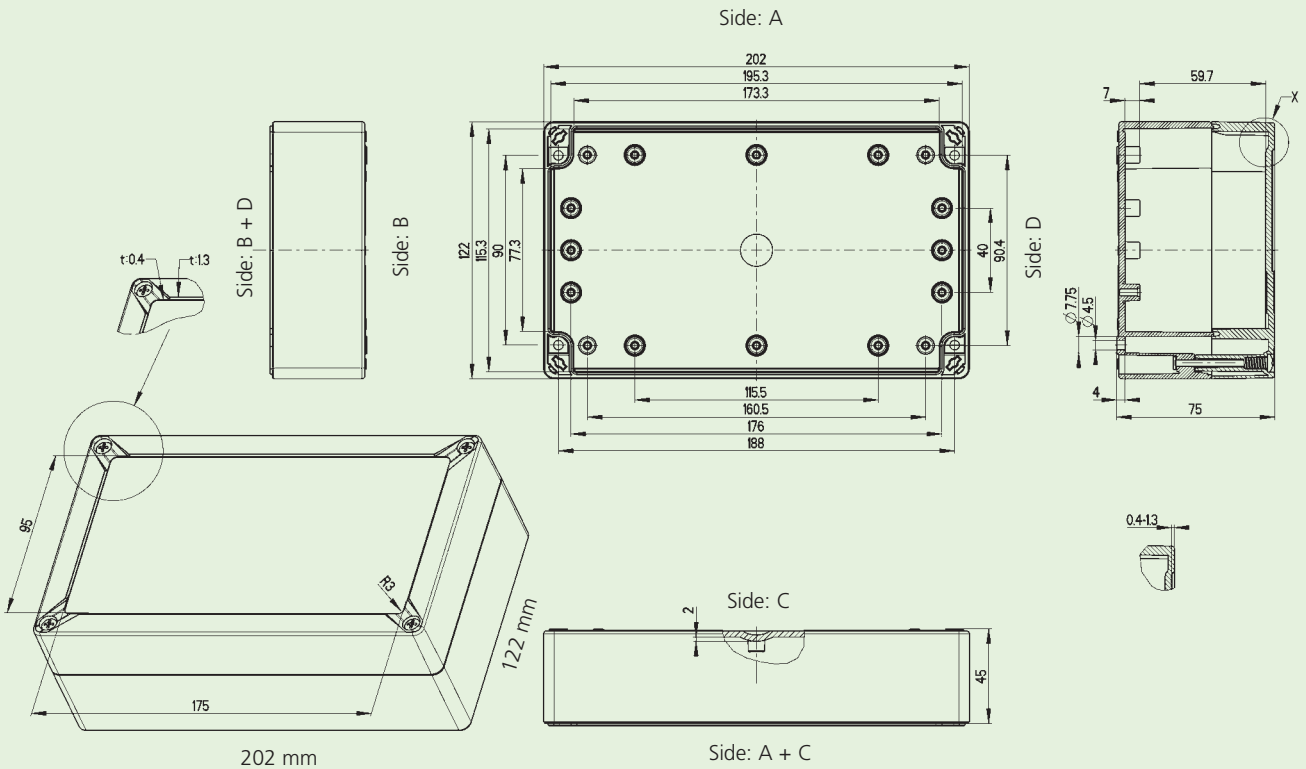
Empty enclosures



200 408 01



101 008 01



All dimensions in mm

Maximum possible metric through openings per box side

M	A/C	B/D
12	16	6
16	8	3
20	5	2
25	4	2
32	-	-
40	-	-
50	-	-

Scale drawings available at: www.spelsberg.com



Example of TG designation scheme

Material:
ABS*
PC =
Polycarbonate

approx.
height in cm

Cover material:
t =
transparent
n/a =
grey

ABS 1208-8-0

approx. length x width in cm

o =
without knockouts

* acrylonitrile-butadiene-styrene

TG ABS 2012-8
202 x 122 mm



Description

Order No.

Packing Qty

Empty enclosure,
base and cover: ABS, grey similar to RAL 7035



	height/mm		
TG ABS 2012-8-o	75	100 408 01	12/2

TG ABS 2012-8
202 x 122 mm



Empty enclosure,
base: ABS, grey similar to RAL 7035,
cover: polycarbonate, transparent



	height/mm		
TG ABS 2012-8-to	75	101 008 01	12/2

TG PC 2012-8
202 x 122 mm



Empty enclosure - Industrial Quality -,
base and cover: polycarbonate, grey similar to RAL 7035



	height/mm		
TG PC 2012-8-o	75	200 408 01	12/2

TG PC 2012-8
202 x 122 mm



Empty enclosure - Industrial Quality -,
base: polycarbonate, grey similar to RAL 7035,
cover: polycarbonate, transparent



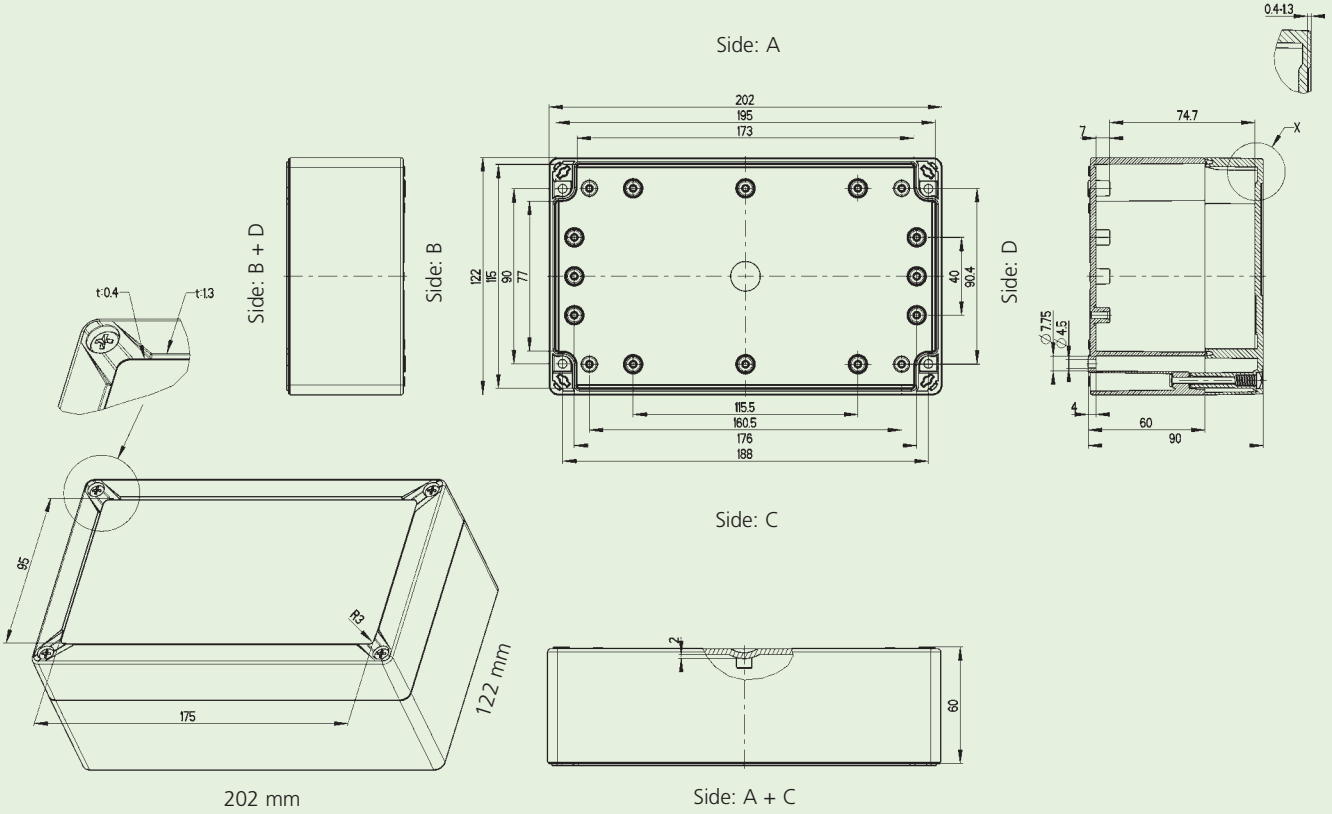
	height/mm		
TG PC 2012-8-to	75	201 008 01	12/2

Empty enclosures



100 908 01

201 508 01



All dimensions in mm

Maximum possible metric through openings per box side

M	A/C	B/D
12	16	6
16	12	3
20	5	3
25	4	2
32	3	1
40	-	-
50	-	-

Example of TG designation scheme

Material:
ABS*
PC =
Polycarbonate

approx.
height in cm

Cover material:
t =
transparent
n/a =
grey

ABS 1208-8-0

approx. length x width in cm

o =
without knockouts

* acrylonitrile-butadiene-styrene

Scale drawings available
at: www.spelsberg.com

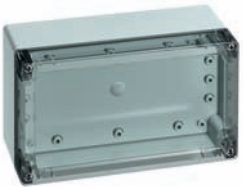


TG ABS 2012-9
202 x 122 mm



Description	Order No.	Packing Qty
Empty enclosure, base and cover: ABS, grey similar to RAL 7035		
TG ABS 2012-9-o	height/mm 90 100 908 01	10/2

TG ABS 2012-9
202 x 122 mm



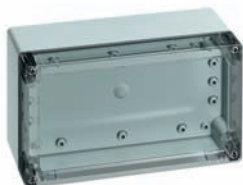
Description	Order No.	Packing Qty
Empty enclosure, base: ABS, grey similar to RAL 7035, cover: polycarbonate, transparent		
TG ABS 2012-9-to	height/mm 90 101 508 01	10/2

TG PC 2012-9
202 x 122 mm



Description	Order No.	Packing Qty
Empty enclosure - Industrial Quality -, base and cover: polycarbonate, grey similar to RAL 7035		
TG PC 2012-9-o	height/mm 90 200 908 01	10/2

TG PC 2012-9
202 x 122 mm



Description	Order No.	Packing Qty
Empty enclosure - Industrial Quality -, base: polycarbonate, grey similar to RAL 7035, cover: polycarbonate, transparent		
TG PC 2012-9-to	height/mm 90 201 508 01	10/2

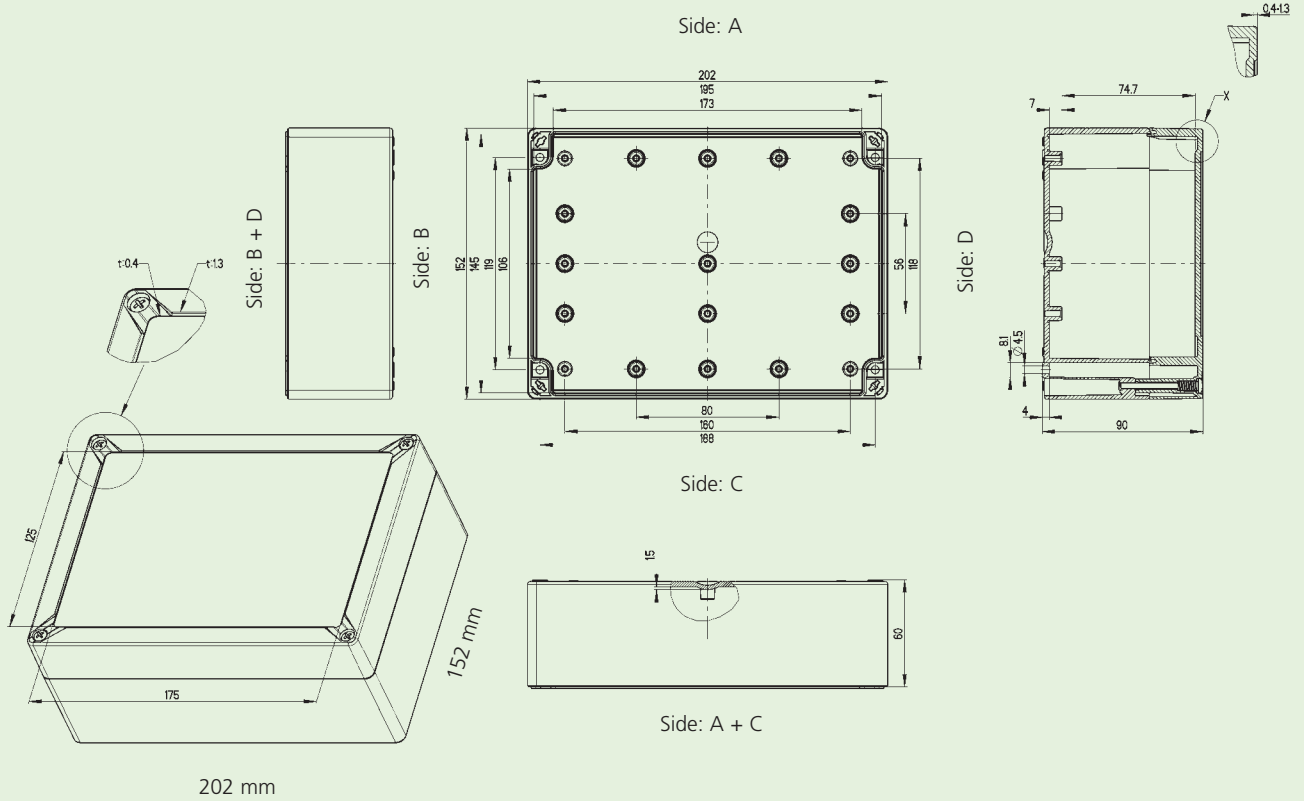
Empty enclosures



100 409 01



101 009 01



All dimensions in mm

Maximum possible metric through openings per box side

M	A/C	B/D
12	16	10
16	12	8
20	5	4
25	4	3
32	3	2
40	-	-
50	-	-

Example of TG designation scheme

Material:
ABS*
PC =
 Polycarbonate

approx.
 height in cm

Cover material:
t =
 transparent
n/a =
 grey

ABS 1208-8-0

approx. length x width in cm

o =
 without knockouts

* acrylonitrile-butadiene-styrene

Scale drawings available
 at: www.spelsberg.com



TG ABS 2015-9
202 x 152 mm



Description

Order No.

Packing Qty

Empty enclosure,
base and cover: ABS, grey similar to RAL 7035



	height/mm		
TG ABS 2015-9-o	90	100 409 01	10/2

TG ABS 2015-9
202 x 152 mm



Empty enclosure,
base: ABS, grey similar to RAL 7035,
cover: polycarbonate, transparent



	height/mm		
TG ABS 2015-9-to	90	101 009 01	10/2

TG PC 2015-9
202 x 152 mm



Empty enclosure - **Industrial Quality** -,
base and cover: polycarbonate, grey similar to RAL 7035



	height/mm		
TG PC 2015-9-o	90	200 409 01	10/2

TG PC 2015-9
202 x 152 mm



Empty enclosure - **Industrial Quality** -,
base: polycarbonate, grey similar to RAL 7035,
cover: polycarbonate, transparent



	height/mm		
TG PC 2015-9-to	90	201 009 01	10/2

Empty enclosures



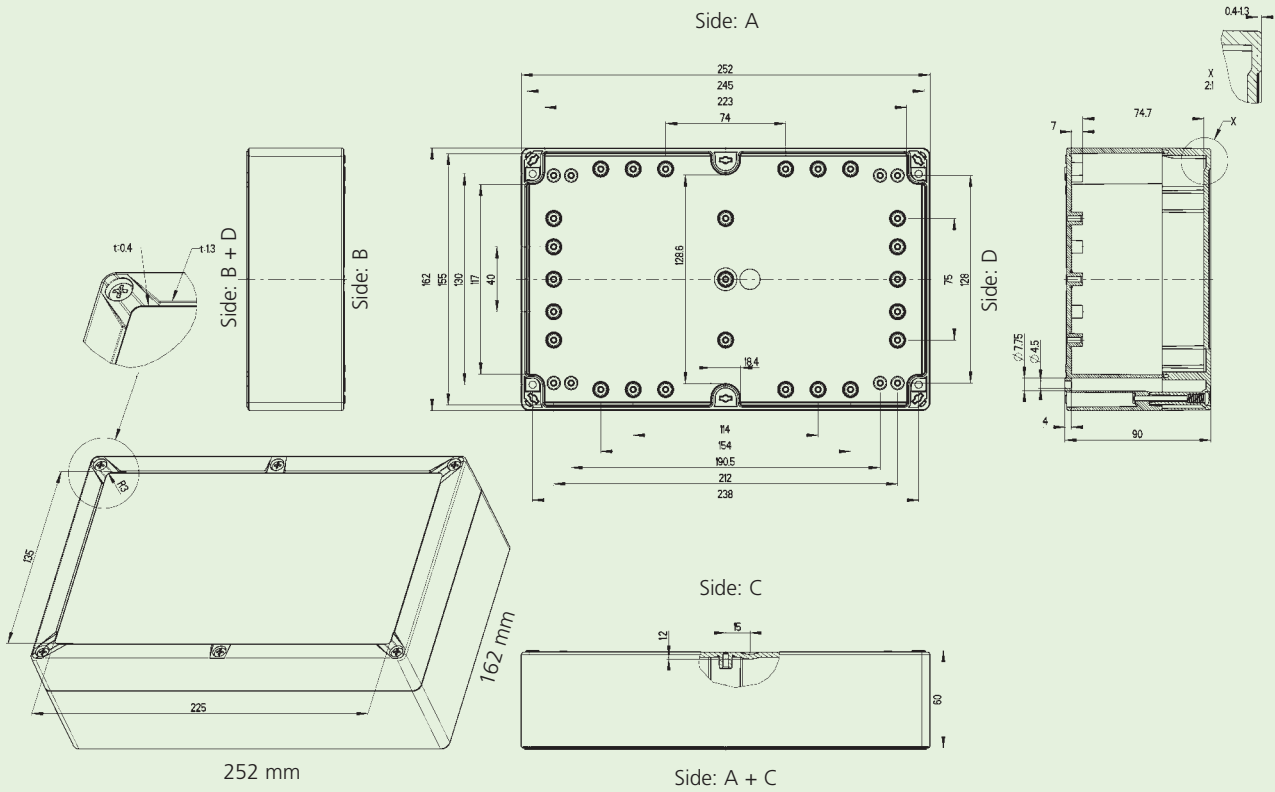
200 412 01



201 012 01



Sample application



All dimensions in mm

Maximum possible metric through openings per box side

M	A/C	B/D
12	20	10
16	12	8
20	6	3
25	4	3
32	4	2
40	2	2
50	-	-

Scale drawings available at: www.spelsberg.com



Example of TG designation scheme

Material:
ABS*
PC = Polycarbonate

approx. height in cm

Cover material:
t = transparent
n/a = grey

ABS 1208-8-0

approx. length x width in cm

o = without knockouts

* acrylonitrile-butadiene-styrene

TG ABS 2516-9
252 x 162 mm



Description

Order No.

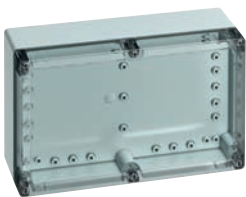
Packing Qty

Empty enclosure,
base and cover: ABS, grey similar to RAL 7035



	height/mm		
TG ABS 2516-9-o	90	100 412 01	8/1

TG ABS 2516-9
252 x 162 mm



Empty enclosure,
base: ABS, grey similar to RAL 7035,
cover: polycarbonate, transparent



	height/mm		
TG ABS 2516-9-to	90	101 012 01	8/1

TG PC 2516-9
252 x 162 mm

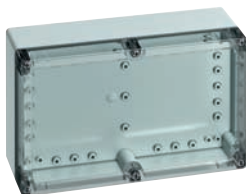


Empty enclosure - Industrial Quality -,
base and cover: polycarbonate, grey similar to RAL 7035



	height/mm		
TG PC 2516-9-o	90	200 412 01	8/1

TG PC 2516-9
252 x 162 mm



Empty enclosure - Industrial Quality -,
base: polycarbonate, grey similar to RAL 7035,
cover: polycarbonate, transparent

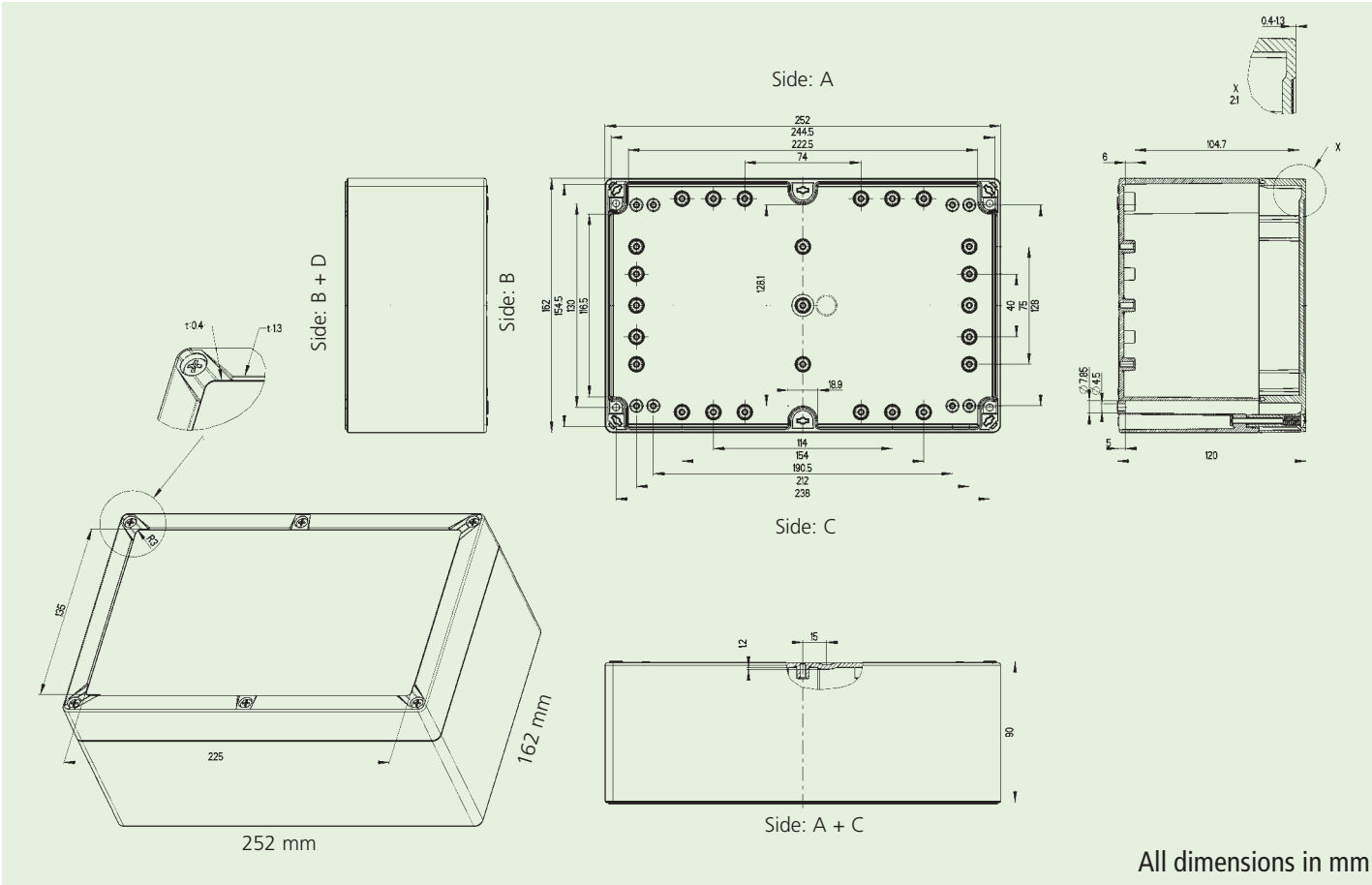


	height/mm		
TG PC 2516-9-to	90	201 012 01	8/1

Empty enclosures



200 912 01 **101 512 01**



Maximum possible metric through openings per box side

M	A/C	B/D
12	40	20
16	18	12
20	12	8
25	8	6
32	6	3
40	2	2
50	2	1

Scale drawings available at: www.spelsberg.com

Example of TG designation scheme

Material:
ABS*
PC =
 Polycarbonate

Cover material:
t =
 transparent
n/a =
 grey

approx. height in cm

ABS 1208-8-0

approx. length x width in cm o = without knockouts

* acrylonitrile-butadiene-styrene

TG ABS 2516-12

252 x 162 mm



Description

Order No.

Packing Qty

Empty enclosure,
base and cover: ABS, grey similar to RAL 7035

IP66
IP67

IK07



690V
AC

1000V
DC



	height/mm		
TG ABS 2516-12-o	120	100 912 01	6/1

TG ABS 2516-12

252 x 162 mm



Empty enclosure,
base: ABS, grey similar to RAL 7035,
cover: polycarbonate, transparent

IP66
IP67

IK07



690V
AC

1000V
DC



	height/mm		
TG ABS 2516-12-to	120	101 512 01	6/1

TG PC 2516-12

252 x 162 mm



Empty enclosure - Industrial Quality -,
base and cover: polycarbonate, grey similar to RAL 7035

IP66
IP67

IK08



690V
AC

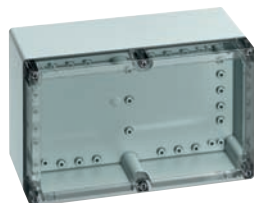
1000V
DC



	height/mm		
TG PC 2516-12-o	120	200 912 01	6/1

TG PC 2516-12

252 x 162 mm



Empty enclosure - Industrial Quality -,
base: polycarbonate, grey similar to RAL 7035,
cover: polycarbonate, transparent

IP66
IP67

IK08



690V
AC

1000V
DC

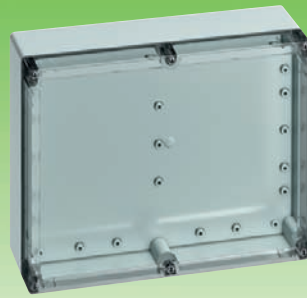


	height/mm		
TG PC 2516-12-to	120	201 512 01	6/1

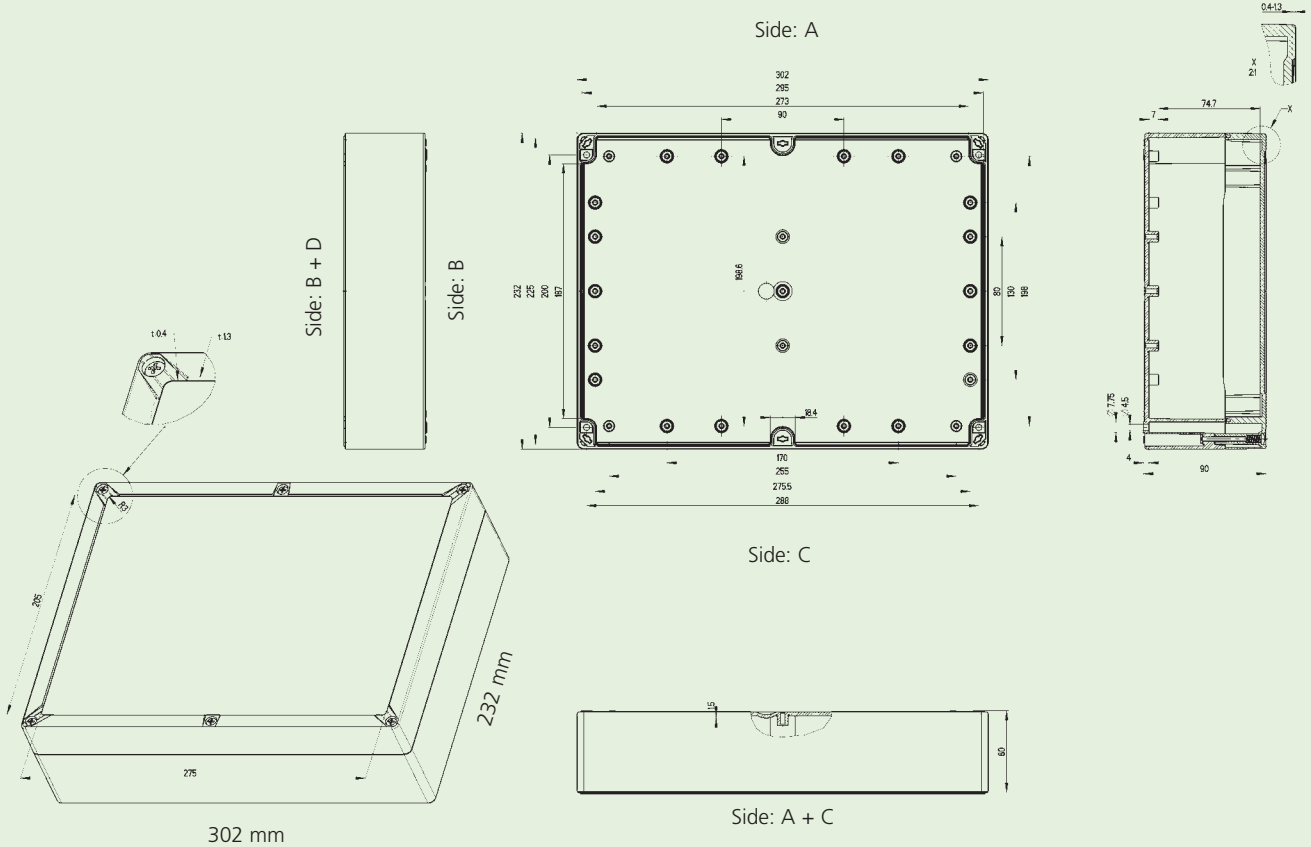
Empty enclosures



100 413 01



101 013 01



All dimensions in mm

Maximum possible metric through openings per box side

M	A/C	B/D
12	24	18
16	16	14
20	8	6
25	6	5
32	4	4
40	4	2
50	-	-

Scale drawings available at: www.spelsberg.com



Example of TG designation scheme

Material:
ABS+
PC =
Polycarbonate

approx.
height in cm

Cover material:
t =
transparent
n/a =
grey

ABS 1208-8-0

approx. length x width in cm

o =
without knockouts

* acrylonitrile-butadiene-styrene

TG ABS 3023-9
302 x 232 mm



Description

Order No.

Packing Qty

Empty enclosure,
base and cover: ABS, grey similar to RAL 7035



	height/mm		
TG ABS 3023-9-o	90	100 413 01	4/1

TG ABS 3023-9
302 x 232 mm



Empty enclosure,
base: ABS, grey similar to RAL 7035,
cover: polycarbonate, transparent



	height/mm		
TG ABS 3023-9-to	90	101 013 01	4/1

TG PC 3023-9
302 x 232 mm



Empty enclosure - Industrial Quality -,
base and cover: polycarbonate, grey similar to RAL 7035



	height/mm		
TG PC 3023-9-o	90	200 413 01	4/1

TG PC 3023-9
302 x 232 mm



Empty enclosure - Industrial Quality -,
base: polycarbonate, grey similar to RAL 7035,
cover: polycarbonate, transparent



	height/mm		
TG PC 3023-9-to	90	201 013 01	4/1

Empty enclosures



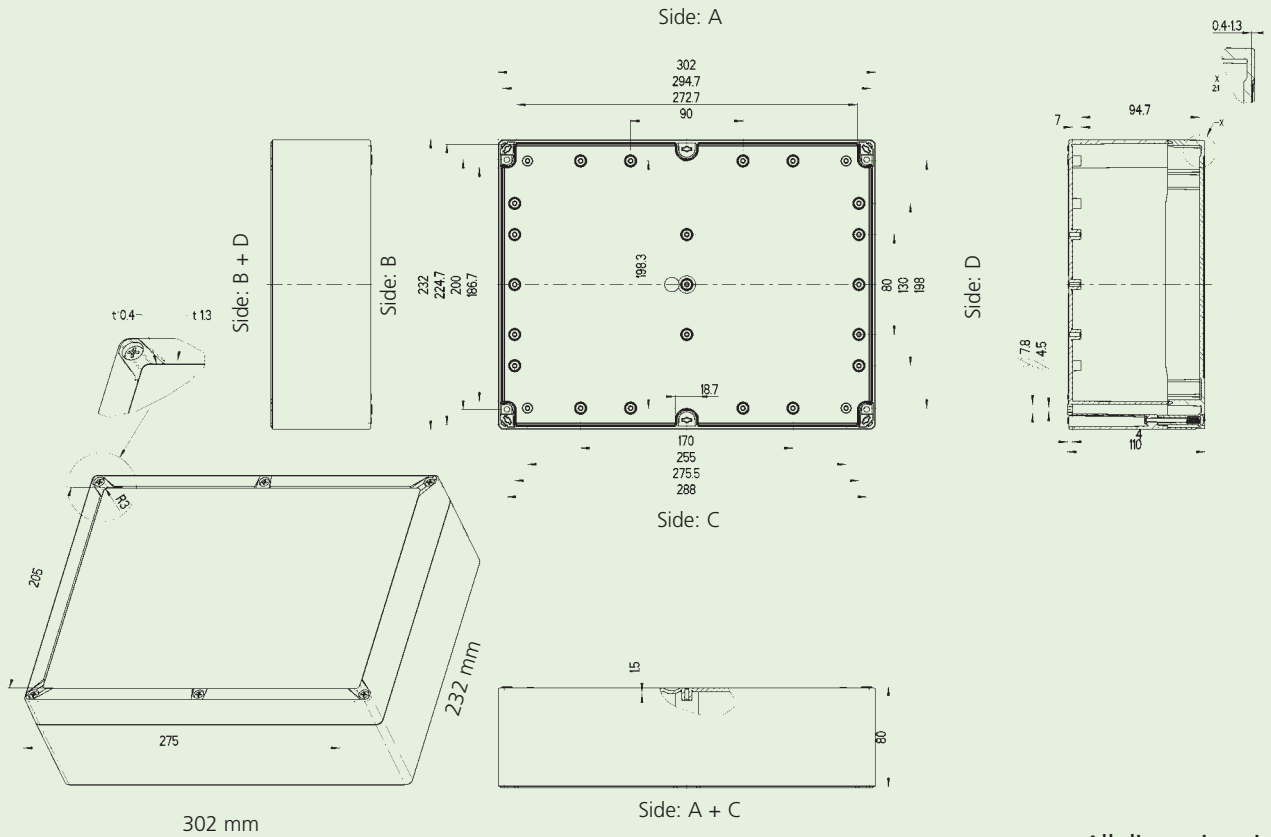
200 913 01



201 513 01



Sample application



All dimensions in mm

Maximum possible metric through openings per box side

M	A/C	B/D
12	36	27
16	26	20
20	16	12
25	12	9
32	6	4
40	4	3
50	2	2

Scale drawings available at: www.spelsberg.com



Example of TG designation scheme

Material:
ABS*
PC =
 Polycarbonate

approx.
 height in cm

Cover material:
t =
 transparent
n/a =
 grey

ABS 1208-8-0

approx. length x width in cm

o =
 without knockouts

* acrylonitrile-butadiene-styrene

TG ABS 3023-11

302 x 232 mm



Description

Order No.

Packing Qty

Empty enclosure,
base and cover: ABS, grey similar to RAL 7035



	height/mm		
TG ABS 3023-11-o	110	100 913 01	3/1

TG ABS 3023-11

302 x 232 mm



Empty enclosure,
base: ABS, grey similar to RAL 7035,
cover: polycarbonate, transparent



	height/mm		
TG ABS 3023-11-to	110	101 513 01	3/1

TG PC 3023-11

302 x 232 mm



Empty enclosure - Industrial Quality -,
base and cover: polycarbonate, grey similar to RAL 7035



	height/mm		
TG PC 3023-11-o	110	200 913 01	3/1

TG PC 3023-11

302 x 232 mm



Empty enclosure - Industrial Quality -,
base: polycarbonate, grey similar to RAL 7035,
cover: polycarbonate, transparent



	height/mm		
TG PC 3023-11-to	110	201 513 01	3/1

Empty enclosures

Mounting plate insulating material



Description

Order No.

Packing Qty

Mounting plate made from insulating material

	Dimensions/mm	for type		
TG MPI-88	73 x 53 x 2.5	TG 88	186 003 01	1/1
TG MPI-1208	91 x 73 x 2.5	TG 1208	186 004 01	1/1
TG MPI-1212	113 x 93 x 2.5	AL 1212	186 005 01	1/1
TG MPI-1608	131 x 73 x 2.5	TG 1608	186 006 01	1/1
TG MPI-1612	131 x 113 x 2.5	TG 1612	186 007 01	1/1
TG MPI-2012	171 x 113 x 2.5	TG 2012	186 008 01	1/1
TG MPI-2015	171 x 143 x 2.5	TG 2015	186 009 01	1/1
TG MPI-2516	220 x 152 x 2.5	TG 2516	186 012 01	1/1
TG MPI-3023	270 x 222 x 2.5	TG 3023	186 013 01	1/1

Mounting plate stainless steel



Mounting plate made from stainless steel

	Dimensions/mm	for type		
TG MPS-88	73 x 53 x 2.0	TG 88	187 003 01	1/1
TG MPS-1208	91 x 73 x 2.0	TG 1208	187 004 01	1/1
TG MPS-1212	113 x 93 x 2.0	TG 1212	187 005 01	1/1
TG MPS-1608	131 x 73 x 2.0	TG 1608	187 006 01	1/1
TG MPS-1612	131 x 113 x 2.0	TG 1612	187 007 01	1/1
TG MPS-2012	171 x 113 x 2.0	TG 2012	187 008 01	1/1
TG MPS-2015	171 x 143 x 2.0	TG 2015	187 009 01	1/1
TG MPS-2516	220 x 152 x 2.0	TG 2516	187 012 01	1/1
TG MPS-3023	270 x 222 x 2.0	TG 3023	187 013 01	1/1

Mounting rail NS 35



Mounting rail according to DIN EN 60715, 35 x 7.5, width 35mm

	for type		
NS 35-66	TG 88	198 068 01	1/1
NS 35-104	TG 1208	198 107 01	1/1
NS 35-108	TG 1212	198 110 01	1/1
NS 35-144/2	TG 1608, TG 1612	198 146 01	1/1
NS 35-184	TG 2012	198 186 01	1/1
NS 35-168	TG 2015	198 170 01	1/1
NS 35-220	TG 2516	198 222 01	1/1
NS 35-283,5	TG 3023	198 285 01	1/1

Mounting rail TS 15



Mounting rail according to DIN EN 60715, 15 x 5, width 15 mm

	for type		
TS 15-66	TG 88	197 069 01	1/1
TS 15-104	TG 1208	197 107 01	1/1
TS 15-108	TG 1212	197 110 01	1/1
TS 15-144	TG 1608, TG 1612	197 146 01	1/1
TS 15-184	TG 2012	197 186 01	1/1
TS 15-168	TG 2015	197 170 01	1/1
TS 15-220	TG 2516	197 222 01	1/1
TS 15-283,5	TG 3023	197 285 01	1/1

Interior hinge set



Sample application



Description	Order No.	Packing Qty
Interior hinge set for retrofitting the housing cover to a hinged door, incl. 2 hinges, fixing screws and drilling template		
TG ISS for TG 1212, TG 1612, TG 2012, TG 2015, TG 2516, TG 3023	182 001 01	1/1

External fixing lugs set



External fixing lugs kit, made of plastic		
TG ABL for all TG enclosures, Set = 4 pieces	182 002 01	1/1

Sealing set



Sample application

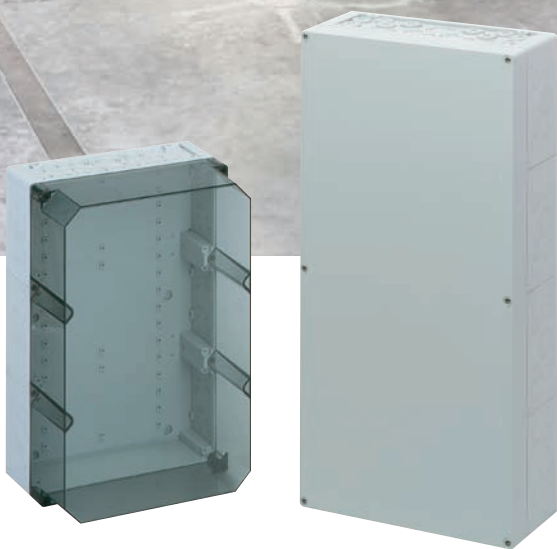


Sealing set		
TG PST1 for TG 88, TG 1208, TG 1212, TG 1608	182 004 01	
TG PST2 for TG 1212, TG 1612, TG 2012, TG 2015, TG 2516, TG 3023	182 005 01	

Hole cutter



Hole cutter		
LFR through opening: M16-32 drill hole: 16.5-32.5 mm	195 995 01	1/1



- 4 basic enclosures up to 600 x 300 mm, with two different cover heights
- Box: choice of polystyrene (AKL) or glass-fibre-reinforced polycarbonate, grey, similar to RAL 7035
- Cover: grey (polystyrene or polycarbonate) or transparent (polycarbonate)
- Side walls with metric knockouts
- Can be combined up to protection class IP 65 with AK / AKi small distributors from AK 14



Industrial Quality

Empty enclosures AKL / AKi.

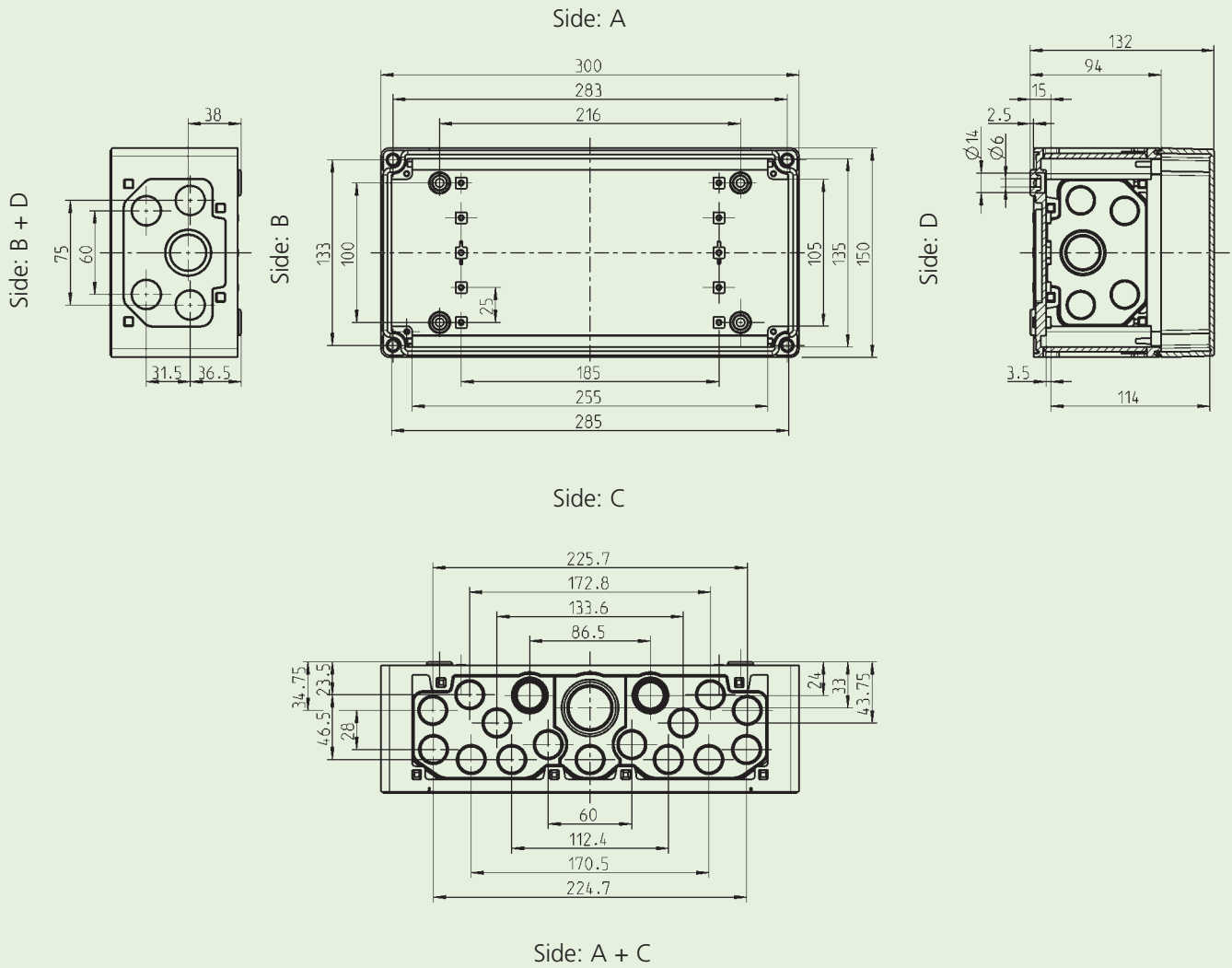


▶ External brackets

▶ External hinges

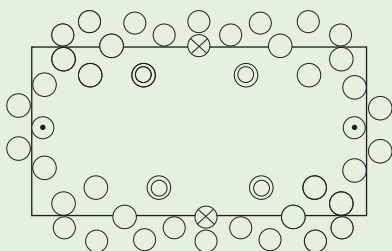
▶ Can be combined





All dimensions in mm

Enclosures with knockouts



Metric types

- = M 20
- = M 20/25
- ⊙ = M 25/32
- ⊗ = M 32/40

Scale drawings available at:
www.spelsberg.com



AKL 1-g
300 x 150 mm



Entries end:
15 x M20
2 x M20/M25
1 x M32/M40
Entries on each side:
4 x M20
1 x M25/M32

Description Order No. Packing Qty
Empty enclosure, with attachment bushes, sealing and insulating plugs, base and cover: polystyrene, grey, similar to RAL 7035



AKL 1-g	height/mm 132	740 401 01	1/1
---------	------------------	------------	-----

AKL 1-t
300 x 150 mm



Entries end:
15 x M20
2 x M20/M25
1 x M32/M40
Entries on each side:
4 x M20
1 x M25/M32

Empty enclosure, with attachment bushes, sealing and insulating plugs, base: polystyrene, grey, similar to RAL 7035, cover: polycarbonate, transparent



AKL 1-t	height/mm 132	744 001 01	1/1
---------	------------------	------------	-----

AKi 1-g
300 x 150 mm



Entries end:
15 x M20
2 x M20/M25
1 x M32/M40
Entries on each side:
4 x M20
1 x M25/M32

Empty enclosure - Industrial Quality -, with attachment bushes, sealing and insulating plugs, base: glass fibre reinforced polycarbonate, grey similar to RAL 7035, cover: polycarbonate, grey similar RAL 7035



AKi 1-g	height/mm 132	741 401 01	1/1
---------	------------------	------------	-----

AKi 1-t
300 x 150 mm



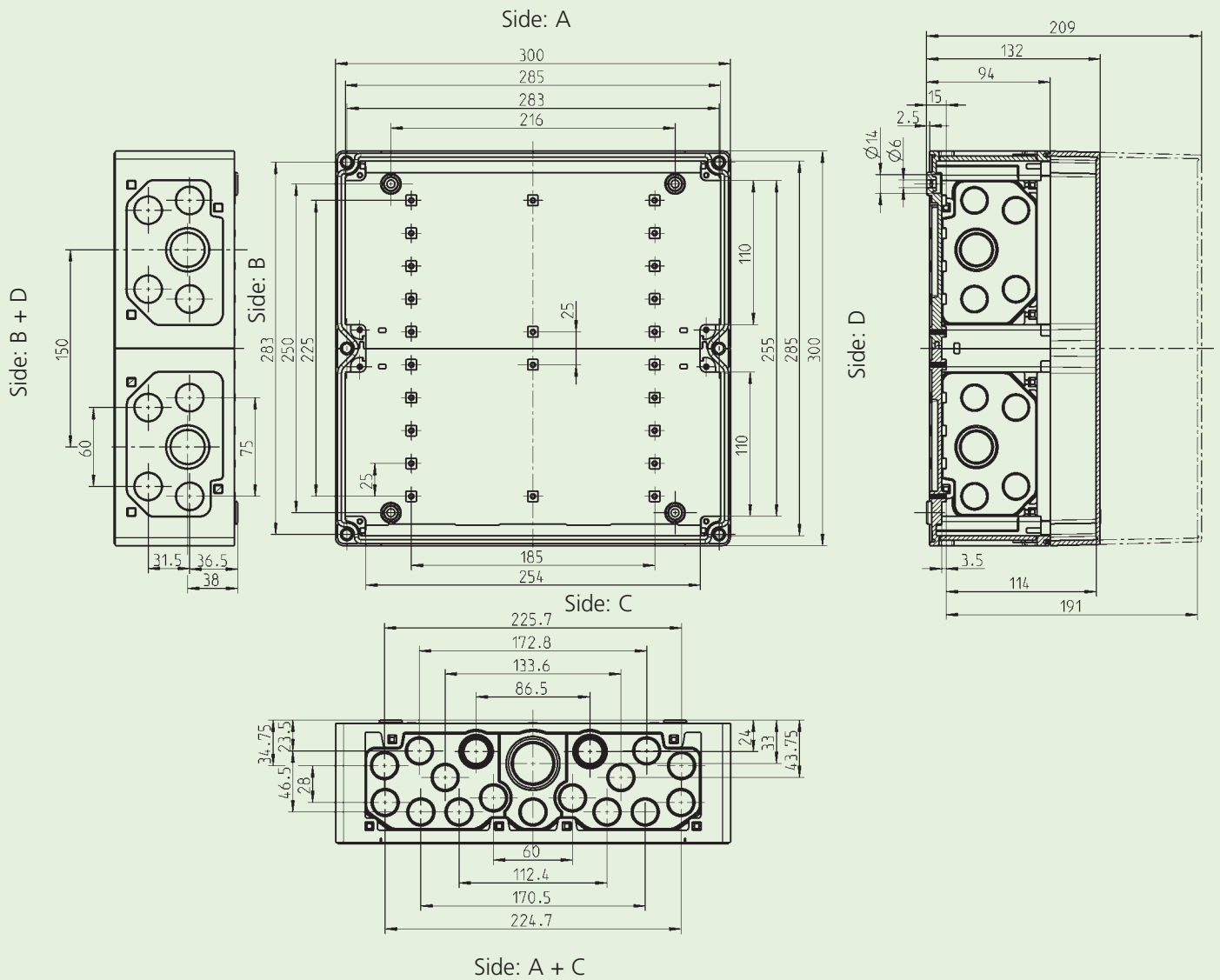
Entries end:
15 x M20
2 x M20/M25
1 x M32/M40
Entries on each side:
4 x M20
1 x M25/M32

Empty enclosure - Industrial Quality -, with attachment bushes, sealing and insulating plugs, base: glass fibre reinforced polycarbonate, grey similar to RAL 7035, cover: polycarbonate, transparent



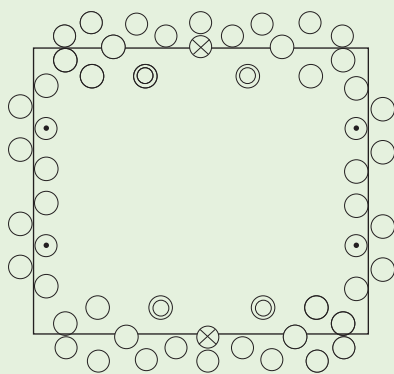
AKi 1-t	height/mm 132	745 001 01	1/1
---------	------------------	------------	-----

Empty enclosures



All dimensions in mm

Enclosures with knockouts



Metric types

- = M 20
- ⊙ = M 20/25
- ⦿ = M 25/32
- ⊗ = M 32/40

Scale drawings available at:
www.spelsberg.com



AKL 2-g
300 x 300 mm



Entries end:
15 x M20
2 x M20/M25
1 x M32/M40
Entries on each side:
8 x M20
2 x M25/M32

Description

Order No.

Packing Qty

Empty enclosure, with attachment bushes, sealing and insulating plugs, base and cover: polystyrene, grey similar to RAL 7035



	height/mm		
AKL 2-g	132	740 402 01	1/1
AKL 2-gh	209	742 902 01	1/1

AKL 2-t
300 x 300 mm



Entries end:
15 x M20
2 x M20/M25
1 x M32/M40
Entries on each side:
8 x M20
2 x M25/M32

Empty enclosure, with attachment bushes, sealing and insulating plugs, base: polystyrene, grey similar to RAL 7035, cover: polycarbonate, transparent



	height/mm		
AKL 2-t	132	744 002 01	1/1
AKL 2-th	209	746 902 01	1/1

AKi 2-g
300 x 300 mm



Entries end:
15 x M20
2 x M20/M25
1 x M32/M40
Entries on each side:
8 x M20
2 x M25/M32

Empty enclosure - Industrial Quality -, with attachment bushes, sealing and insulating plugs, base: glass fibre reinforced polycarbonate, grey similar to RAL 7035, cover: polycarbonate, grey similar RAL 7035



	height/mm		
AKi 2-g	132	741 402 01	1/1
AKi 2-gh	209	743 902 01	1/1

AKi 2-t
300 x 300 mm



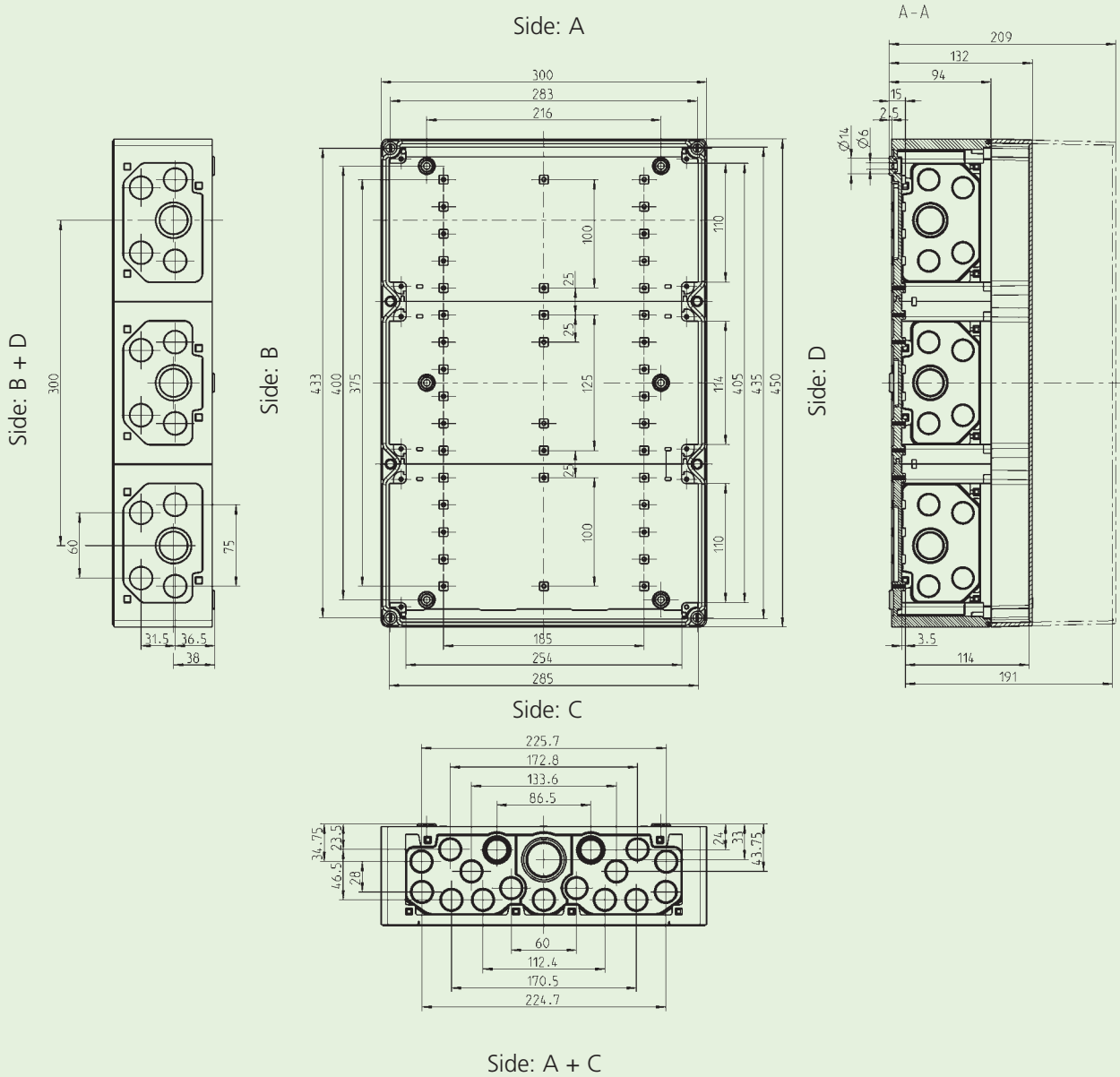
Entries end:
15 x M20
2 x M20/M25
1 x M32/M40
Entries on each side:
8 x M20
2 x M25/M32

Empty enclosure - Industrial Quality -, with attachment bushes, sealing and insulating plugs, base: glass fibre reinforced polycarbonate, grey similar to RAL 7035, cover: polycarbonate, transparent



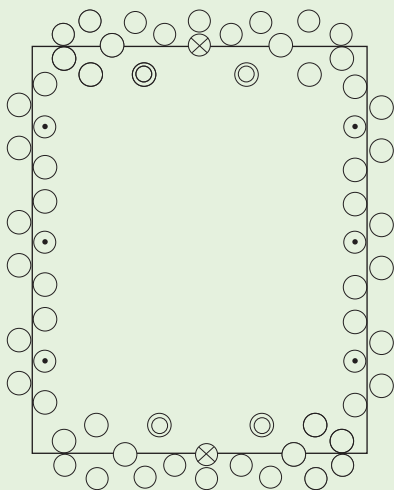
	height/mm		
AKi 2-t	132	745 002 01	1/1
AKi 2-th	209	747 902 01	1/1

Empty enclosures



All dimensions in mm

Enclosures with knockouts



Metric types

- = M 20
- ⊙ = M 20/25
- ⦿ = M 25/32
- ⊗ = M 32/40

Scale drawings available at:
www.spelsberg.com



AKL 3-g
300 x 450 mm



Entries end:
15 x M20
2 x M20/M25
1 x M32/M40
Entries on each side:
12 x M20
3 x M25/M32

Description

Order No.

Packing Qty

Empty enclosure, with attachment bushes, sealing and insulating plugs, base and cover: polystyrene, grey similar to RAL 7035



	height/mm		
AKL 3-g	132	740 403 01	1/1
AKL 3-gh	209	742 903 01	1/1

AKL 3-t
300 x 450 mm



Entries end:
15 x M20
2 x M20/M25
1 x M32/M40
Entries on each side:
12 x M20
3 x M25/M32

Empty enclosure, with attachment bushes, sealing and insulating plugs, base: polystyrene, grey similar to RAL 7035, cover: polycarbonate, transparent



	height/mm		
AKL 3-t	132	744 003 01	1/1
AKL 3-th	209	746 903 01	1/1

AKi 3-g
300 x 450 mm



Entries end:
15 x M20
2 x M20/M25
1 x M32/M40
Entries on each side:
12 x M20
3 x M25/M32

Empty enclosure - Industrial Quality -, with attachment bushes, sealing and insulating plugs, base: glass fibre reinforced polycarbonate, grey similar to RAL 7035, cover: polycarbonate, grey similar RAL 7035



	height/mm		
AKi 3-g	132	741 403 01	1/1
AKi 3-gh	209	743 903 01	1/1

AKi 3-t
300 x 450 mm



Entries end:
15 x M20
2 x M20/M25
1 x M32/M40
Entries on each side:
12 x M20
3 x M25/M32

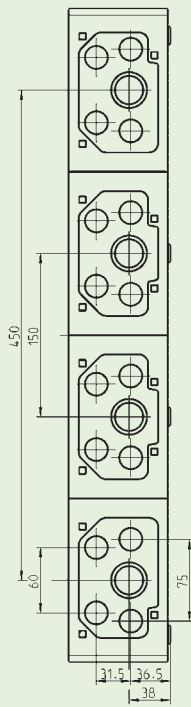
Empty enclosure - Industrial Quality -, with attachment bushes, sealing and insulating plugs, base: glass fibre reinforced polycarbonate, grey similar to RAL 7035, cover: polycarbonate, transparent



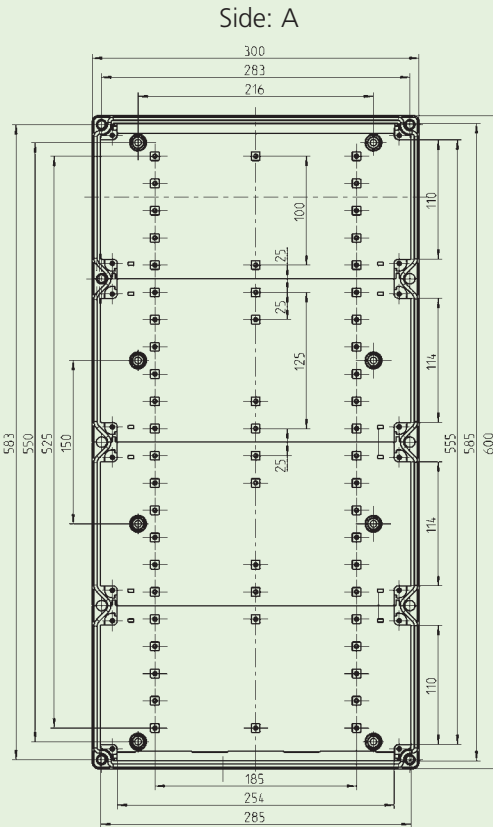
	height/mm		
AKi 3-t	132	745 003 01	1/1
AKi 3-th	209	747 903 01	1/1

Empty enclosures

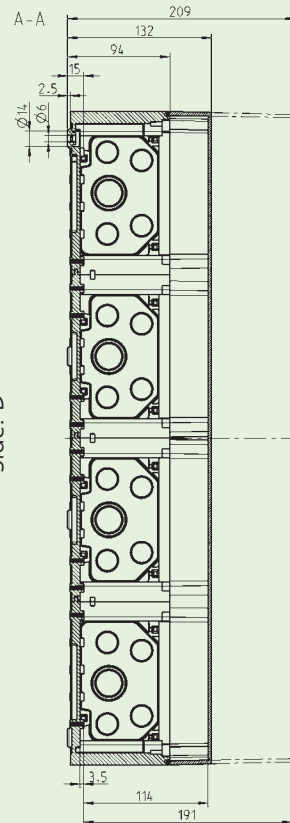
Side: B + D



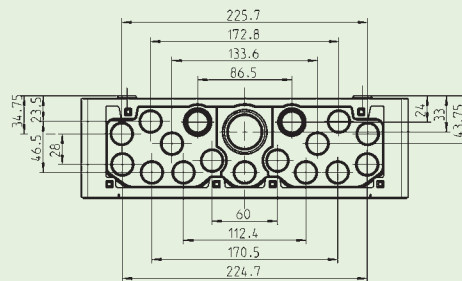
Side: B



Side: D



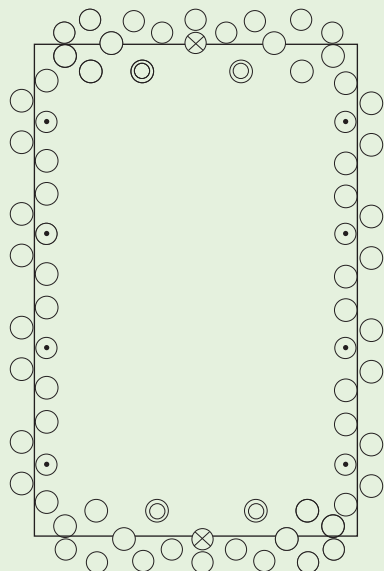
Side: C



Side: A + C

All dimensions in mm

Enclosures with knockouts



Metric types

- = M 20
- ⊙ = M 20/25
- ◐ = M 25/32
- ⊗ = M 32/40

Scale drawings available at:
www.spelsberg.com



AKL 4-g
300 x 600 mm



Entries end:
15 x M20
2 x M20/M25
1 x M32/M40
Entries on each side:
16 x M20
4 x M25/M32

Description Order No. Packing Qty

Empty enclosure, with attachment bushes, sealing and insulating plugs, base and cover: polystyrene, grey similar to RAL 7035



	height/mm		
AKL 4-g	132	740 404 01	1/1
AKL 4-gh	209	742 904 01	1/1

AKL 4-t
300 x 600 mm



Entries end:
15 x M20
2 x M20/M25
1 x M32/M40
Entries on each side:
16 x M20
4 x M25/M32

Empty enclosure, with attachment bushes, sealing and insulating plugs, base: polystyrene, grey similar to RAL 7035, cover: polycarbonate, transparent



	height/mm		
AKL 4-t	132	744 004 01	1/1
AKL 4-th	209	746 904 01	1/1

AKi 4-g
300 x 600 mm



Entries end:
15 x M20
2 x M20/M25
1 x M32/M40
Entries on each side:
16 x M20
4 x M25/M32

Empty enclosure - Industrial Quality -, with attachment bushes, sealing and insulating plugs, base: glass fibre reinforced polycarbonate, grey similar to RAL 7035, cover: polycarbonate, grey similar RAL 7035



	height/mm		
AKi 4-g	132	741 404 01	1/1
AKi 4-gh	209	743 904 01	1/1

AKi 4-t
300 x 600 mm



Entries end:
15 x M20
2 x M20/M25
1 x M32/M40
Entries on each side:
16 x M20
4 x M25/M32

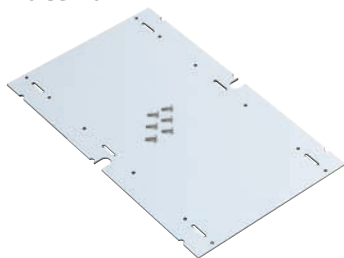
Empty enclosure - Industrial Quality -, with attachment bushes, sealing and insulating plugs, base: glass fibre reinforced polycarbonate, grey similar to RAL 7035, cover: polycarbonate, transparent



	height/mm		
AKi 4-t	132	745 004 01	1/1
AKi 4-th	209	747 904 01	1/1

Empty enclosures

Mounting plate insulating material



Description

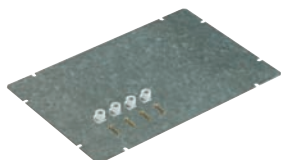
Order No.

Packing Qty

Made of insulation material for fitting in equipment with floor fixing, including fixing screws

	Dimensions/mm	for type		
AK MPI 1	240 x 112 x 4.0	AKL/AKi 1-4	795 001 01	1/1
AK MPI 2	240 x 240 x 4.0	AKL/AKi 2-4	795 002 01	1/1
AK MPI 3	240 x 390 x 4.0	AKL/AKi 3+4	795 003 01	1/1
AK MPI 4	240 x 540 x 4.0	AKL/AKi 4	795 004 01	1/1

Mounting plate stainless steel



Mounting plate made from stainless steel, incl. fixing screws

	Dimensions/mm	for type		
AK MPS 2	240 x 240 x 2	AKL/AKi 2-4	795 012 01	1/1
AK MPS 3	240 x 390 x 2.0	AKL/AKi 3+4	795 013 01	1/1
AK MPS 4	240 x 540 x 2.0	AKL/AKi 4	795 014 01	1/1

Mounting rail NS 35



Mounting rail according to DIN EN 60715, 35 x 7.5, width 35mm

AK NS35-250 from 300 x 300 mm, length 250 mm, including spacers			562 735 01	1/1
NS35-216/3 universal floor fixing, length 216 mm, with fixing screws			795 030 01	1/1
AK NS35-406 universal floor fixing, incl. fixing screws, length 406 mm			795 045 01	1/1
AK NS35-556 universal floor fixing, incl. fixing screws, length 556 mm			795 060 01	1/1

Support NS



For standard rails according DIN EN 50 022-35 x 7.5,
Set = 10 pieces

	height/mm			
TR NS35-20	20		795 020 01	1/1
TR NS35-64	64		795 064 01	1/1
TR NS35-91	91		795 091 01	1/1

Carrier NS fixing screws



fixing screws for 1 TR NS35-xx,
set of 30 pieces

SR NS35 Fixing screws for 1 support set TR NS35/xx			795 413 01	1/1
---	--	--	------------	-----

KF 12 Hinged window
228 x 80 mm



IP65

Description	Order No.	Packing Qty
For fitting to housing cover, for maximum 12 modules at 17.5 mm, with transparent hinged window, frame with sealing both sides, with drilling template and fixing screws		
KF 12	567 412 01	15/1

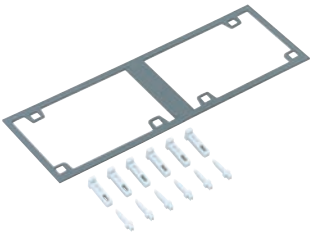
SF 12 Inspection window
228 x 80 mm



IP65

Description	Order No.	Packing Qty
For fitting to housing cover, transparent viewing window, with drilling template and fixing screws		
SF 12	568 012 01	10/1

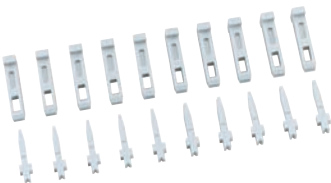
AK Combi set



IP65

Description	Order No.	Packing Qty
Combi set, for horizontal or vertical combination of all AK enclosures from 300 x 150 mm, complete with wedge connectors and intermediate sealing for 150 and 300 mm enclosure sides, each 300 mm = 1 combi set		
AK KS-IP65	791 001 01	100/1

AK Combi set



IP30

Description	Order No.	Packing Qty
Combi set without intermediate enclosure seal, for horizontal or vertical combination of all AK enclosures from 300 x 150 mm, 1 set = 10 wedge connectors		
AK KS-IP30	591 100 01	1/1

Combi connector



IP54

Description	Order No.	Packing Qty
Combination connector, for connecting enclosures, thermo plastic		
KST M32	f. wall thicknesses/mm 1.5 - 4.0	193 032 01
		150/1

Empty enclosures

Combi set



IP66

Description

Order No.

Packing Qty

Combi set, for side connection of housings with metric openings, complete with lock nuts and intermediate wall seal inserts

	f. wall thicknesses/mm		
KS M20	2.0 x 3.0	192 020 01	100/1
KS M25	2.0 x 3.0	192 025 01	50/1
KS M32	2.0 x 3.5	192 032 01	50/1
KS M40	2.0 x 3.5	192 040 01	50/1

AK Mounting flange



Enclosure wall, for installation in the components of the AK enclosure system for 300 mm wide end walls, with cable covers as standard

AK ABF 1 with pre-embossing, 2 x M32 / M40 / M50, 1 x M40 / M50 / M63	795 048 01	1/1
AK ABF 2 smooth for self-drilling	795 050 01	1/1

AKi Mounting flange



Enclosure wall, for attachment to components of AKi housing system to 300 mm wide sides, with cable covers as standard

AKi ABF 1 with pre-embossing, 2 x M32 / M40 / M50, 1 x M40 / M50 / M63	796 051 01	1/1
AKi ABF 2 smooth for self-drilling	796 050 01	1/1

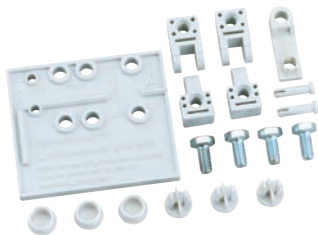
Padlock kit



Padlock kit for upgrading the housing cover to lockable hinged door, incl. padlock, 2 hinges, fixing screws, cover plugs and drilling template

VSG for TK 1811 onwards and AKL/AKi 1	190 100 01	20/1
--	------------	------

Hinge set



External hinge set for upgrading the housing cover to hinged door, incl. 2 hinges, fixing screws, cover plugs and drilling template

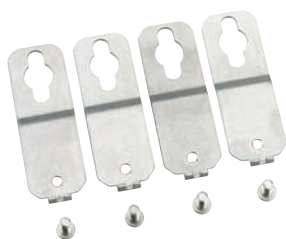
ASS-gro External hinge set large	190 005 01	200/1
-------------------------------------	------------	-------

Partition wall



Description	Order No.	Packing Qty
For installation in the components of the AK enclosure system, 300 mm wide, universal application for various enclosure heights, grey		
AK TW	797 910 01	1/1

AK External attachment set

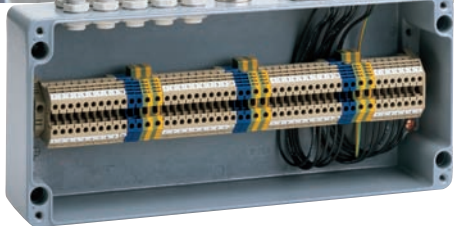
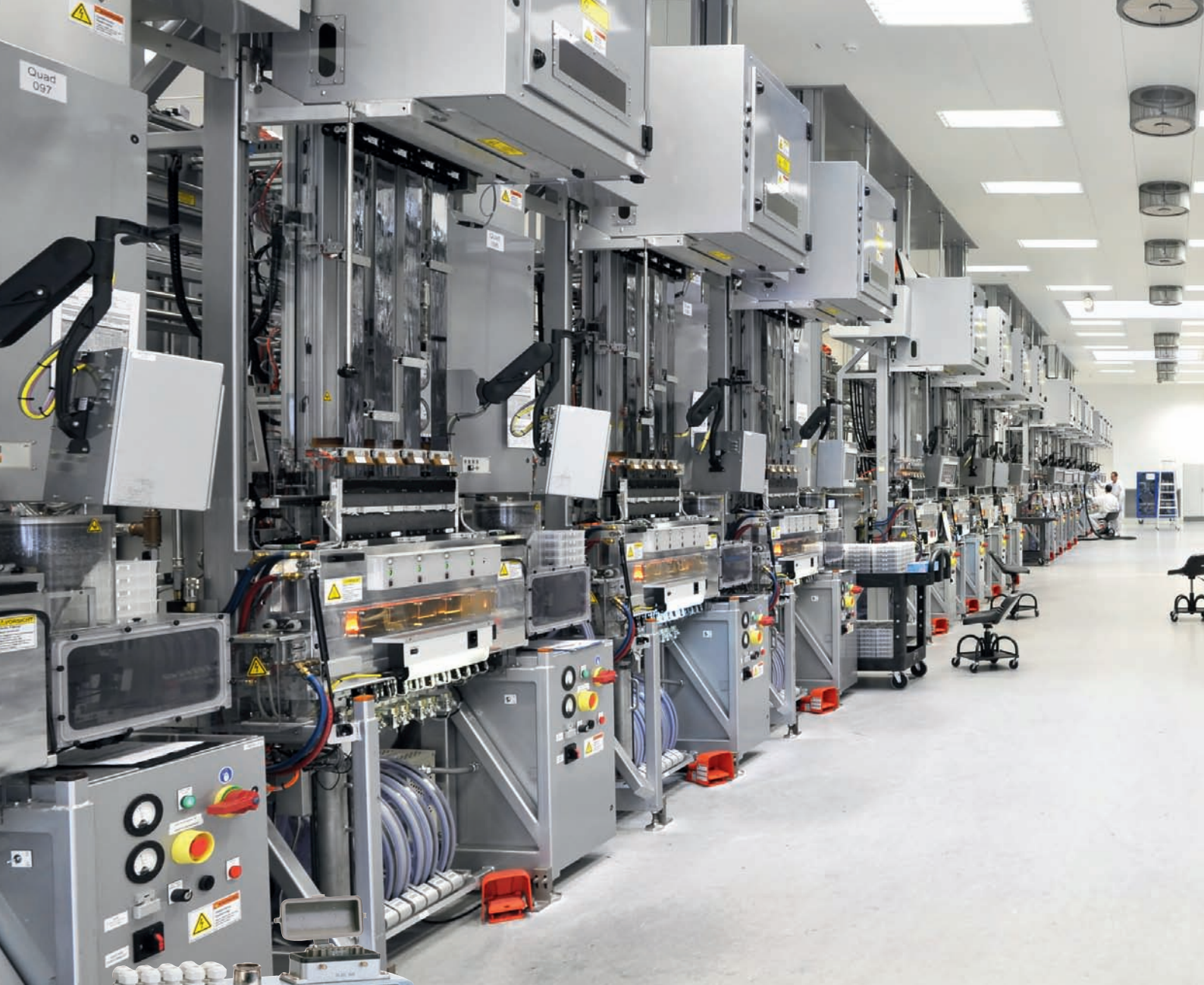


External fixing lugs, for mounting of separate enclosures or small units on flat wall surfaces, may be fixed to the bottom of the enclosure at an angle of 0°, 45°, or 90°, wall gap 7 mm		
AK ABL-ES Set = 4 pieces	793 004 01	50/1

Z-wall profile



Z-wall profile, length 2 m, with 8 M6 cylinder screws and 8 captive push nuts, wall clearance 70 mm, material: galvanised steel		
ZPR	070 800 01	1/1



- 116 standard enclosure sizes up to 330 x 230 mm
- Powder coating to prevent corrosion
- Colour: silver grey, similar to RAL 7001
- Material: Aluminium AL SI 12
- Effective protection against electromagnetic interference (EMI) and electrostatic discharges (ESD)
- An even higher level of protection can be achieved by using conductive seals (available on request) between the components of the enclosure
- High resistance to chemicals
- Special designs on customer request

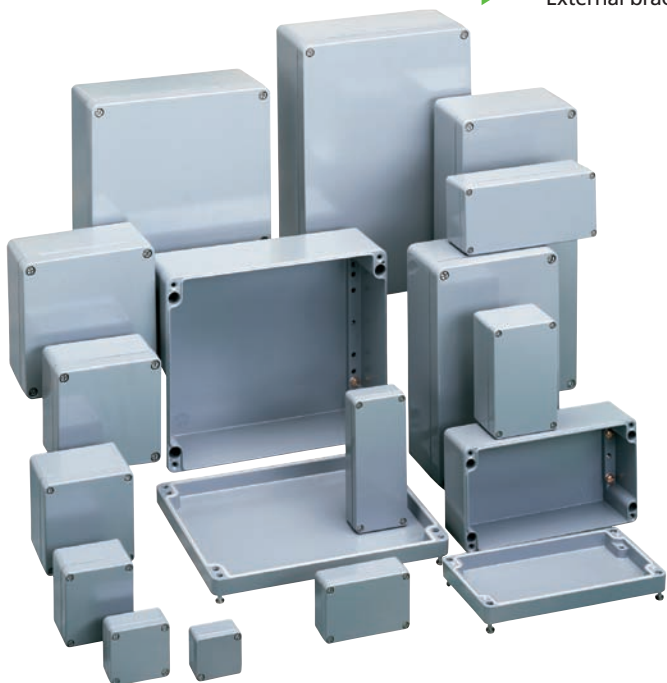


Industrial
Quality

Empty enclosures AL.



- ▶ External hinges
- ▶ External brackets



AL 55-3
50 x 45 mm



Description	Order No.	Packing Qty
Empty enclosure, aluminium, powder-coated, silver-grey similar RAL 7001		



AL 55-3	height/mm 30	150 001 01	6/1
---------	-----------------	------------	-----

AL 66-3
64 x 58 mm



Empty enclosure, aluminium, powder-coated, silver-grey similar RAL 7001		
---	--	--



AL 66-3	height/mm 34	150 002 01	6/1
---------	-----------------	------------	-----

AL 88-6
80 x 75 mm



Empty enclosure, aluminium, powder-coated, silver-grey similar RAL 7001		
---	--	--



AL 88-6	height/mm 57	150 005 01	1/1
---------	-----------------	------------	-----

AL 1006-3
98 x 64 mm



Empty enclosure, aluminium, powder-coated, silver-grey similar RAL 7001		
---	--	--



AL 1006-3	height/mm 34	150 003 01	4/1
-----------	-----------------	------------	-----

AL 1010-8
100 x 100 mm



Description	Order No.	Packing Qty
Empty enclosure, aluminium, powder-coated, silver-grey similar RAL 7001		



	height/mm		
AL 1010-8	81	150 008 01	1/1

AL 1212-8
122 x 120 mm



Description	Order No.	Packing Qty
Empty enclosure, aluminium, powder-coated, silver-grey similar RAL 7001		



	height/mm		
AL 1212-8	81	150 009 01	1/1

AL 1308-6
125 x 80 mm



Description	Order No.	Packing Qty
Empty enclosure, aluminium, powder-coated, silver-grey similar RAL 7001		



	height/mm		
AL 1308-6	57	150 006 01	1/1

AL 1506-3
150 x 64 mm



Description	Order No.	Packing Qty
Empty enclosure, aluminium, powder-coated, silver-grey similar RAL 7001		



	height/mm		
AL 1506-3	34	150 004 01	2/1

Empty enclosures

AL 1616-9
160 x 160 mm



Description	Order No.	Packing Qty
Empty enclosure, aluminium, powder-coated, silver-grey similar RAL 7001		



AL 1616-9	height/mm 91	150 011 01	1/1
-----------	-----------------	------------	-----

AL 1808-6
175 x 80 mm



Description	Order No.	Packing Qty
Empty enclosure, aluminium, powder-coated, silver-grey similar RAL 7001		



AL 1808-6	height/mm 57	150 007 01	1/1
-----------	-----------------	------------	-----

AL 2212-8
220 x 120 mm



Description	Order No.	Packing Qty
Empty enclosure, aluminium, powder-coated, silver-grey similar RAL 7001		



AL 2212-8	height/mm 81	150 010 01	1/1
-----------	-----------------	------------	-----

AL 2320-11
230 x 200 mm

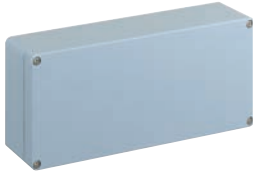


Description	Order No.	Packing Qty
Empty enclosure, aluminium, powder-coated, silver-grey similar RAL 7001		



AL 2320-11	height/mm 111	150 014 01	1/1
------------	------------------	------------	-----

AL 2616-9
260 x 160 mm



Description	Order No.	Packing Qty
Empty enclosure, aluminium, powder-coated, silver-grey similar RAL 7001		



AL 2616-9	height/mm 91	150 012 01	1/1
-----------	-----------------	------------	-----

AL 2823-11
280 x 230 mm



Empty enclosure, aluminium, powder-coated, silver-grey similar RAL 7001		
---	--	--



AL 2823-11	height/mm 111	150 015 01	1/1
------------	------------------	------------	-----

AL 3323-11
330 x 230 mm



Empty enclosure, aluminium, powder-coated, silver-grey similar RAL 7001		
---	--	--



AL 3323-11	height/mm 111	150 016 01	1/1
------------	------------------	------------	-----

AL 3616-9
360 x 160 mm



Empty enclosure, aluminium, powder-coated, silver-grey similar RAL 7001		
---	--	--



AL 3616-9	height/mm 90	150 013 01	1/1
-----------	-----------------	------------	-----

Mounting plate stainless steel



Description

Order No.

Packing Qty

Mounting plate made from stainless steel

	Dimensions/mm	for type		
AL MPS-88	69 x 64 x 1.5	AL 88	155 005 01	1/1
AL MPS-1010	88 x 88 x 1.5	AL 1010	155 008 01	1/1
AL MPS-1212	109 x 107 x 1.5	AL 1212	155 009 01	1/1
AL MPS-1308	114 x 69 x 1.5	AL 1308	155 006 01	1/1
AL MPS-1616	145 x 143 x 1.5	AL 1616	155 011 01	1/1
AL MPS-1808	164 x 69 x 1.5	AL 1808	155 007 01	1/1
AL MPS-2212	207 x 107 x 1.5	AL 2212	155 010 01	1/1
AL MPS-2320	213 x 184 x 1.5	AL 2320	155 014 01	1/1
AL MPS-2616	244 x 143 x 1.5	AL 2616	155 012 01	1/1
AL MPS-2823	264 x 214 x 1.5	AL 2823	155 015 01	1/1
AL MPS-3323	314 x 213 x 1.5	AL 3323	155 016 01	1/1
AL MPS-3616	345 x 143 x 1.5	AL 3616	155 013 01	1/1

Mounting rail NS 35



Mounting rail according to DIN EN 60715, 35 x 7.5, width 35mm

	Length	for type		
AL NS35-110	110	AL 1212	162 009 01	1/1
AL NS35-145	145	AL 1616	162 011 01	1/1
AL NS35-186	186	AL 2320	162 014 01	1/1
AL NS35-208	208	AL 2212	162 010 01	1/1
AL NS35-245	245	AL 1616	162 012 01	1/1
AL NS35-266	266	AL 2823	162 015 01	1/1
AL NS35-316	316	AL 3323	162 016 01	1/1
AL NS35-345	345	AL 3616	162 013 01	1/1

External fixing lugs kit



Sample application



External fixing lugs kit

AL ALS-kl	for AL/ALR 88, 1006, 1010, 1308, 1506, 1808	154 004 01	1/1
AL ALS-gro	for AL/ALR 1212, 1616, 2212, 2320, 2616, 2823, 3323, 3616	154 006 01	1/1

External hinge set



For upgrading the housing cover to hinged door, incl. 2 hinges, fixing screws, masking-off strips and drilling template

AL ASS	for AL/ALR 1010, 1212, 1616, 2212, 2320, 2616, 2823, 3323, 3616	154 210 01	1/1
--------	---	------------	-----

Ventilation seal



IP44

Description

Order No.

Packing Qty

With labyrinth seal to reduce condensation formation in housing, thermoplastic elastomer, grey, for insert in lower housing side

BST M20	f. wall thicknesses/mm	262 420 01	600/100
	1.5 - 4.5		

Pressure compensation device



IP68

Pressure compensation device with air-permeable and water-tight special membrane foil to reduce condensation formation in housings. Polyamide grey, without lock nut

DAE M12 M12 x 1.5 mm, thread length 10 mm	262 412 01	10/1
---	------------	------

Double membrane seals



IP66

Double membrane seals made of elastic plastic with two sealing membranes, closed

	f. wall thicknesses/mm	Sealing area/mm		
DMS M16	1.5 - 4.5	5 - 9	260 416 01	600/50
DMS M20	1.5 - 4.5	7 - 12	260 420 01	600/50
DMS M25	1.5 - 4.5	9 - 16	260 425 01	600/50
DMS M32	1.5 - 4.5	14 - 21	260 432 01	300/25

Cable glands



IP68

Cable gland with strain relief, polyamide, M_ x 1.5 mm, with lock nut

	Thread length/mm	Sealing area/mm		
KVR M12-MGM	8	2 - 6.5	227 412 01	600/100
KVR M16-MGM	8	4 - 10.0	227 416 01	450/75
KVR M20-MGM	9	6 - 12.0	227 420 01	300/50
KVR M20-GDB/MGM	9	7 - 14.0	227 421 01	180/30
KVR M25-MGM	11	7 - 16.0	227 425 01	150/25
KVR M32-MGM	11	11 - 21.0	227 432 01	60/10
KVR M40-MGM	11	16 - 28.0	227 440 01	30/5
KVR M50-MGM	13	21 - 34.5	227 450 01	30/5
KVR M63-MGM	17	32 - 44.5	227 463 01	50/5

Combi connector



IP54

Adapters with opened sealing membrane, no lock nuts required

	f. wall thicknesses/mm	Sealing area/mm		
AST M16	1.5 - 4.5	6 - 10	230 416 01	600/50
AST M20	1.5 - 4.5	8 - 13.5	230 420 01	600/50
AST M25	1.5 - 4.5	9 - 18.5	230 425 01	300/50
AST M32	1.5 - 4.5	13 - 23	230 432 01	150/25
AST M40	1.5 - 4.5	17 - 30	230 440 01	120/20