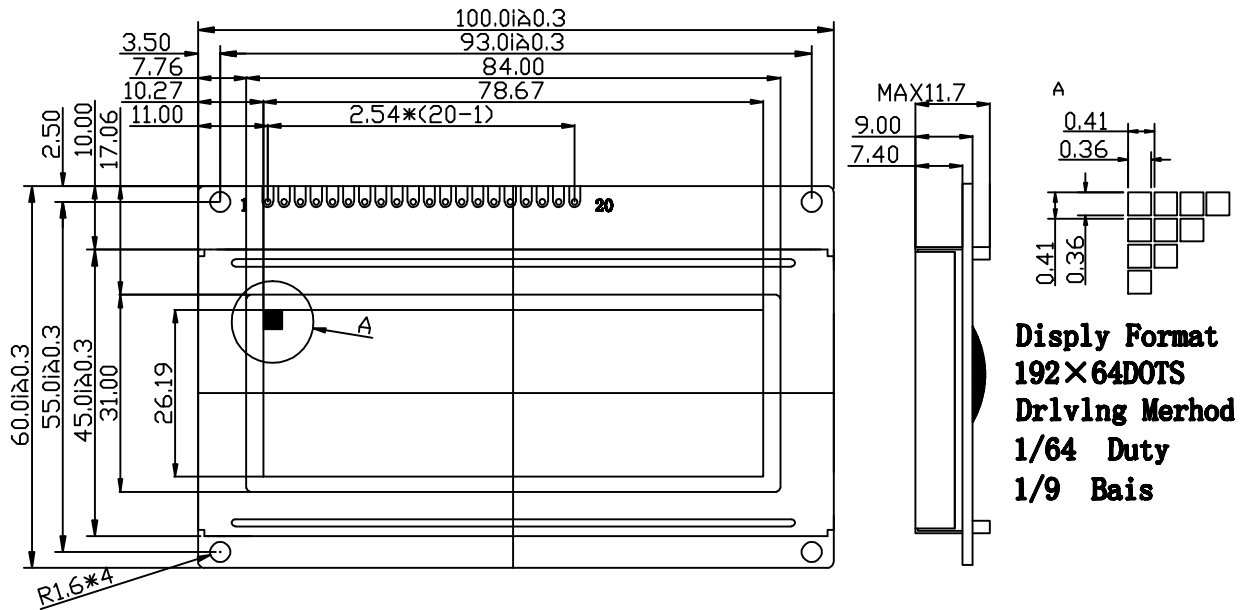


WSM19264-1

深圳远望石科技有限公司
 TEL: 0755-27931180 FAX: 0755-27931090
 E-mail: YWSLCM@126.COM
 HTTP://: WWW.YWSLCM.COM
 地址: 深圳市西乡流塘榕树路 68号4栋4楼

① PHYSICAL DIMENSION/外型尺寸



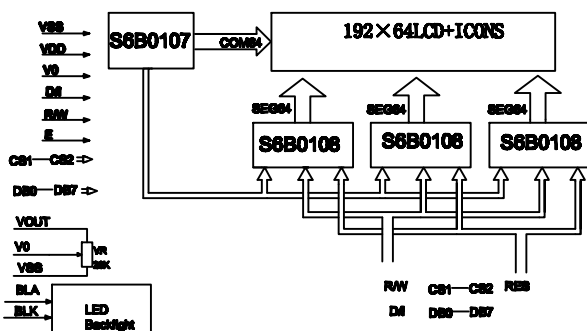
② FEATURES/特征

| Feature(特征) | | UNIT(单位) | | | | |
|--|----------------------------|----------|---------|----------|-----|----|
| LCD type & Colour(类型及颜色) | STN Yellow-green ;STN Blue | | | | | |
| View Angle(视角) | 6 0' clock | | | | | |
| Operating temperature(工作温度) | -20℃ — 70℃ | | | | | |
| Storage Temperature(贮存温度) | -30℃ — 80℃ | | | | | |
| Control IC & Package(控制芯片及封装) | S6B0107 , COB | | | | | |
| Weight(重量) | 73 (With B/L) | | g | | | |
| Backlight(背光类型) | LED | | | | | |
| Ta=25℃ | | | | | | |
| | MIN(最小) | TYP(典型) | MAX(最大) | UNIT(单位) | | |
| Supply current don't contain backlight(无背光时电流) | 0 | 9.2 | | mA | | |
| VDD(电源) | -0.3 | 3.0 | 5.0 | 5.5 | V | |
| VLCD-V0LCD驱动电压) | 0 | -6.8 | | V | | |
| Backlight LED (背光电压, 电流) | 侧背光 | 0 | 3.0 | 5.0 | 5.0 | V |
| | | 0 | 75 | 75 | | mA |
| | 底背光 | 0 | | 5.0 | 5.5 | V |
| | | 0 | | 180 | | mA |

③ PIN CONFIGURATION/管脚说明

| PIN | SYMBOL | DESCRIPTION(定义描述) | |
|-----|--------|--|--|
| 1 | DB0 | Data bus [0~7]. These state I/O common terminal. (数据线0-7) | |
| 8 | DB7 | | |
| 9 | E | | Enable trigger. (使能信号) |
| 10 | R/W | | Read or Write. (写数据) |
| 11 | RS | | H:Data L:Instruction Code (指令 数据信号) |
| 12 | V0 | | Operating voltage for LCD Driver (对比度调节) |
| 13 | VDD | | Power positive (逻辑电压) |
| 14 | VSS | | Power ground (地) |
| 15 | CS2 | Chip select signal (片选2) | |
| 16 | CS1 | Chip select signal (片选1) | |
| 17 | VOUT | Negative voltage output (负压输出) | |
| 18 | RST | Reset Signal (复位) | |
| 19 | BLA | Power supply for backlight (+) (背光正极) | |
| 20 | BLK | Power supply for backlight (-) (背光负极) | |

④ BLOCK DIAGRAM/原理电路



⑤ ELUCIDATION/补充备注

| |
|--|
| |
|--|