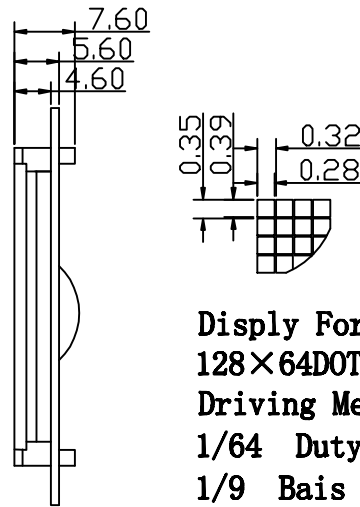
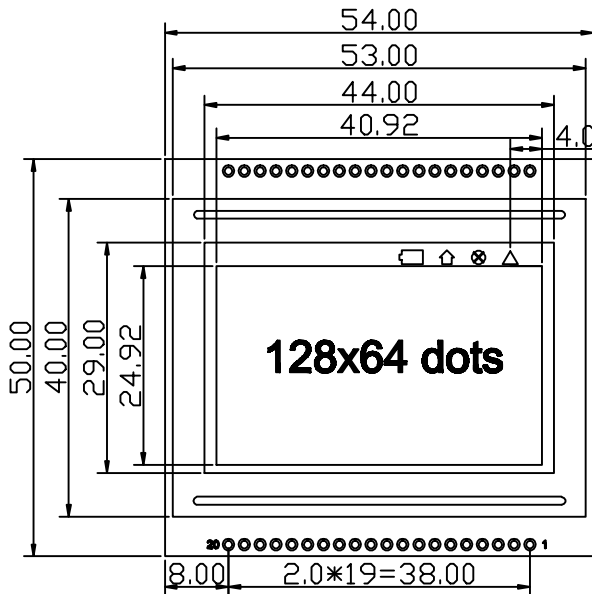


# 12864-5

V1.0

深圳远望石科技有限公司  
 TEL: 0755-27931180 FAX: 0755-27931090  
 E-mail: YWSLCM@126.COM  
 HTTP://: WWW.YWSLCM.COM  
 地址: 深圳市西乡流塘榕树路 68号4栋4楼

## ① PHYSICAL DIMENSION/外型尺寸



## ② FEATURES/特征

Feature(特征)	UNIT(单位)
LCD type & Colour(类型及颜色)	STN Yellow-green ;STN Blue
View Angle(视角)	6 o'clock
Operating temperature(工作温度)	-20℃ — 70℃
Storage Temperature(贮存温度)	-30℃ — 80℃
Control IC & Package(控制芯片及封装)	S6B0107, COB
Weight(重量)	53 (With B/L)
Backlight(背光类型)	LED

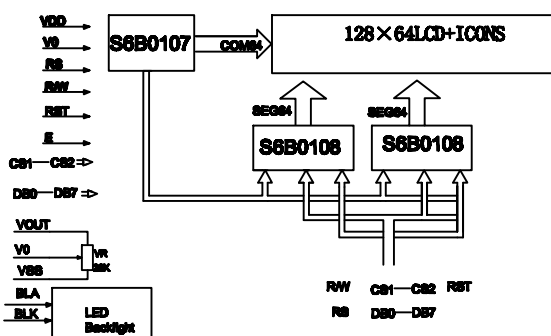
  

Ta=25℃	MIN(最小)	TYP(典型)	MAX(最大)	UNIT(单位)	
Supply current don't contain backlight(无背光时电流)	0	7.2		mA	
VDD(电源)	-0.3	5.0	5.5	V	
VLCD-VOLCD(驱动电压)	0	-4.7		V	
Backlight LED (背光电压, 电流)	侧背光	0	5.0	5.0	V
		0	75		mA

## ③ PIN CONFIGURATION/管脚说明

PIN	SYMBOL	DESCRIPTION(定义描述)	
1	VSS	Power ground (地)	
2	VDD	Power positive (逻辑电压)	
3	V0	Operating voltage for LCD Driver(对比度调节)	
4	RS	H:Data(数据) L:Instruction(指令)	
5	R/W	H:Read data(读数据) L:Write data(写数据)	
6	E	Enable single(使能, 下降沿有效)	
7	DB0	Data bus [0~7]. There state I/O common terminal. (数据线0-7)	
14	DB7		
15	CS1		Chip select active-low (片选1, 低电平有效)
16	CS2		Chip select active-low (片选2, 低电平有效)
17	RST		Reset Signal active-low(复位, 低电平有效)
18	VOUT		Negative voltage output (负压输出)
19	BLA		Power supply for backlight(+) (背光正极)
20	BLK	Power supply for backlight(-) (背光负极)	

## ④ BLOCK DIAGRAM/原理电路



## ⑤ ELUCIDATION/补充备注