

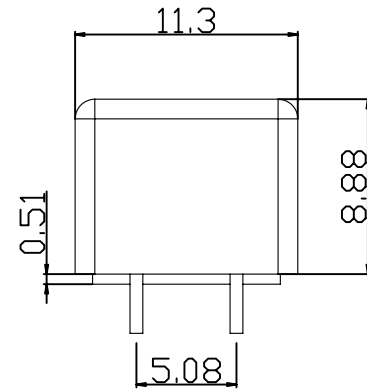
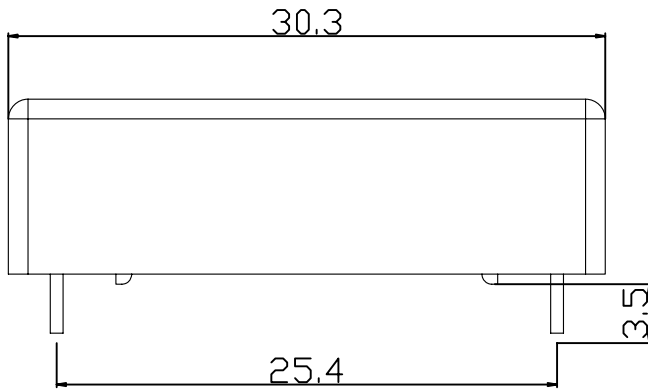
HVR1A05-HG

- Mercury Wetted Reed Relay
- Coil Voltage 5V
- Breakdown up to 3KV

Misensor Tech (Shanghai) Co., Ltd
Add: No.25 Hangming Road Hangtou Town,
Pudong new district, Shanghai
TEL: 021-60976200 FAX: 021-60976212
Http://www.Misensor.cn

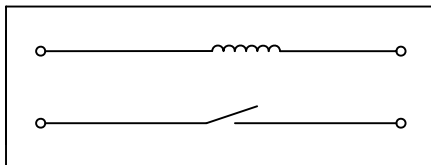
[Outline Dimension]

Unit: mm



[Pin Layout]

[Top View]



[Marking]

Misensor Reed Relay

HVR1A05-HG



Coil Parameters		Relay Parameters	
1 Nominal coil voltage	5.0 VDC	1 Min Breakdown Voltage	3000 VDC
2 Max Operating voltage	7.0 VDC	2 Dielectric Strength coil/contact	3000 VDC
3 Max Pull-in voltage	4.0 VDC	3 Insulation Resistance coil/contact	1.00E+10ohm
4 Min Drop-out voltage	0.5 VDC	4 Operate Time	2.0ms
5 Coil Resistance	100ohm	5 Reset Time	1.5ms
Contact Parameters		6 Capacitance Across Contacts	0.3pF
1 Max Contact Rating	50 W	7 Storage Temperature	-35~+105°C
2 Max Switch Voltage	1000 VACpeak/VDC	8 Operating Temperature	-20~+70 °C
3 Max Switch Current	2.0 A	9 Soldering Temperature	5 sec. max 260°C
4 Max Carrying Current	3.0 A		
5 Min Breakdown Voltage	3000 VDC		
6 Max Contact Resistance	50 mohm		

Version: 01	Designed by		TITLE	
	Checked by		Misensor Reed Relay	
	Approved by		P/N	
	Date	2013-05-30	HVR1A05-HG	Page: 1/1