

HVR1A24-HC

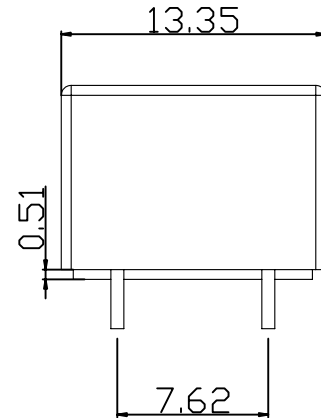
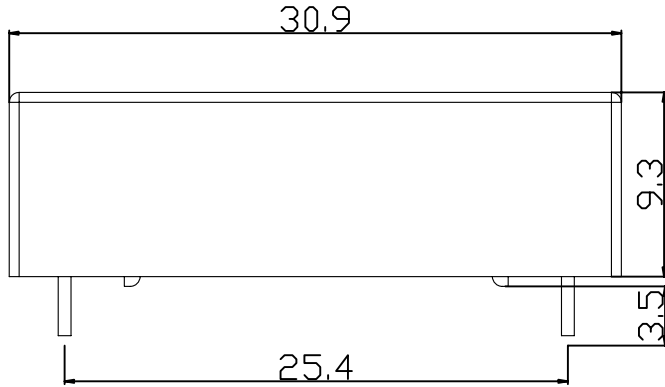
- High Current Reed Relay
- Coil Voltage 24V
- Breakdown up to 1000VDC

Misensor Tech (Shanghai) Co., Ltd
Add: No.25 Hangming Road Hangtoun Town,
Pudong new district, Shanghai
TEL: 021-60976200 FAX: 021-60976212
[Http://www.Misensor.cn](http://www.Misensor.cn)

[Outline Dimension]

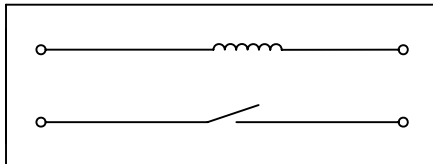
Unit: mm

Scale: 2.5:1



[Pin Layout]

[Top View]



[Marking]

Misensor Reed Relay
HVR1A24-HC

Coil Parameters		Relay Parameters	
1 Nominal coil voltage	24 VDC	1 Min Breakdown Voltage	1000 VDC
2 Max Operating voltage	29 VDC	2 Dielectric Strength coil/contact	3000 VDC
3 Max Pull-in voltage	18 VDC	3 Insulation Resistance coil/contact	1.00E+11ohm
4 Min Drop-out voltage	2.0 VDC	4 Operate Time, incl. Bounce	0.5ms
5 Coil Resistance	1600ohm	5 Reset Time	0.1ms
Contact Parameters		6 Capacitance Across Contacts	0.5pF
1 Max Contact Rating	60 VA	7 Storage Temperature	-35~+105°C
2 Max Switch Voltage	400 VACpeak/VDC	8 Operating Temperature	-20~+70 °C
3 Max Switch Current	3.0 A	9 Soldering Temperature	5 sec. max 260°C
4 Max Carrying Current	4.0 A		
5 Min Breakdown Voltage	1000 VDC		
6 Max Contact Resistance	100 mohm		

Version: 01	Designed by		TITLE	
	Checked by		Misensor Reed Relay	
	Approved by		P/N	Scale: 2.5:1
	Date	2013-06-14	HVR1A24-HC	Page: 1/1