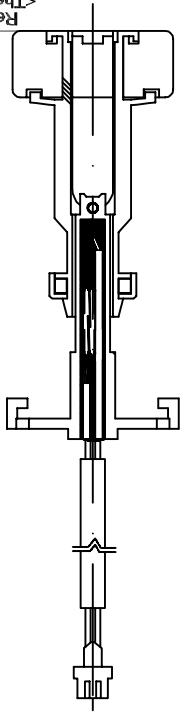


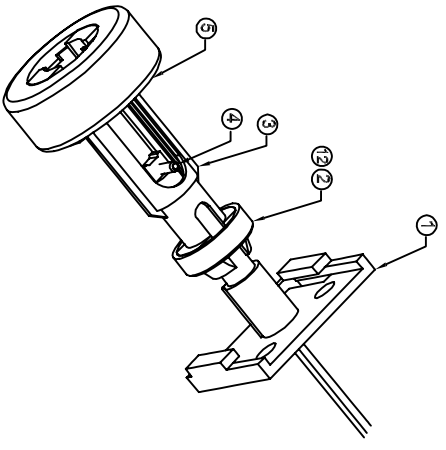
The float in the lowest

Operation Instruction



*SC Reed SW Operation According to K1:

K1	K=0-1.5mm	K=1.5-3.5mm	K=3.5mm or more
Reed SW Operation	Full ON	ON/OFF	Full OFF



ELECTRICAL

PHYSICAL

Contact Type	Form A
Contact Rating	10W Max
Voltage Switching	200 VDC Max
	125 VAC RMS Max
Voltage Breakdown	200 VDC Min
Current Switching	0.35 ADC Max
	0.25 ADC RMS Max
Current Carry	0.35 ADC Max
	0.25 AAC RMS Max
Contact Resistance Initial	0.5 Ohm Max
(Including Leads)	N. 0.

1. Base	PP Color Nature
2. Magnet Cap	PP Color Nature
3. Float Support	PP Color Nature
4. Shaft	SUS 304
5. Float	PP Color Nature
6. Encapsulant	Epoxy Black
7. PVC Tube Magnet	PVC tube φ4*1.0t, Transperent
8. Cable	24AWG UL1007 Black
9. Connector Housing	SMH250-02L Black
10. Connector Terminal	YST-025L
11. Retainer	SMH-250J-02RT, Red
12. Magnet	Ferrite

MI SENSOR TECH (ShangHai) LTD.

REV. CHK. BY ZONE	DESCRIPTION	DRW. BY	DATE
A	1. RELEASE DRAWING.	Zhangxiaoqing	20120712
PART NO	DRAWING NO.	PART NAME	
		LS19/6281A	V1.3
TOLERANCE	FINISHED BY	DRAWN BY	
LINEAR: ±		Zhangxiaoqing	
ANG. ±			
0 ±0.5			
0.0 ±0.2			
0.00 ±0.1			
SCALE 1:1	DRAFT ANGLE 1°	APPROVED BY	
		Xutao	
ALL DIMENSION ARE IN MM SHEET DF			