

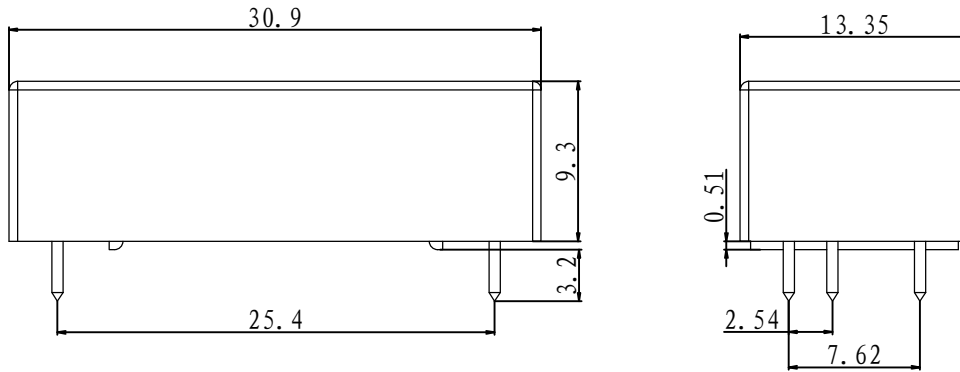
HVR05-2A04-02

- High Voltage Reed Relay
- Coil Voltage 5V
- Breakdown up to 4KV

Misensor Tech (Shanghai) Co., Ltd
 Add: No. 25 Hangming Road Hangtuo Town,
 Pudong new district, Shanghai
 TEL: 021- 60976200 FAX: 021-60976212
 Http://www.Misensor.cn

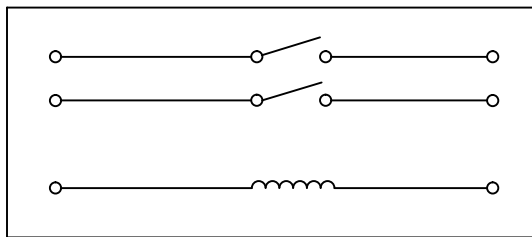
[Outline Dimension]

Unit: mm Scale: 2.5:1



[Pin Layout]

[Top View]



Order Information

HVR05-2A04-02

Coil Parameters		Relay Parameters	
1 Nominal coil voltage	5.0 VDC	1 Min Breakdown Voltage	4K VDC
2 Max Operating voltage	7.0 VDC	2 Dielectric Strength coil/contact	4K VDC
3 Max Pull-in voltage	3.8 VDC	3 Insulation Resistance coil/contact	1.00E+12ohm
4 Min Drop-out voltage	0.5 VDC	4 Operate Time, incl. Bounce	1.0ms
5 Coil Resistance	150ohm	5 Reset Time	0.1ms
Contact Parameters		6 Capacitance Across Contacts	0.2pF
1 Max Contact Rating	100 W	7 Storage Temperature	-35 +105°C
2 Max Switch Voltage	1000VACpeak/VDC	8 Operating Temperature	-20 +70 °C
3 Max Switch Current	1.0 A	9 Soldering Temperature	5 sec. max 260°C
4 Max Carrying Current	2.5 A		
5 Min Breakdown Voltage	4K VDC		
6 Max Contact Resistance	150 mohm		

Version: 02	Designed by		TITLE	
	Checked by		2 Form A Reed Relay	
	Approved by		P/N	Scale: 2.5:1
	Date	5th, Dec, 2010	HVR05-2A04-02	Page: 1/1