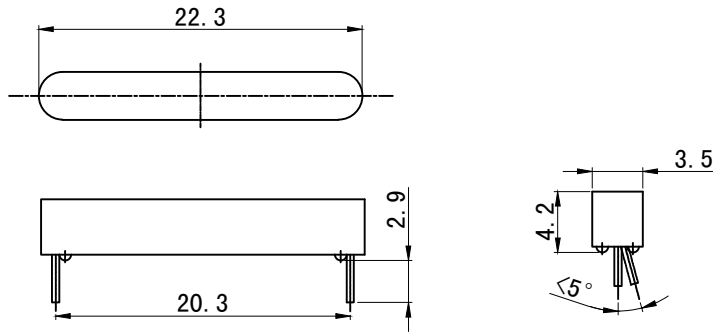


[外形尺寸] Outline Demension



开关参数 Switch Characteristic

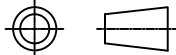
1. 干簧管型号 Switching Specifaction	1: (Normally open)	2: (Normally open High voltage)	3: (change over)	4: (Normally open)
	Form A	Form A (HV)	Form C	Form A
2. 最大触点容量 Max Contact Rating	10W	10W	5W	50W/70VA
3. 最大开关电压 Max Switch Voltage	DC200V	AC265V/DC200V	DC175V	AC300V/DC350V
4. 最小击穿电压 Min Breakdown Voltage	DC250V	DC400V	DC400V	DC600V
5. 最大开关电流 Max Switch Current	0.5A	AC0.3A/DC0.4A	0.25A	AC0.5A/DC0.7A
6. 最大负载电流 Max Carry Current	1.0A	1.4A	1.5A	2.5A

性能参数 Physical Characteristic

1. 耐冲击性 Min Shock:	30G
2. 耐振动性 Min Vibration:	30G(10~50Hz)
3. 使用温度范围 Temp. Rating:	-30~80°C
4. 热冲击性 Heat Shock:	-40~85°C

订购信息 Order Information

系列 Series	触点形式 Contact Form	开关参数 Switch Characteristic	磁性特征 (灵敏度) Magneticial Specifaction (Sensitivity)
MS13-01-	XX	X	X
选项 OPTIONS	1A:1Form A 1B:1Form B 1C:1Form C 1E:1Form E	1: 10W 2: 10W (HV) 3: 5W 4: 50W	1: 10AT-15AT 2: 15AT-20AT 3: 20AT-25AT 4: 25AT-30AT

备注 Remark: RoHS	设计 Designed by	Gu Rui Nian	品名 TITLE PCB穿孔安装接近开关 Reed Sensor For PCB Mounting	
	审查 Checked by	Xu Deng Kui		
	批准 Approved by	Xu Tao	产品型号 P/N MS13-01	版本 Version: V1.0
	日期 Date	2011.05.03		页次 Page: 1/1