

## ELECTRO-MECHANICAL POINT LEVEL SENSOR



### MINI-ROTO™

**"Low Cost" - "High Value"**

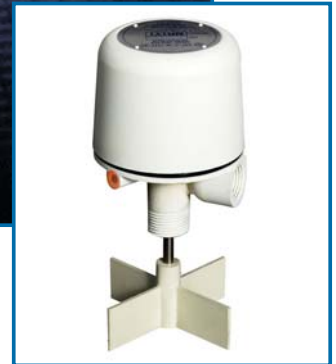
## **P** Product Highlights

- For Small Bins and Hoppers
- Impact Resistant Injection Molded Housing
- Performs in Low Density Materials
- 3/4" NPT Mounting
- 1/2" Conduit Connection
- Optional Sensing Paddles
- Optional Mounting Plate
- Heater for Low Temperatures (Standard)
- Adjustable Sensitivity
- External Alarm LED
- Screw Terminals
- SP/DT 10 Amp Switch Output
- Shaft Extendable

The **COMPACT** Injection Molded Impact Resistant "Mini Roto" has been designed for use in small bins and hoppers where mounting space is a premium. This compact yet rugged level sensor included adjustable sensitivity allowing it to be used in materials with densities between 5 lbs/cu ft and 65 lbs/cu ft.

**NO FALSE ALARMS** will occur because of material build up. It is not sensitive to material build up by static which can cause false alarms with other types of sensors.

The **RED LED** allows operators to determine when the sensor is in the alarm condition (material presence) up to 50 feet away. No need to guess when the unit is in the alarm condition with the externally visible Alarm LED.



#### **IDEAL FOR SMALL BINS**

The 3/4" NPT mounting threads, 1/2" NPT conduit connection, the screw terminals and the normally open or normally closed 10 amp switch make this sensor the best choice for either High or Low level sensing in small hoppers.

#### **WIDE OPEARATING RANGE**

Designed to operate in a wide temperature range and includes a heater to allow its use to -40° F (-40° C). Operating temperatures to 200° F (93° C) make this sensor perfect for Plastic Injection Molding Hoppers.

#### **IDEAL FOR USE IN LIGHT DUTY APPLICATIONS**

Such as small Dry Bulk Packaging Hoppers • Compact Feed Bins • Seed Packaging Bins • Spice Bins • Sugar Feed Binds • Cereal Surge Bins.

## Specifications:

**Motor:** Permanent-Magnet Synchronous, 2 watts 120/240 VAC  $\pm$  10%, 2 watts 24 VAC  $\pm$  10%

**Voltage:** 120/240 VAC, 24 VDC or 24 VAC

**Switch Rating:** SPDT 10 A 125 VAC; 10 A 250 VAC; 1/2 A 125 VDC; 1/4 A 250 VDC

**Enclosure:** Corrosion resistant, weatherproof (Nema 4,4X,5)

**Enclosure Material:** Housing and cover; Injection Molded Minlon™

**Paddle Material:** Injection molded Nylon™, Ryton™, or food grade Polysulfone™

**Shaft Seal:** Teflon™/Viton™ Lipseal™ rated 1/2 micron @ 30 psi (2.1 kg/cm<sup>2</sup>) @ 400° F (204° C)

**Mounting:** 3/4" NPT

**Clutch:** Prevents damage to motor gear train

**Conduit Opening:** 1/2" NPT

**Drive Shaft Assembly:** Precision shaft with 2 Rulon™ bearings

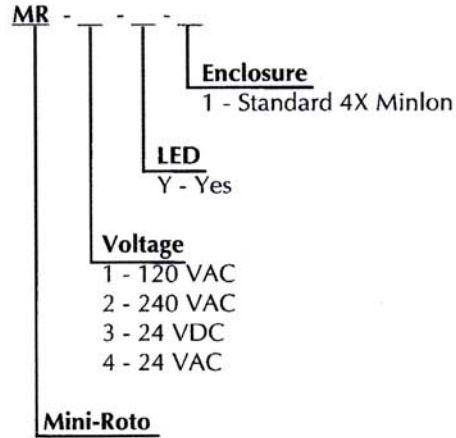
**Circuitry:** Designed to shut motor off during presence of material; turn on red LED, 1 watt heater to eliminate moisture in 120 VAC or 240 VAC units only.

**Paddle:** Nylon™, Ryton™, or Polysulfone™ injection molded "insertable" or "4 vane" and "2 vane" (PVC only).

**Screw Terminals:** For power and switch wiring

**Shaft Extension:** Available in PVC or 304 S.S.

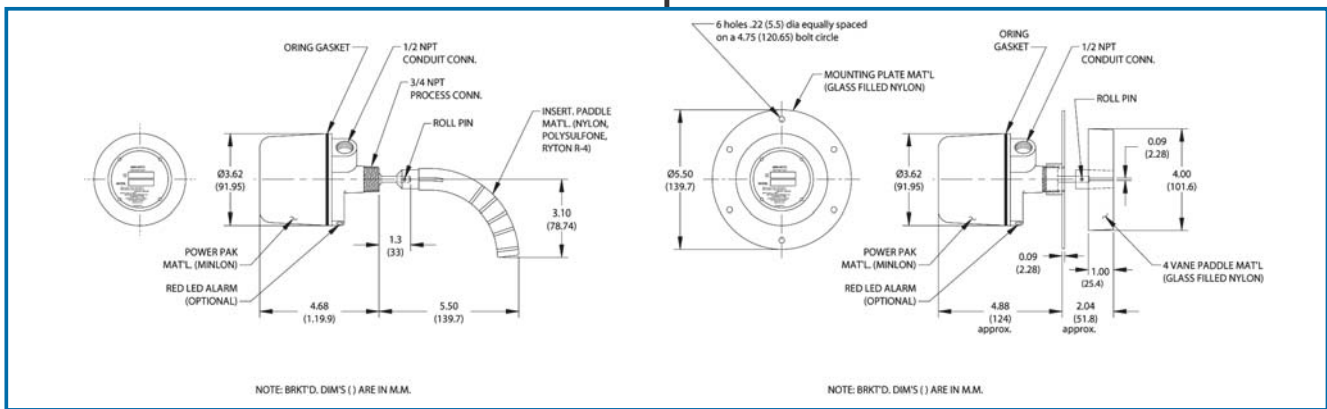
## How To Order:



## How To Order Accessories:

Part Number	Description
LMR110006	2 Vane (3"x12") PVC Paddle
LMR110007	PVC Extension & Guard Assembly*
LMR110008	304 S.S. Extension & Guard Assy.*
LMR120003	Insertable Paddle, Nylon
LMR120006	4 Vane Paddle, Nylon
LMR120024	4 Vane Paddle, Ryton
LMR120025	4 Vane Paddle, Food Grade
LMR120026	Paddle, Insertable - Ryton
LMR120027	Paddle, Insertable, Food Grade
LMR130025	Mounting Plate, Nylon
LMR130026	Mounting Plate, Gasket

\*Order the above assemblies in inches for required insertion length



## ISO 9001 Registered Company

150 Venture Boulevard ■ Spartanburg, SC 29306  
 Tel: (800) 778-9242 ■ (864) 574-8060 ■ Fax: (864) 574-8063  
 E-mail: sales@bindicator.com www.bindicator.com

### Electro-Mechanical

#### Level Controls

- Roto-Bin\_Dicator®
- Mini-Roto-Bin-Dicator®
- Super-Safe-Plus-Roto-Bin\_Dicator®
- Model A Bin-Dicator®
- Auto Bin-Dicator®
- Bantam Bin-Dicator®
- Liquid Level Bin-Dicator®

#### Tuning Fork Level Controls

- Pulse Point™

#### RF Capacitance Level Controls

- RF-4000
- RF-6000
- RF-8000
- RF-8200
- RF-9000
- RF-9100
- RF-9200

#### RF Capacitance Remote Level Controls

- RF-10000
- RF-11000

#### RF-12000

- RF-17000
- RF-18000

#### DRY FLOW

- Bin-Flo®
- Flo-Guard™
- Flo-Commander™

#### Plumb-Bob

- Bindicator Yo-Yo®

#### Capacitance

- Cap-Level® II & IIA

#### Super-Safe-Plus-Roto-Bin\_Dicator®

#### Continuous Level

- MS 2000 Series

#### Liquid Level Controls

- Leveldata
- Mach One™

#### Celtek Phase Tracking

- Phase Tracker™
- iLevel Inventory Manager Software

For information, specifications, installation instructions and engineering help with any Bindicator product, contact Bindicator or your local authorized representative.