



- Remote version of LP-100
- High temperature applications up to 248° F (120° C)
- External function test using magnetic fob
- No calibration required
- Liquid/solid interface

Features and Benefits

Simple Mechanical Mechanism
No calibration required

1 1/4" or 1 1/2" NPT Top or Side Mount
Multiple mounting options to choose from

Dual-Tine, Self-Cleaning Action
Won't "rat hole" like single-tine vibratory units

Field Selectable Fail-Safe Operation
Single model will work in low or high level

DPDT Switch
Gives the user capability to turn off or on up to two auxiliary devices

Adjustable Time Delay
Switch activation can be delayed to user defined time settings (0-25 seconds)

Ability to Sense Lightweight Materials
Densities as low as 2 lbs/ft³ (32 kg/m³)

Captive Screws
No lost screws

The Pulse Point™ is an electronic vibratory level control especially effective in lightweight powders and granular solids. Because the Pulse Point™ senses material using a mechanical principle, the dielectric constant of the material is irrelevant.

How to Order

Remote Electronics

LP2 - - - 20 -

Electronic Types

- 0= Standard
- 1= Liquid/Solid Interface

Voltage

- 1 = 120 VAC
- 2 = 240 VAC

Enclosure Type

- G = General Purpose NEMA 4X
- X = Explosion-proof NEMA 7/9 - FM & CSA Approved

Pulse Point™ LP-200 Electronics

Remote Sensing Tuning Fork

LP2 - - - - 30 - - - (Maximum - 120") (3048mm)

Type (Specify Insertion Length in Inches if Applicable)

- 0 = No Pipe Extension (Standard NPT Mounting)
- A = Galvanized 3/4" Pipe Extension
- B = 316 S.S. 3/4 Pipe Extension
- 1 = Mild Steel Mounting Plate & Galvanized 3/4" Pipe Extension
- 3 = 304 S.S. Mounting Plate & 316 S.S. 3/4" Pipe Ext.

Mounting Configuration

- A = 1 1/2" NPT Mounting
- C = 1 1/2" Pipe Extended (High Temperature Cable)
- D = 1 1/4" Pipe Extended (Only Available With Type 1 Tuning Fork & High Temp Cable)
- E = 1 1/4" NPT Mounting (Only Available With Type 1 Tuning Fork & High Temp Cable)

Enclosure Rating

- G = General Purpose - NEMA 4X
- D = Dust Ignition Proof - NEMA 9 CSA Approved

Enclosure Material

- A = Aluminum, Polyester Coated
- S = 304 S.S. (Function Test Not Available With S.S. Enclosure)

Tuning Fork

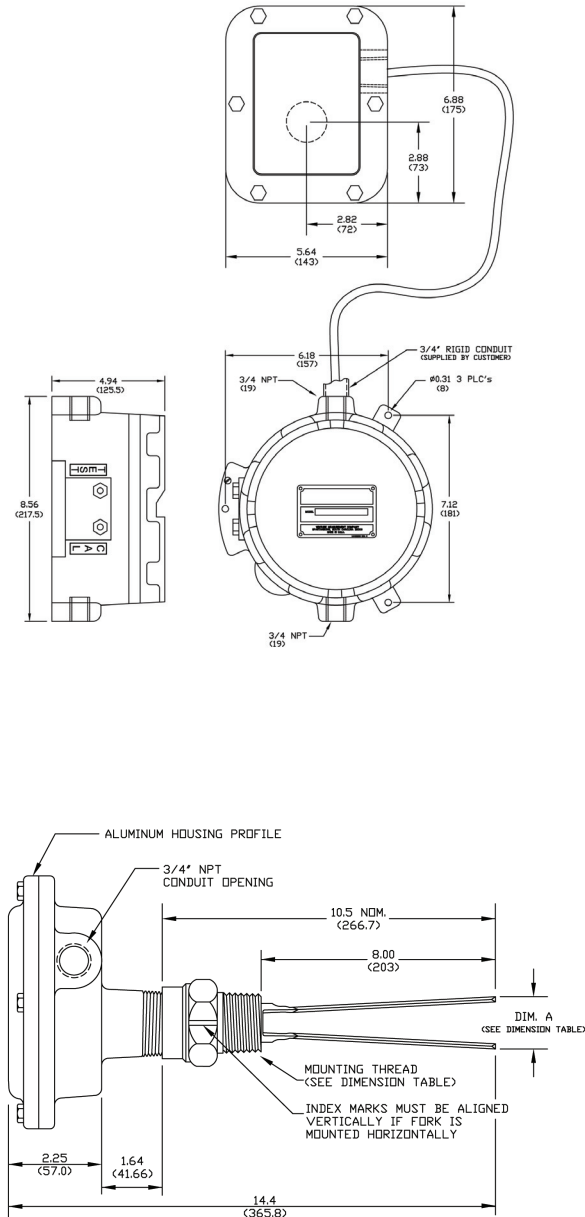
- 1 = 316 Stainless Steel
- 3 = 316 Stainless Steel - Teflon® Coating
- 5 = Liquid/Solid Interface - 316 Stainless Steel

Pulse Point™ LP-200

Specifications

Enclosure Material:	Polyester coated aluminum or 304 S.S.
Enclosure Rating:	General purpose NEMA 4X, explosion-proof NEMA 9
Operating Temperature:	Electronics: -40° F to 175° F (-40° C to 80° C) Tuning Fork: -55° F to 248° F (-48° C to 120° C)
Mounting:	1 1/2" or 1 1/4" NPT, Extended forks can be mounted directly through 1 1/2" or 1 1/4" NPT coupling, Mild Steel or 304 S.S. Mounting Plate
Conduit Entry:	3/4" NPT
Fail Safe Circuitry:	Field selectable high/low level
Tuning Fork:	316 S.S. standard; 316 S.S. with Teflon® coating; 316 S.S. liquid/solid interface
Extended Pipe Material:	Galvanized or 316 S.S.
Maximum Pipe Extension:	10ft (3m)
Status Indicator:	External Green LED: power, External Red LED: alarm
Time Delay:	Field programmable: ON, OFF or both Adjustable (0-25 sec)
Output:	5A DPDT @ 125 VAC or 28 VDC
Power Consumption:	5VA
Power Requirements:	120 VAC or 240 VAC, 50/60 Hz
Pressure Rating:	150 psi (10.5 kg/cm ²) with 1 1/2" NPT 5 psi (0.35 kg/cm ²) with mounting plate
Minimum Material Density:	2 lbs/ft ³ (32 kg/m ³)
Approvals:	CSA listed on all 1 1/4" & 1 1/2" configurations for general purpose, CSA listed on all 1 1/4" & 1 1/2" configurations for dust ignition proof; FM listed for explosion-proof Class I, Division I, Groups C, D, DI and Class II, Division I, Groups E, F & G, excluding pipe extended models - not available with stainless steel enclosure.

Dimensions



DIMENSION TABLE

MOUNTING THREAD	1-1/4"	1-1/2"
DIM A	1.4" NDM (35.56mm)	1.7" NDM (43.18mm)



150 Venture Boulevard · Spartanburg, SC 29306
 Tel: (800) 778-9242 · (864) 574-8060
 Fax: (864) 574-8063 E-mail: sales@bindicator.com
 www.bindicator.com

Teflon® is a registered trademark of E.I. du Pont.
 2006 All rights reserved.
 All data subject to change without notice.

