



WALRUS

MULTISTAGE CENTRIFUGAL PUMP

Immersible Pumps

TPRK 2T

50 /60Hz



WALRUS PUMP

ISO 9001 Certified





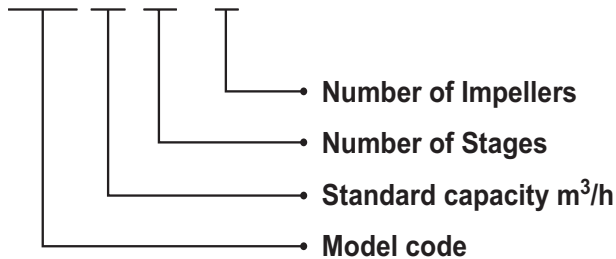
Applications

The WALRUS TPRK Series is vertical multistage centrifugal pump, designed for industrial use, specially for machine tools, to carry fluids such as water, coolant, light oil and other clean, non aggressive matters.

- Industrial circulation system
- Washing/cleaning system
- Filtration system

Model code

TPRK 2T ** - 13



Pump construction

Submersible vertical multistage centrifugal pump, self-priming, stub pump shaft per coupling connect with motor. Main working parts made by stainless steel.

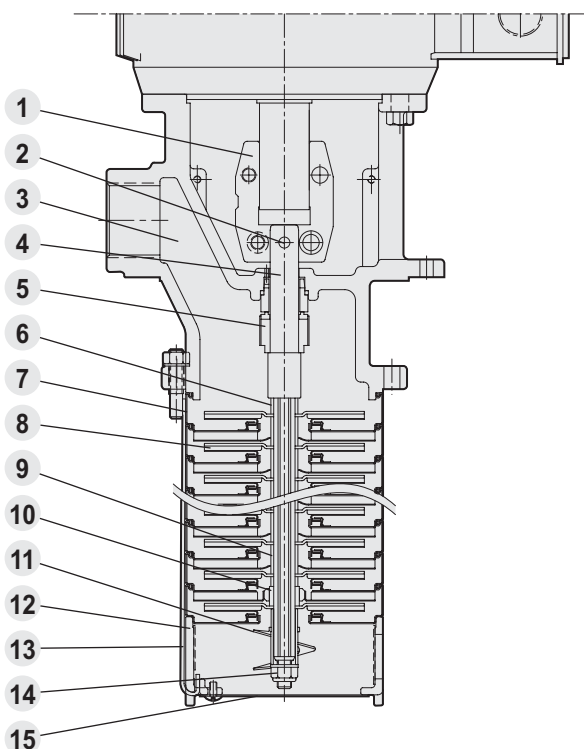
Motor

Nominal speed : 3500 / 2900 rpm
 Frequency range : 60 / 50 Hz
 Standard voltages : 3Ø 220 / 380V
 Enclosure class : IP55
 Insulation class : F.

Operation conditions

Ambient temperature : Max. +50°C
 Liquid temperature range : +0°C~+90°C
 Operating pressure : Max. 25 kg/cm²
 Submerged depth : Min. 65mm

Sectional drawing

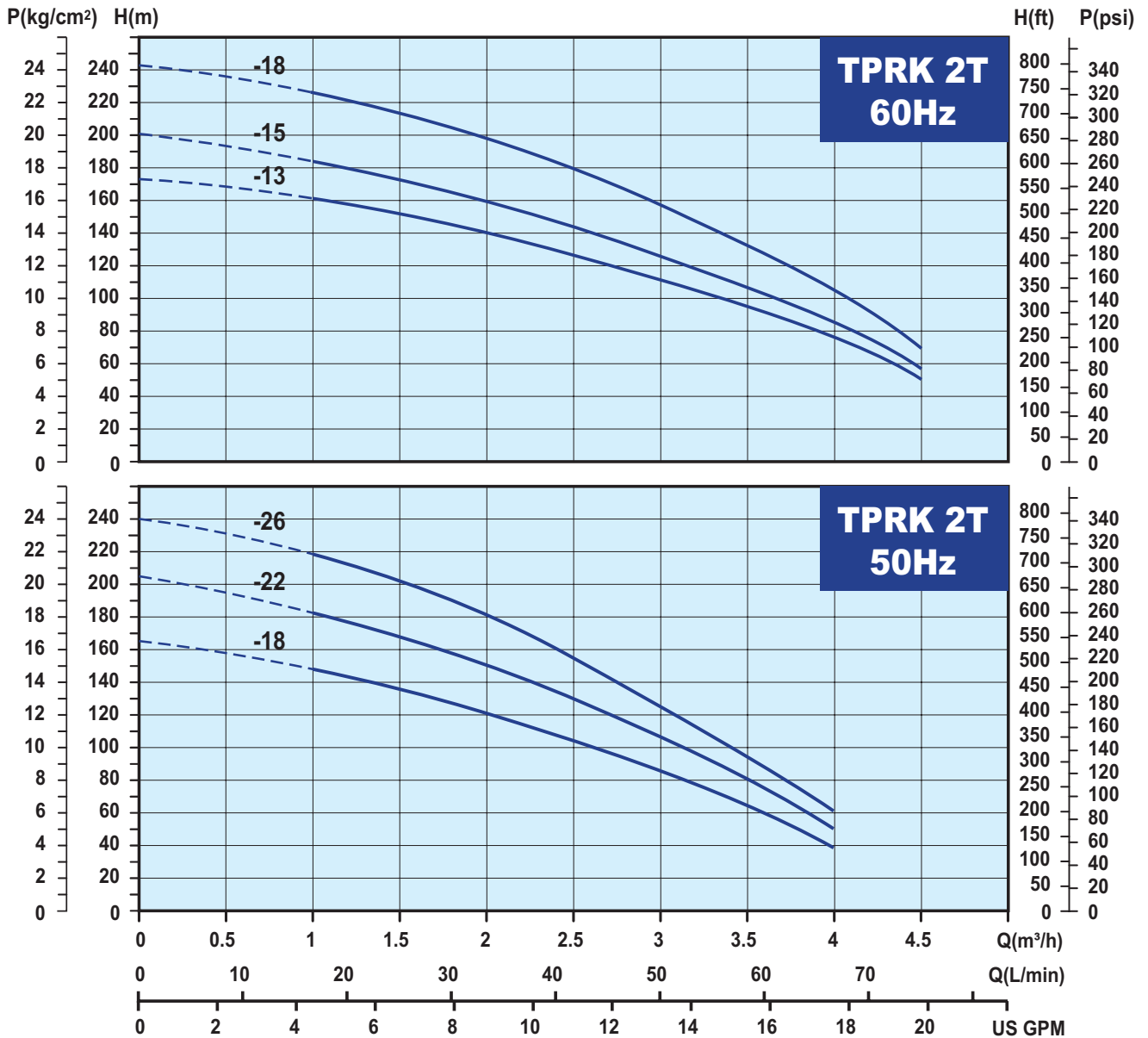


Materials

No.	Part name	Material
1	Coupling	SUS 304
2	Spring Pin	SUS 304
3	Pump Casing	FCD 45
4	Shaft	SUS 304
5	Mechanical Seal	Tungsten Carbide + Viton
6	Sleeve	SUS 304
7	Intermediate Chamber	SUS 304
8	Impeller	SUS 304
9	Sleeve (impeller)	SUS 304
10	Bearing	Tungsten Carbide
11	Priming Screw	SUS 304
12	Suction Intercon-necter	SUS 304
13	Strap	SUS 304
14	Lock Nut	SUS 316
15	Filter	SUS 304



Performance curves



Electrical data, 60Hz , 3500rpm

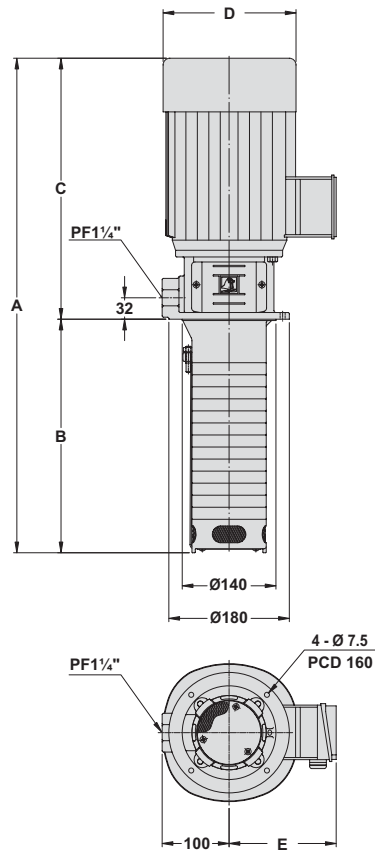
Model	PH (Ø)	Power (kW)	Volts (V)	Ampere (A)
TPRK 2T ** -13	3	3.0	220 / 380	10.3 / 5.9
TPRK 2T ** -15	3	3.0	220 / 380	10.3 / 5.9
TPRK 2T ** -18	3	4.0	220 / 380	15.0 / 8.7

Electrical data, 50Hz , 2900rpm

TPRK 2T ** -18	3	2.2	198-242 / 342-418	8.9-7.3 / 5.1-4.2
TPRK 2T ** -22	3	2.2	198-242 / 342-418	8.9-7.3 / 5.1-4.2
TPRK 2T ** -26	3	3.0	220 / 380	10.3 / 5.9

** = Number of Stages, maximum 26 stages.

Dimensions



Model	A (mm)	B (mm)	C (mm)	D (mm)	E (mm)
60Hz					
TPRK2T 13-13	792	349	443	240	180
TPRK2T 22-13	954	511	443	240	180
TPRK2T 15-15	828	385	443	240	180
TPRK2T 18-15	882	439	443	240	180
TPRK2T 22-15	954	511	443	240	180
TPRK2T 26-15	1026	583	443	240	180
TPRK2T 18-18	882	439	443	240	180
TPRK2T 22-18	954	511	443	240	180
TPRK2T 26-18	1026	583	443	240	180
50Hz					
TPRK2T 18-18	827	439	388	185	145
TPRK2T 22-22	899	511	388	185	145
TPRK2T 26-26	1026	583	443	240	180



WALRUS PUMP