

QUARTZ CRYSTAL UNITS

CRS21 SERIES



Features

- High frequency crystal oscillator is designed for 5G device applications,with compact package,size:2.0×1.6×0.5mm
- Frequency :96MHz,80MHz,78MHz,100MHz etc
- Industrial standard,Operating temperature:-40~+105℃
- Excellent heat resistance and environmental characteristics
- Reflow resistance type crystal units.
- RoHS compliant/pb Free
- Applications:5G communication base station,IOT hardware,Intelligent driving,Virtual reality ,Ultra-high reliability and ultra-low delay services



Specifications

Item/Type	2016
Standard Frequency	96MHz
Vibration Mode	AT Fundamental
Load Capacitance	15pF or specify
Frequency Tolerance(at 25℃)	±10ppm, or specify
Frequency Versus Temperature Characteristics	±30ppm,or specify
Operating Temperature	-40~+105℃
Resonance Resistance(ohm)	40 ohm Max.
Storage Temperature	-40~+125℃,or specify
Shunt Capacitance	52pF Max.
Level Of Drive	400 μW Max.
Aging	±5ppm/Year Max.
Equivalent Series Resistance(ESR)	
Fundamental	
96MHz	500Ω Max.

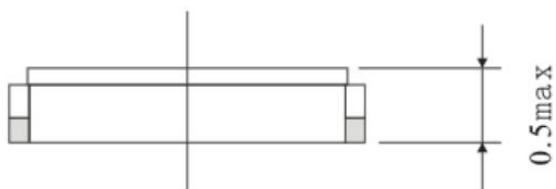
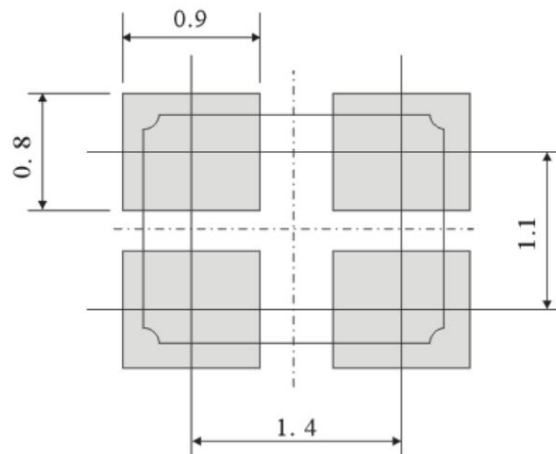
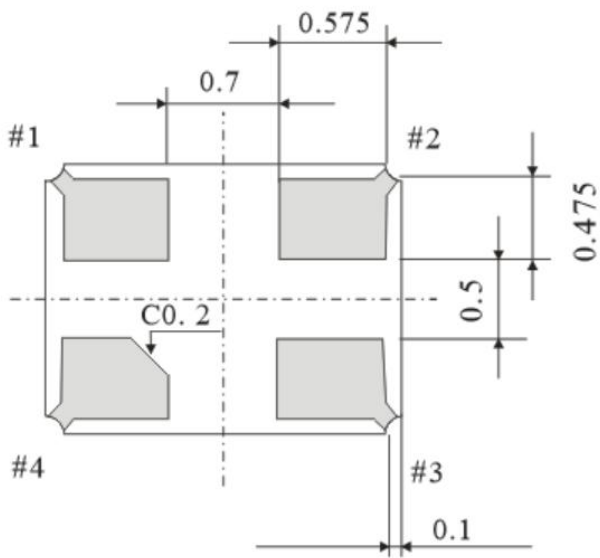
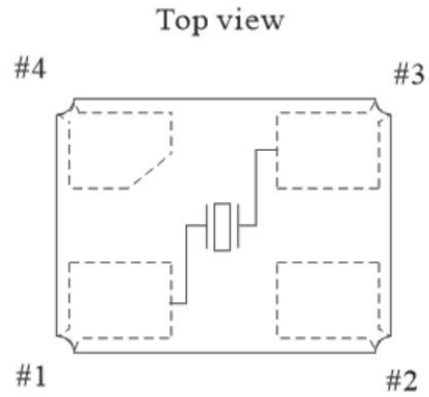
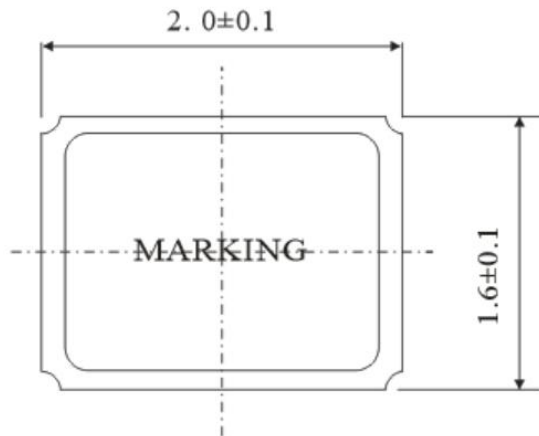
QUARTZ CRYSTAL UNITS

CRS21 SERIES



Dimensions

(Unit:mm)



PIN CONNECT	
1, 3	CRYSTAL
2,4	GND