

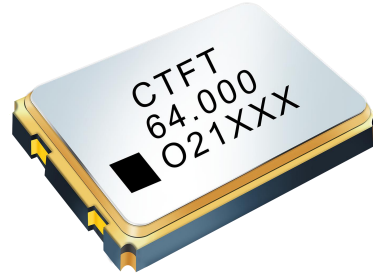
CRYSTAL OSCILLATOR

CMO2016 SERIES



Features

- External dimensions:2.0×1.6×0.85mm
- Frequency range:1~64MHz
- Low power standby mode
- Designed for standard reflow and washing techniques
- Rohs compliant/Pb Free.



Specifications

Item/Type	CMO2016
Frequency range	1~64MHz
Frequency Stability	±20ppm to 50ppm
Supply Voltage	1.8V to 3.3V
Operating Temperature Range	-40~+85℃
Storage Temperature Range	-55~+125℃
Symmetry(Duty Cycle)	45/55 Standard
Output Load	15pF Hcmos or 10TTL
Current Consumption (3.3V 15PF only)	1.000~49.999MHz=20mA Max.
	50~64.000MHz=30mA Max.
Current Consumption (1.8/2.5V/2.8V 15PF only)	1.000~49.999MHz=150mA Max.
	50~64.000MHz=25mA Max.
Rise/Fall Time	5 nS Max.

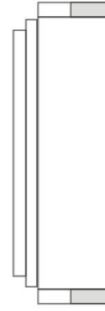
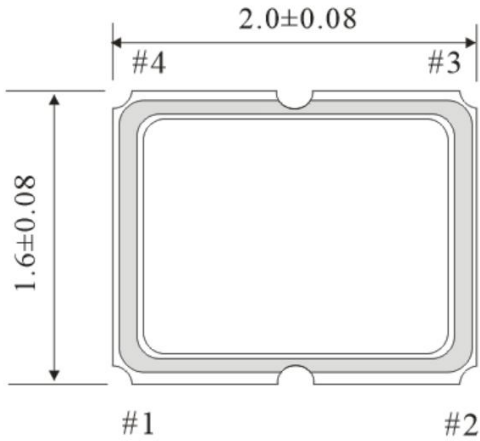
CRYSTAL OSCILLATOR

CMO2016 SERIES

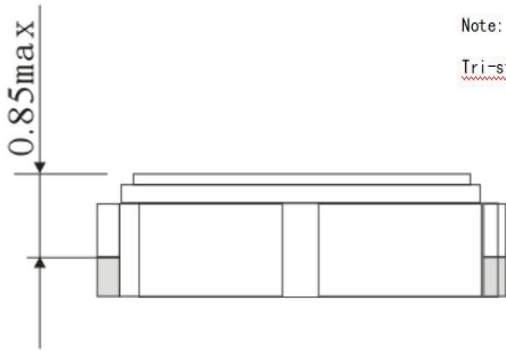


Dimensions

(Unit:mm)



PIN	FUNCTION
1	T/S
2	GND
3	OUT
4	VDD



Note:

Tri-state: PIN 1 connected to Vdd or floating, the product is working properly; connected to GND, stops working

