

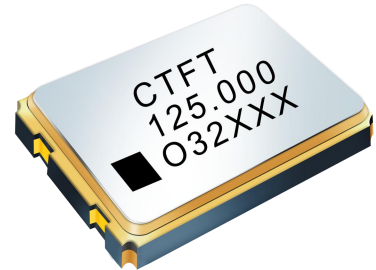
CRYSTAL OSCILLATOR

CMO3225 SERIES



Features

- Frequency range :1~125MHz
- Tight frequency tolerance
- PIn-compatible with standard 3.2*2.5mm packages
- Designed for standard reflow and washing techniques
- Low power standby mode
- Pb-free and ROHS/Green compliant
- Applications:network adapter cards, Electricity meter ,Ethernet, Industrial computer etc.



Specifications

Item/Type	CMO3225
Frequency range	1~125MHz
Frequency Stability	±20ppm to 50ppm
Supply Voltage	1.8V to 3.3V
Operating Temperature Range	-40~+85℃
Storage Temperature Range	-55~+125℃
Symmetry(Duty Cycle)	40/60 Standard
Output Load	15pF Hcmos or 10TTL
Current Consumption (5V 15PF only)	1.000~49.999MHz=25mA Max.
	50~125.000MHz=80mA Max.
Current Consumption (1.8~3.3V 15PF only)	1.000~49.999MHz=20mA Max.
	50~125.000MHz=60mA Max.
Rise/Fall Time	5 nS Max.

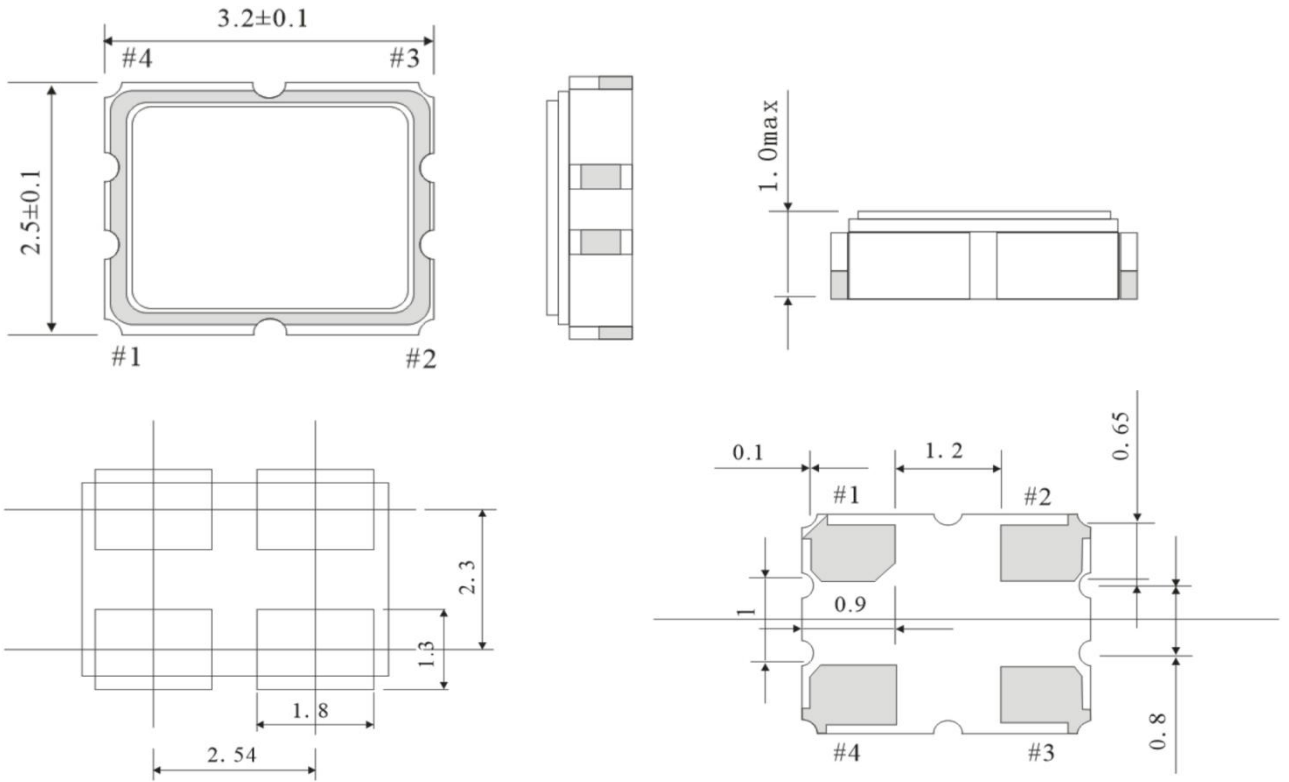
CRYSTAL OSCILLATOR

CMO3225 SERIES



Dimensions

(Unit:mm)



Test Circuit

PIN	FUNCTION
1	Tri-state*(See Notes)
2	Ground
3	Output
4	Vdd

