

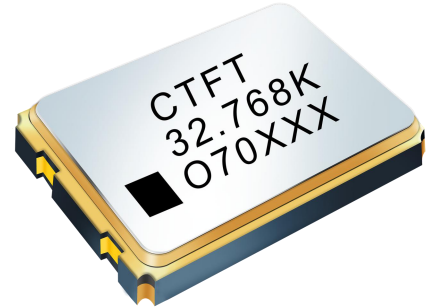
CRYSTAL OSCILLATOR

CMO7050 SERIES



Features

- External dimensions:7.0×5.0×1.4mm
- Frequency range:1~150MHz,CMOS compatible logic levels
- High precision characteristic covering up to high frequency range
- Low jitter and tight stability with fundamental or overtone design
- Low power standby mode,Output Tri-state function
- Rohs compliant/Pb Free
- Applications for Blue tooth,GPS,Ethernet,Fiber channel etc.



Specifications

Item/Type	CMO7050
Frequency Range	1~150MHz
Vibration Mode	AT Fundamental
Frequency Stability	± 20ppm to ± 50ppm
Supply Voltage	1.8V to 5V
Load Capacitance	15pF
Current Consumption (5V, 15PF only)	1 to 35.999MHz=25mA Max.
	36 to 69.999MHz=60mA Max.
	70 to 150MHz=80mA Max.
Current Consumption (1.8~3.3V, 15PF only)	1 to 35.999MHz=20mA Max.
	36 to 69.999MHz=40mA Max.
	70 to 150MHz=60mA Max.
Operating Temperature	-40~+85℃,or specify
Storage Temperature	-55~+125℃,or specify
Rise(Tr)/Fall (Tf) Time	5nS Max.
Symmetry(Duty Cycle)	40/60 Standard

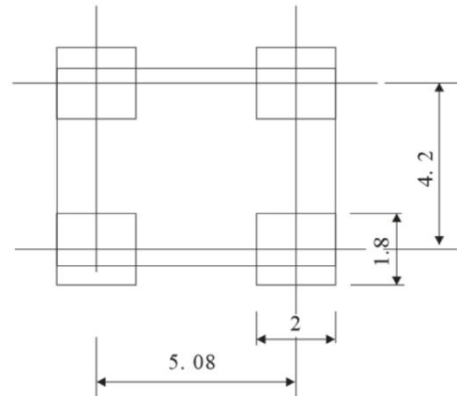
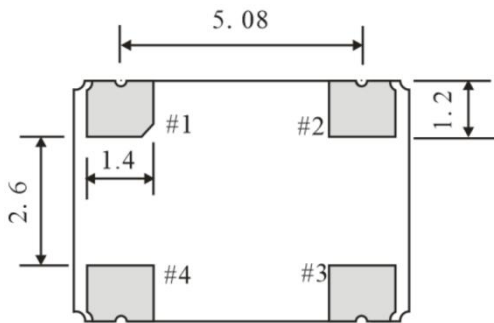
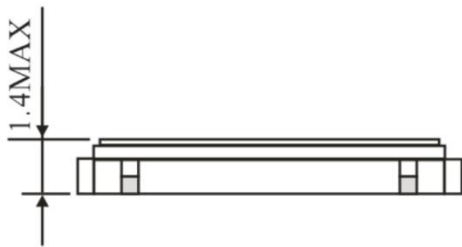
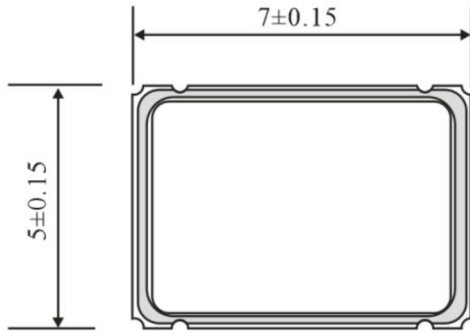
CRYSTAL OSCILLATOR

CMO7050 SERIES



Dimensions

(Unit:mm)

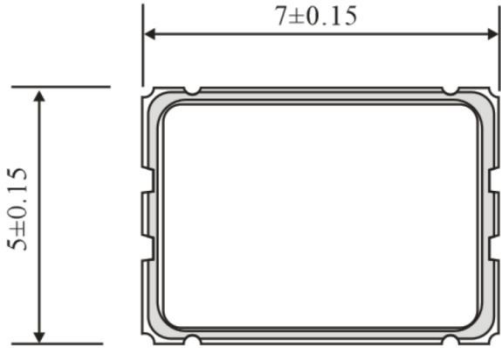


CRYSTAL OSCILLATOR

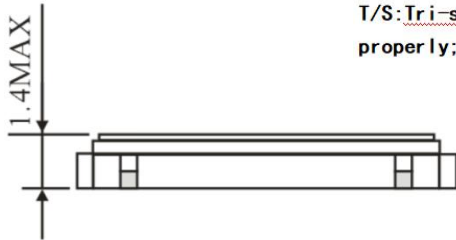
CMO7050 SERIES



For Third Overtone



PIN	FUNCTION
1	T/S
2	GND
3	OUT
4	VDD



T/S:Tri-state, PIN 1 connected to VDD or floating, the product is working properly; connected to GND, stops working

