

CRYSTAL OSCILLATOR

CMO7050T SERIES



Features

- External dimensions:7.0×5.0×1.4mm
- Standard Frequency:32.768kHz
- Excellent frequency stability over wide temperature range realized by third-order temperature characteristics specific to AT-cut crystal
- Reflow soldering
- Rohs compliant/Pb Free
- Applications for Blue tooth,GPS,Ethernet,Fiber channel etc.

Specifications

Item/Type	CMO7050T
Output Type	CMOS/TTL
Standard Frequency	32.768KHz
Vibration Mode	AT Fundamental
Load Capacitance	15pF
Supply Voltage	1.8V to 3.3V
Frequency Tolerance(at 25℃)	±10ppm to ±30ppm
Operating Temperature	-40~+85℃,or specify
Storage Temperature	-55~+125℃,or specify
Rise(Tr)/Fall (Tf) Time	130nS Max.
Supply Current	90uA Max.
Symmetry	45~55%
Start-up Time	10 mS Max.
Frequency Aging (at 25 ℃)	±3ppm/year Max.

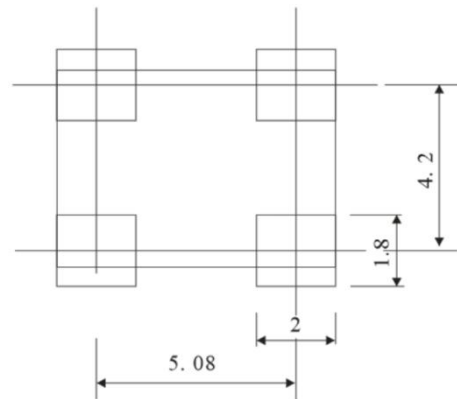
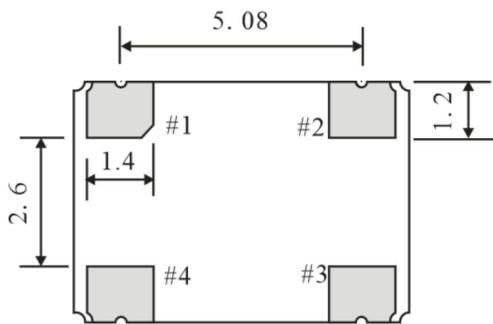
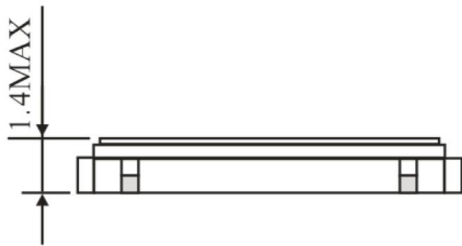
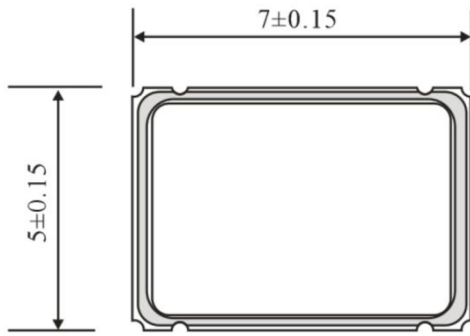
CRYSTAL OSCILLATOR

CMO7050T SERIES



Dimensions

(Unit:mm)

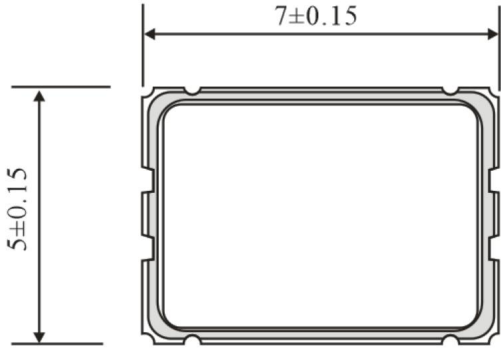


CRYSTAL OSCILLATOR

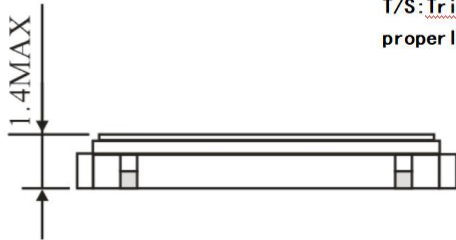
CMO7050T SERIES



For Third Overtone



PIN	FUNCTION
1	T/S
2	GND
3	OUT
4	VDD



T/S: Tri-state, PIN 1 connected to VDD or floating, the product is working properly; connected to GND, stops working

